




-  VOLT WRAS Approved Lugged Butterfly Valve
-  VOLT WRAS Approved Lugged Absperrklappe
-  SADA VOLTIOS Aprobados válvula de mariposa Lugged

- 1 1/2" - 24" Butterfly Valve in Ductile Iron and Stainless Steel Disc
- 1 1/2" - 24" Absperrklappe in Sphäroguss und Edelstahl Disc
- 1 1/2" - 24" válvula de mariposa en hierro dúctil y disco de acero inoxidable

WRAS Lugged Pattern Butterfly Valve



- Lugged and Tapped
- Lever or Gearbox Options
- 1 1/2" to 24" to fit
- PN16 up to 12" WRAS Approved
- PN10 14" and above Not WRAS Approved but same materials

DESCRIPTION

VOLT- WRAS general purpose Lugged and Tapped butterfly valve. Blue epoxy coated ductile iron body. EPDM Liner, Stainless steel Disc, notched (throttling) locking lever operator up to 12", with gearbox operation above 12". The valve has an ISO 5211 top works for direct mount of electric or pneumatic actuators. Rated PN16 Complies with 97/23/CE (PED) Directive CE 1115



Description

Butterfly valve having EPDM liner, stainless steel disc and shaft. Lugged and Tapped EPDM liner. Suitable to fit in between flanges PN16. This valve is approved for water distribution and supply, WRAS Certificate. Applications include industrial and water processes industries.



Beschreibung

Absperrklappe mit EPDM- Einlage , Edelstahlscheibe und Welle . Geschleppt und Gewinde EPDM Liner. Passend zwischen Flansche PN16 passen. Dieses Ventil ist für die Wasserverteilung und -versorgung , WRAS -Zertifikat genehmigt . Einsatzgebiete sind industrielle Prozesse und Wasser -Industrie.



Descripción

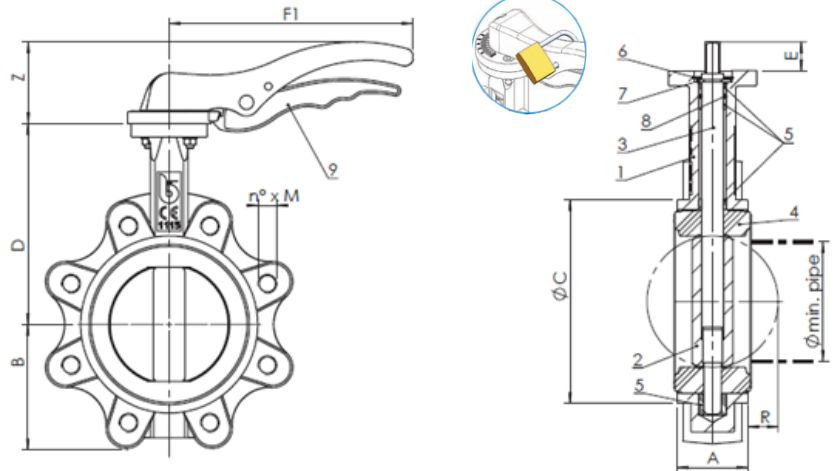
Válvula de mariposa con revestimiento EPDM , disco de acero inoxidable y el eje. Tacos y roscada revestimiento EPDM . Adecuado para encajar entre bridas PN16 . Esta válvula está aprobada para distribución de agua y el suministro , Certificado SADA . Las aplicaciones incluyen procesos industriales y de agua industrias.



-  VOLT Series Lugged Pattern Butterfly Valve
-  VOLT Serie Lugged Muster Absperrklappe
-  La válvula de mariposa del patrón VOLT Serie Lugged

Lugged Pattern Butterfly Valve

These valves are suitable for heating and conditioning (HVAC), water treatment and water distribution, industrial applications, agricultural purposes for compressed air, gas, oils and hydrocarbons.



Dimensions with Lever

SIZE	A	ØC	D	B	F1	Z	R	Ømin pipe	n* x m
1 1/2"	33	82	116	63	170	50	5	27	4 x M16
2"	43	89	126	62	170	50	5	31	4 x M16
2 1/2"	46	102	136	69	170	50	9	45	4 x M16
3"	46	118	150	90	206	69	17	65	8 x M16
4"	52	150	170	106	206	69	26	90	8 x M16
5"	56	174	180	119	385	90	34	110	8 x M16
6"	56	205	200	131	385	90	50	146	8 x M16
8"	60	260	230	166	400	72	71	194	12 x M20
10"	68	318	266	202	530	72	91	241	12x M24

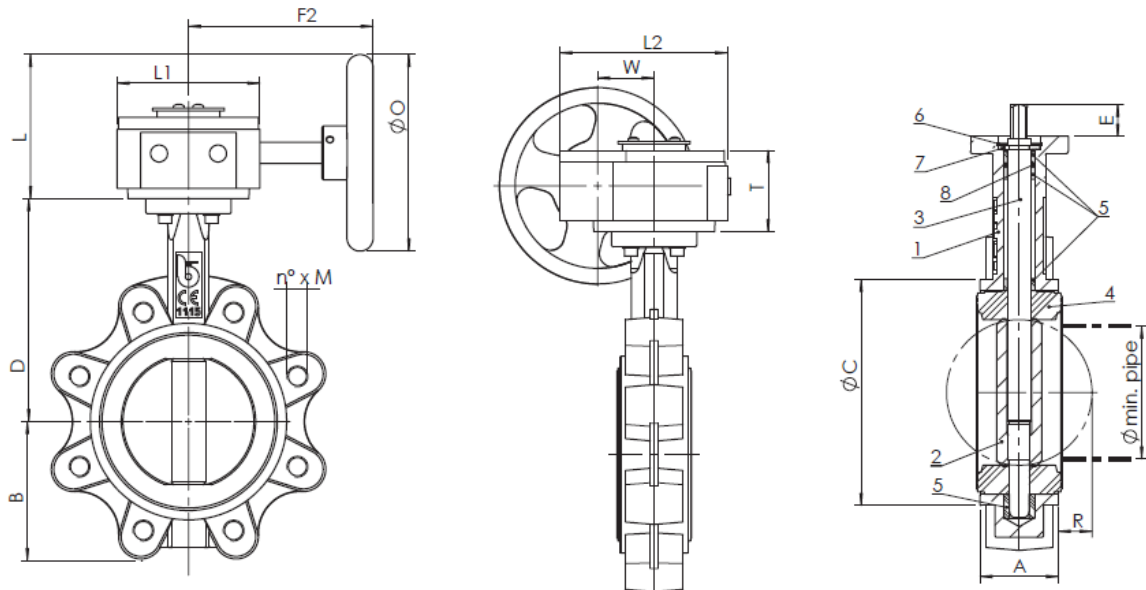
Material List

Body	Epoxy Coated Ductile Iron
Disc	Stainless Steel
Liner	EPDM, NBR, FKM, PTFE
Shaft	Stainless Steel
Bushing	PTFE
Washer	Galvanised Carbon Steel
CirClip ISO 3075	Steel
O-Ring	Viton
Lever	Aluminium up to 6" Ductile Iron 8" & Above
Bolts	Galvanised Carbon Steel

WRAS
APPROVED
PRODUCT

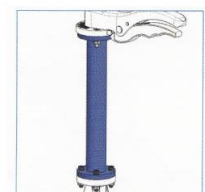
-  VOLT Series Lugged Pattern Butterfly Valve
-  VOLT Serie Lugged Muster Absperrklappe
-  La válvula de mariposa del patrón VOLT Serie Lugged

Lugged Pattern Butterfly Valve



Dimensions with Gearbox

SIZE	A	ØC	D	B	F2	L	T	L1	L2	W	ØO	R	Ø min pipe	n* x m
1 1/2"	33	82	116	63	170	102.5	65	110	130	45	150	5	27	4 x M16
2"	43	89	126	62	170	102.5	65	110	130	45	150	5	31	4 x M16
2 1/2"	46	102	136	69	170	102.5	65	110	130	45	150	9	45	4 x M16
3"	46	118	150	90	170	102.5	65	110	130	45	150	17	65	8 x M16
4"	52	150	170	106	170	102.5	65	110	130	45	150	26	90	8 x M16
5"	56	174	180	119	170	102.5	65	110	130	45	150	34	110	8 x M16
6"	56	205	200	131	170	102.5	65	110	130	45	150	50	146	8 x M16
8"	60	260	230	166	235	190	78	155	176	63	300	71	194	12 x M20
10"	68	318	266	202	226	190	80	170	195	81	300	91	241	12x M24
12"	78	376	292	235	226	190	80	170	195	81	300	112	291	12x M24
14"	78	406	335	257	226	190	80	170	195	81	300	128	324	16 x M24
16"	102	471	360	292	226	190	80	170	195	81	300	144	379	16 x M24
18"	114	539	422	318	216	183	80	151	188	80	285	163	428	20 x M24
20"	127	594	480	355	256	311	125	214	275	168	285	182	475	20 x M24
24"	154	695	532	444	285	386	136	262	324	293	385	219	573	20 x M27

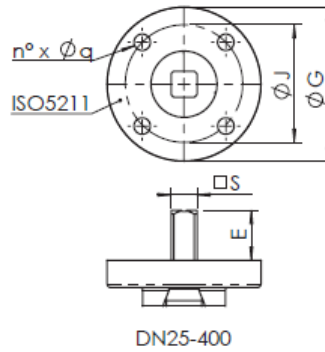


EPDM is a standard seat material offered in our resilient-seated. Up to 120 deg C Intermittent butterfly valves. It is one of the most universal and economical seat materials.

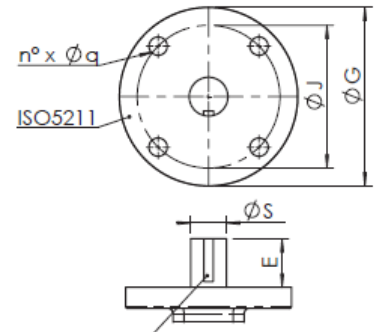
-  VOLT Series Lugged Pattern Butterfly Valve
-  VOLT Serie Lugged Muster Absperrklappe
-  La válvula de mariposa del patrón VOLT Serie Lugged

Lugged Pattern Butterfly Valve

These valves are suitable for heating and conditioning (HVAC), water treatment and water distribution, industrial applications, agricultural purposes for compressed air, gas, oils and hydrocarbons.



DN25-400



Parallel key ISO R773 / DIN6885A

DN450-600

Dimensions								Weights	
SIZE	ISO	ØG	ØJ	n'xØq	□S	E	ØS	With Lever	With Gearbox
1 1/2"	F05	65	50	4X7	9	21		1.8	5.4
2"	F05	65	50	4X7	9	21		2.7	5.8
2 1/2"	F05	65	50	4X7	9	21		3.5	6.1
3"	F05	65	50	4X7	11	21		4	6.4
4"	F05	65	50	4X7	11	21		4.8	7
5"	F07	90	70	4X9	14	27		7.3	8.1
6"	F07	90	70	4X9	14	27		8.2	9.6
8"	F10	125	102	4X11	17	27		15	16
10"	F12	150	125	4X13	27	27		23.8	22
12"	F12	150	125	4X13	27	27		32	33
14"	F12	150	125	4X13	27	27			42
16"	F12	150	125	4X13	27	27			60
18"	F14	175	140	4X18		51	38		107
20"	F14	175	140	4X18		64	41.2		156
24"	F16	210	165	4X22		70	50.7		231

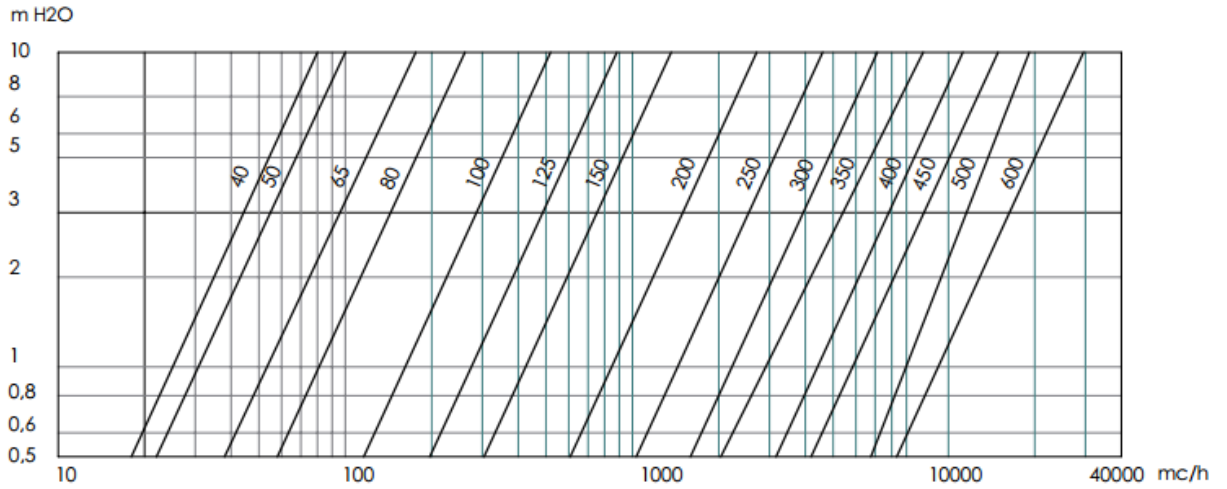
Pressure / Temperature	
Pressure	1 1/2" - 12" - PN16
	14" - 24" - PN10
Temperature	EPDM -10 °C to 120 °C This Product is WRAS Approved
	NBR -10 °C to 80 °C
	FKM (Viton) -10 °C to 120 °C
	PTFE -10 °C to 120 °C



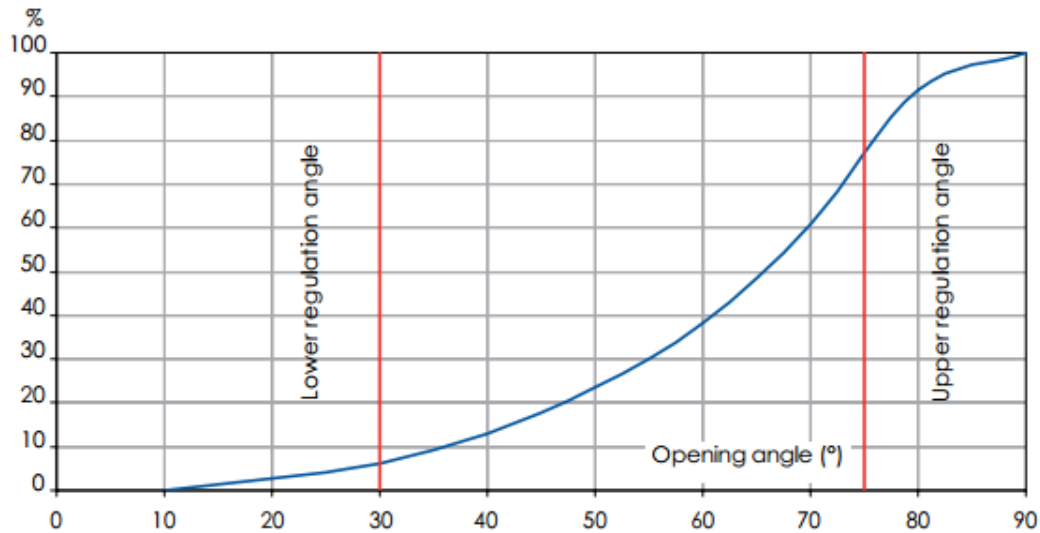
-  VOLT Series Lugged Pattern Butterfly Valve
-  VOLT Serie Lugged Muster Absperrklappe
-  La válvula de mariposa del patrón VOLT Serie Lugged

Lugged Pattern Butterfly Valve

Head loss Fluid: water (1m H2O = 0,098bar) - Head loss with shutter fully opened



Flow rate / opening position chart Flow percentage on the flow at full opening under the same loss of head.



-  VOLT Series Lugged Pattern Butterfly Valve
-  VOLT Serie Lugged Muster Absperrklappe
-  La válvula de mariposa del patrón VOLT Serie Lugged

Lugged Pattern Butterfly Valve

INSTALLATION AND TRANSPORT

- Keep in dry and closed place.
- While stored, the disc must be partially open (Fig. 1).
- Avoid knocks, take special care to protect lever, hand wheel, gear boxes/actuators.
- Do not use lever or hand wheel to lift the valve.

MAINTENANCE

The valve does not require maintenance.

RECOMMENDATIONS

Before carrying out maintenance or dismantling the valve, be sure that the pipes, valves and liquids have cooled down, that the pressure has decreased and that the lines and pipes have been drained in case of toxic, corrosive, inflammable or caustic liquids.

Temperatures above 50°C and below 0°C might cause damage to people.

INSTALLATION

- Handle with care.
- Do not weld the flanges to the piping after installing the valve.
- Water hammers might cause damage and ruptures. Inclination, twisting and misalignments of the piping may subject the valve to stress, once installed. It is recommended that elastic joints be used in order to reduce these effects as much as possible. The disc must be partially open (Fig. 1).

FIG. 1

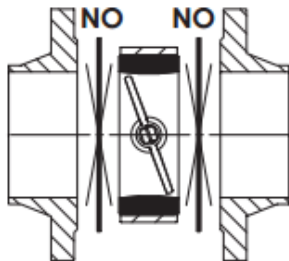


FIG. 2

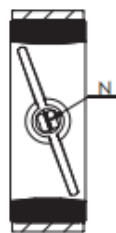
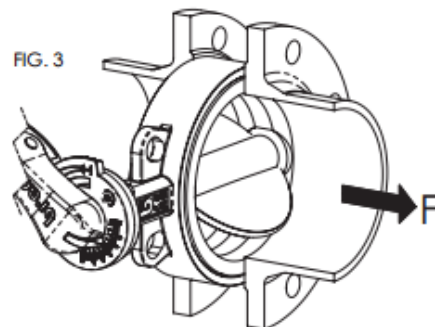


FIG. 3



The stem has a machined notch N (Fig. 2), which indicates the position of the disc; consider this indication, in order to mount the levers and actuators correctly.

The mounting can be made with the stem axis in a horizontal or vertical position. In case the fluid contains suspended solid particles (for example, sand, impurities, etc.) or solid particles that may leave deposits, it is recommended that the valve be installed with its axis horizontal, and in such a way that the bottom end of the disc opens in the direction of flow, F. (Fig. 3)

The item L9 allows the dismantling of the pipes downstream, for pressures below 6 bar. For end of line installation:

- SERIES J9 (all pressures), series L9 (pressure > 6 bar): counter flange **MUST** be installed
- SERIES L9 (pressure < 6 bar): it is recommended that a counter flange be installed.

Verify maximum working pressure and limits of use under section "maximum pressure".

Place the valve between two flanges. While placing the valve, ensure there is sufficient space in order in order not to damage the rubber. Do not mount seals between valve and flanges (Fig. 1). Carefully clean the contact surface. Do not install the butterfly valve in direct contact with a rubber surface (for example, expansion joints); the best installation is when the rubber is in contact with metal (Fig. 4).

In order to achieve correct working, the internal diameter of the pipe must be greater than the value indicated in the chart. Do not weld the flanges to the tube if the valve has already been installed. It is recommended that the flanges listed in the chart be used. As far as possible, avoid flat flanges for welding (EN 1092 01 type); if these flanges are used, ensure perfect centring between the flange and valve, and be sure to weld exactly edgewise to the flange. Do not let protrusions or sharp edges on the piping cause damage to the rubber surface of the valve (Fig. 5).

FIG. 4

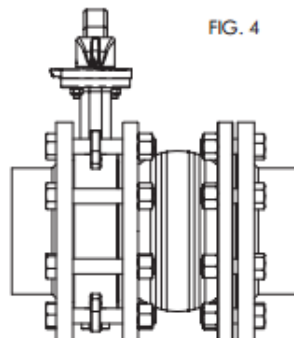
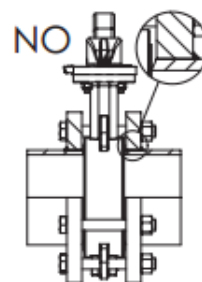


FIG. 5



-  VOLT Series Lugged Pattern Butterfly Valve
-  VOLT Serie Lugged Muster Absperrklappe
-  La válvula de mariposa del patrón VOLT Serie Lugged

Lugged Pattern Butterfly Valve

Centre the valve on holes while using wafer type valves.
Tighten the bolts crosswise and progressively, in order to distribute the pressure equally before the body and flanges come into contact with each other. (Fig. 6)

With regard to the Lug version, check that the screws are the correct length, in order to allow complete compression of the lining rubber.

Turbulences of the fluid might increase erosion and reduce the life-cycle of the valve. Install the valve at a distance of at least 1 x DN upstream, and at a distance of 2-3 x DN downstream, away from fittings or bends.

In the open position, the valve is larger than the nominal Face to Face value.

Check that no other components of the piping interfere or create damage or malfunction (Fig. 7A).

If they do, a spacer should be inserted for the valve to operate correctly (Fig. 7B).

