





SKU: CV4665

-  VOLT Swing Pattern Check Valve Flanged PN16
-  VOLT Stainless Steel Rückschlagklappe - PN16
-  VOLT Acero inoxidable Columpio Válvula de retención - PN16
-  VOLT Acier inoxydable swing Clapet - PN16

**Valves**<sup>™</sup>  
O N L I N E

- 1/2" - 8" Swing Check Valve Flanged PN16 BS4504 DIN
- 1/2" - 8" Rückschlagklappe mit Flansch PN16 BS4504 DIN
- 1/2" - 8" Oscilación Válvula de retención con bridas PN16 BS4504 DIN
- 1/2" - 8" Balançoire Vérifiez bride Valve PN16 BS4504 DIN

STAINLESS STEEL

PN16 – Stainless Steel  
Swing Check Valve



- **PN16 Rated**
- **-20°C to 200°C**
- **Fluids: Oil & Water**
- **Easy to Install**
- **Face to Face dimensions in accordance with DIN 3202/F1.**

#### Description:

ASTM A351 CF8M 316 Stainless Steel Body, Cover and Disc.  
316 Stainless Steel Trim.  
PTFE Cover Seal. Bolted Cover design.  
Face to Face dimensions in accordance with DIN 3202/F1.  
16 bar pressure rated. -20 / +200 Temp rated.  
Flanged DIN PN10/16 end connections.  
CE marked in accordance with the PED 97/23/EC (from 1 1/4").  
Atex compliant.



#### Description

Flanged PN16 Stainless Steel Swing Check Valve. CE marked in accordance with the PED 97/23/EC (from 1 1/4"). Atex compliant. The valve has a low pressure drop Test standard API 598. Temperature -20°C to 200°C



#### Beschreibung

Mit Flansch PN16 Edelstahl Rückschlagklappe . CE entsprechend der PED 97/23 / EG ( 1 1/4 " ) gekennzeichnet. Atex -konform. Das Ventil hat einen geringen Druckabfall Prüfnorm API 598 . Temperatur -20 ° C bis 200 ° C



#### Descripción





Con bridas PN16 acero inoxidable Columpio válvula de retención . La marca CE de conformidad con el PED 97/23 / CE (de 1 1/4 " ) . Atex compatible . La válvula tiene una baja caída de presión de prueba estándar API 598 . Temperatura -20°C a 200°C



#### Description

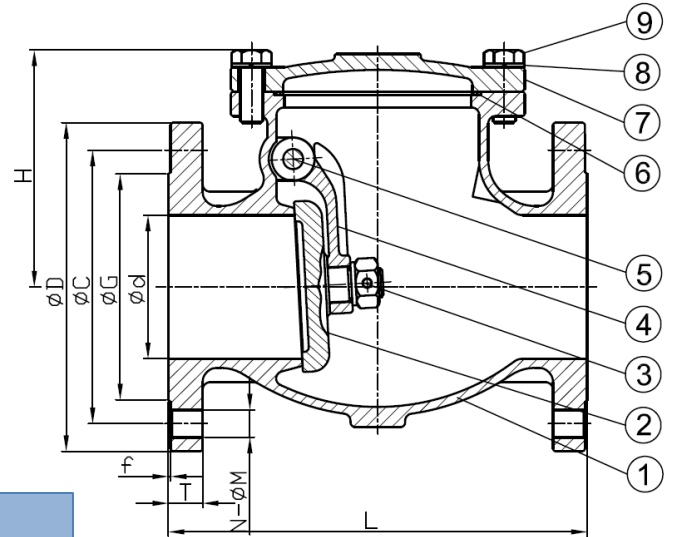
Brides PN16 Acier inoxydable Clapet swing . Le marquage CE conformément à la PED 97/23 / CE (de 1 1/4 " ) . Atex conforme. La vanne a une faible chute de pression d'essai de la norme API 598 .  
Température -20°C à 200°C

ATEX COMPLIANT

-  VOLT Swing Pattern Check Valve Flanged PN16
-  VOLT Stainless Steel Rückschlagklappe - PN16
-  VOLT Acero inoxidable Columpio Válvula de retención - PN16
-  VOLT Acier inoxydable swing Clapet - PN16

## Stainless Steel Flanged Swing Check Valve – PN16

**FEATURES**  
**FACE – FACE DIMENSION : DIN 3202-F1**  
**END FLANGE DIMENSIONS : DIN 2633**  
**DESIGN : ANSI B16.34**  
**TEST : EN 12266-1**  
**INVESTMENT CAST BODY**






Material List		
Item	Description	Material
1	Body	Stainless Steel 1.4308 & 1.4408
2	Bonnet	Stainless Steel 1.4308 & 1.4408
3	Nut	SUS304
4	Hinge	Stainless Steel 1.4308 & 1.4408
5	Hinge Pin	Stainless Steel 1.4308 & 1.4408
6	Gasket	PTFE / 304 + Graphite
7	Bonnet	Stainless Steel 1.4308 & 1.4408
8	Spring Washers	SS304
9	Bonnet Bolts	SS304

TEST PRESSURE	
SHELL (BY WATER)	345 PSI
	24kg/cm <sup>2</sup>
SEAT	BY WATER
	250 PSI
BY AIR	17.5kg/cm <sup>2</sup>
	85 PSI
	6kg/cm <sup>2</sup>

Dimensions									
DN	Size	d	L	H	D	C	G	f	T
15	1/2"	15	130	51	95	65	45	2	14
20	3/4"	20	150	54	105	75	58	2	16
25	1"	25	160	64	115	85	68	2	16
32	1 1/4"	32	180	68	140	100	78	2	16
40	1 1/2"	40	200	75	150	110	88	3	16
50	2"	50	230	97	165	125	102	3	18
65	2 1/2"	65	290	111	185	145	122	3	18
80	3"	80	310	120	200	160	138	3	20
100	4"	100	350	162	220	180	158	3	20
125	5"	125	400	179	250	210	188	3	22
150	6"	150	480	203	285	240	212	3	22
200	8"	200	600	236	340	295	268	3	24
250	10"	250	730	302	405	355	320	3	26
300	12"	300	850	340	460	410	378	4	28

SKU: CV4665

-  VOLT Swing Pattern Check Valve Flanged ANSI 150
-  VOLT Stainless Steel Rückschlagklappe - ANSI 150
-  VOLT Acero inoxidable Columpio Válvula de retención - ANSI 150
-  VOLT Acier inoxydable swing Clapet - ANSI 150

**Valves**<sup>™</sup>  
O N L I N E

- 1/2" - 6" Swing Check Valve Flanged ANSI 150
- 1/2" - 6" Rückschlagklappe mit Flansch ANSI 150
- 1/2" - 6" Oscilación Válvula de retención con bridas ANSI 150
- 1/2" - 6" Balançoire Vérifiez bride Valve ANSI 150

STAINLESS STEEL

ANSI 150 – Stainless  
Steel Swing Check Valve



- **Class 150 Pressure Rated**
- **-20°C to 200°C**
- **Fluids: Oil & Water**
- **Easy to Install**
- **Face to Face dimensions with ANSI B16 .10**

#### Description:

ASTM A351 CF8M 316 Stainless Steel  
Body, Cover and Disc.  
316 Stainless Steel Trim.  
PTFE Cover Seal. Bolted Cover Design.  
Face to Face dimensions in accordance  
with ANSI B16.10  
Class 150 pressure rated. -20 / +200 deg  
C Temp rated.  
Flanged ANSI 150 end connections.  
CE marked in accordance with the PED  
97/23/EC (from 1 1/2").  
Atex compliant



#### Description

Flanged ANSI 150 Stainless Steel Swing Check Valve. CE marked in accordance with the PED 97/23/EC (from 1 1/2"). Atex compliant. The valve has a low pressure drop Test standard API 598. Design API 6D  
Temperature -20°C to 200°C



#### Beschreibung

Mit Flansch ANSI 150 Stainless Steel Rückschlagklappe . CE entsprechend der PED 97/23 / EG ( 1 1/2 " ) gekennzeichnet. Atex -konform. Das Ventil hat einen geringen Druckabfall Prüfnorm API 598. Design API 6D  
Temperatur -20 ° C bis 200 ° C



#### Descripción

Con bridas ANSI 150 acero inoxidable Columpio válvula de retención . La marca CE de conformidad con el PED 97/23 / CE (de 1 1/2 " ) . Atex compatible . La válvula tiene una API estándar de prueba de caída de baja presión 598. Diseño API 6D  
Temperatura -20°C a 200°C



#### Description

Brides ANSI 150 en acier inoxydable Clapet swing . Le marquage CE conformément à la PED 97/23 / CE (de 1 1/2 " ) . Atex conforme. La vanne a un test de chute API standard basse pression 598. Conception API 6D  
Température -20°C à 200°C

ATEX COMPLIANT

-  VOLT Swing Pattern Check Valve Flanged ANSI 150
-  VOLT Stainless Steel Rückschlagklappe - ANSI 150
-  VOLT Acero inoxidable Columpio Válvula de retención - ANSI 150
-  VOLT Acier inoxydable swing Clapet - ANSI 150

## Stainless Steel Flanged Swing Check Valve – ANSI 150

### FEATURES

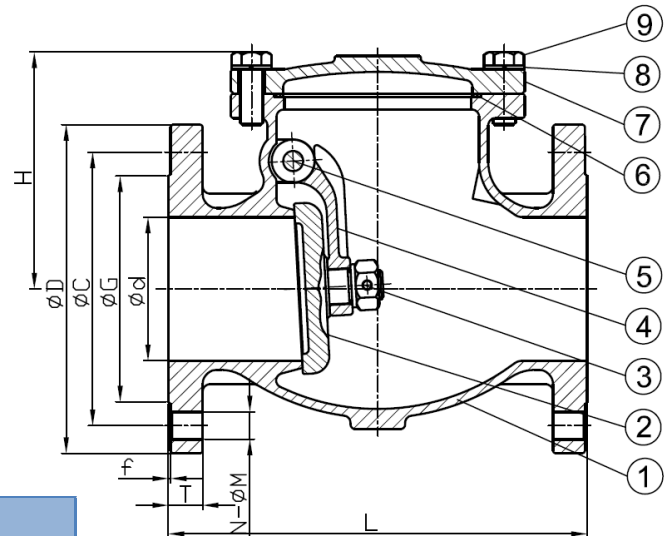
**FACE – FACE DIMENSION : ANSI B16.10**

**END FLANGE DIMENSIONS : ANSI B16.5**

**DESIGN : ANSI B16.34**

**TEST : API 598**

**INVESTMENT CAST BODY**



### Material List

Item	Description	Material
1	Body	CF8 / CF8M
2	Bonnet	CF8 / CF8M
3	Nut	SUS304
4	Hinge	CF8 / CF8M
5	Hinge Pin	SUS304 / SUS 316
6	Gasket	PTFE / 304 + Graphite
7	Bonnet	CF8 / CF8M
8	Spring Washers	SS304
9	Bonnet Bolts	SS304

### Dimensions

DN	Size	d	L	H	D	C	G	f	T
15	1/2"	15	108	51	89	60.5	35	1.6	12.1
20	3/4"	20	117	54	98	70	43	1.6	12.1
25	1"	25	127	64	108	79.5	51	1.6	12.1
32	1 1/4"	32	140	68	117	89.5	64	1.6	12.7
40	1 1/2"	40	165	75	127	98.5	73	1.6	14.3
50	2"	50	203	97	152	120.5	92	1.6	15.9
65	2 1/2"	65	216	111	178	139.5	105	1.6	17.5
80	3"	80	241	120	190	152.5	127	1.6	19.1
100	4"	100	292	162	229	190.5	157	1.6	23.9
125	5"	125	330	179	254	216.5	186	1.6	23.9
150	6"	150	356	203	279	241.5	216	1.6	25.4
200	8"	200	495	236	343	298.5	270	1.6	28.6
250	10"	250	622	302	406	362	324	1.6	30.2
300	12"	300	698	340	483	432	381	1.6	31.8

### TEST PRESSURE

		TEST PRESSURE
SHELL (BY WATER)		450 PSI
		32kg/cm <sup>2</sup>
SEAT	BY WATER	315 PSI
		22kg/cm <sup>2</sup>
	BY AIR	85 PSI
		6kg/cm <sup>2</sup>