



Pneumatic Actuated Sanitary Butterfly Valve

- Sizes from 1" - 4"
- Clamp, RJT or Weld Ends
- Complies with all FDA Requirements
- Stainless Steel Valve and Actuator
- Economically Priced
- Valve Fully Maintainable
- Fail Closed Feature
- Options for Switchbox/Feedback

> Description

The VOLT range of pneumatically actuated sanitary butterfly valves, which can be used in the food-processing industry for most liquid product applications. These actuated valves give fast and efficient on - off isolation. Suitable for CIP (cleaning in process). Body, disc and stem in 316L. Food grade EPDM seal fitted as standard with other materials on request.

10 bar rated -10°C to +120°C max Temp.

Sizes range from 1" - 4"

Plain weld ends to suit Imperial O/D Tube.

RJT and Clamp end options.

IDF, SMS and DIN on request.

Liners conforms to FDA Standard.

Finish to 0.6Ra on valve Disc.

Competitively priced this actuated package is used in the food and dairy, brewing and for general hygienic process applications.

> On request

Switchbox , Feedback Sensors.
C3 for 1"-3" and C101 for the 4"
See data sheet SB4502



Description

Hygienic Butterfly valves for use in Food, Dairy, Brewery and for general hygienic process applications. This valve is available with EPDM (standard), Viton, Silicone & PTFE seals. A range of end connections including Plain weld ends, RJT, Clamp. Supplied with pneumatic actuator spring return.



Beschreibung

Hygienische Absperrklappen zur Verwendung in Lebensmitteln, Milchprodukten, Brauereien und für allgemeine hygienische Prozessanwendungen. Diese Klappe ist mit EPDM- (Standard), Viton-, Silikon- und PTFE-Dichtungen erhältlich. Eine Reihe von Endverbindungen, einschließlich glatter Schweißenden, RJT, Klemme. Lieferung mit Federrückstellung des pneumatischen



Descripción

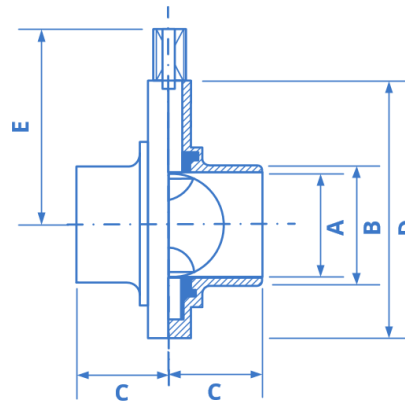
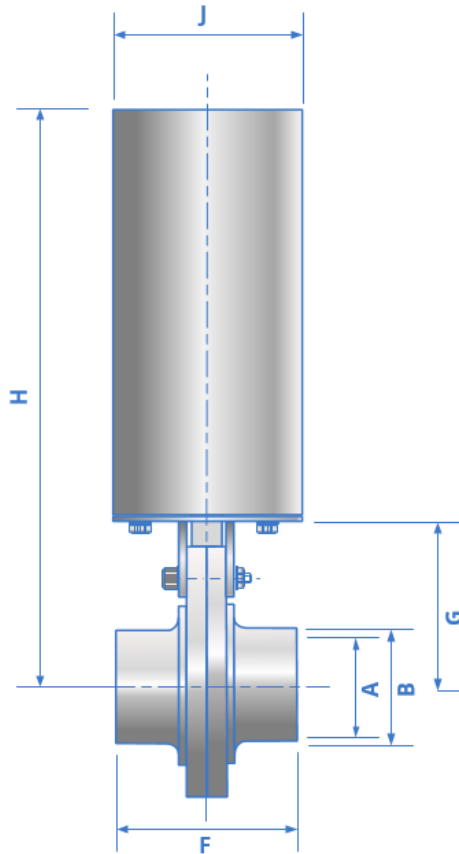
Válvulas de mariposa higiénicas para uso en alimentos, lácteos, cervecerías y para aplicaciones de procesos higiénicos generales. Esta válvula está disponible con sellos EPDM (estándar), Viton, silicona y PTFE. Una gama de conexiones finales que incluye extremos de soldadura simples, RJT, abrazadera. Se suministra con actuador neumático de retorno por resorte.



Description

Vannes papillon hygiéniques pour une utilisation dans les aliments, les produits laitiers, la brasserie et pour les applications de processus hygiéniques générales. Cette vanne est disponible avec des joints EPDM (standard), Viton, Silicone et PTFE. Une gamme de connexions d'extrémité, y compris les extrémités de soudure lisses, RJT, pince. Fourni avec retour pneumatique de l'actionneur.

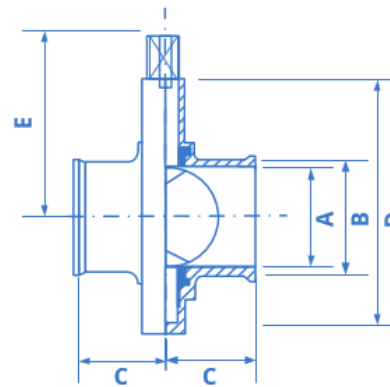
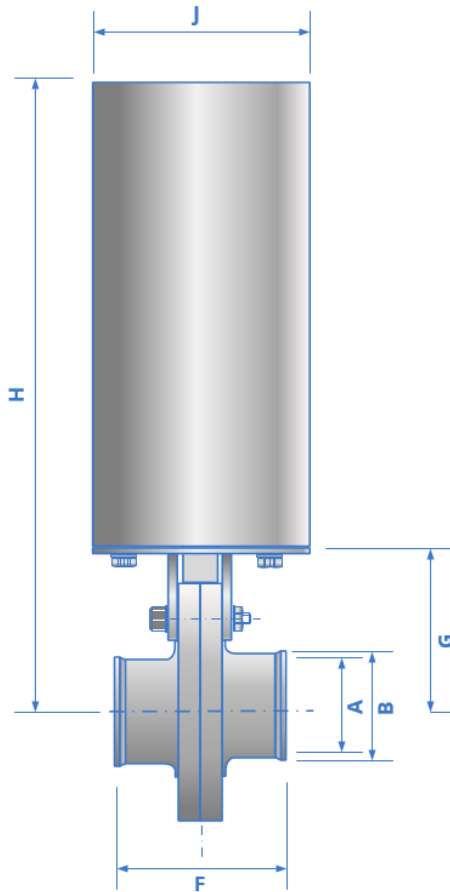
> OD Weld End



Technical Details	
Pilot pressure	5.5 -7 Bar
Valve Finish	Ra less than 0.6 µm
Pressure	10 Bar Max
Temperature	
EPDM	-40°C - 120°C
Viton	-20°C - 180°C
Silicone	-50°C - 200°C

Dimensions and weights for Pneumatic Spring Return Sanitary Butterfly Valve - Plain Weld Ends

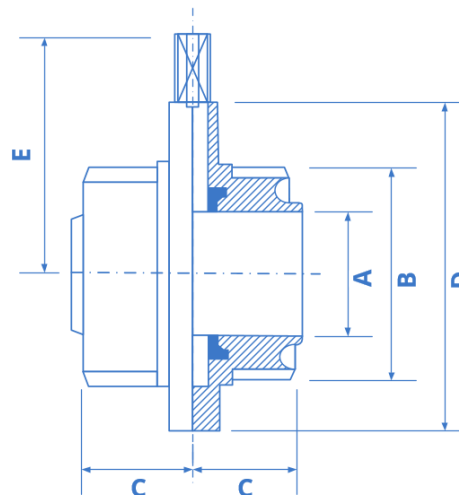
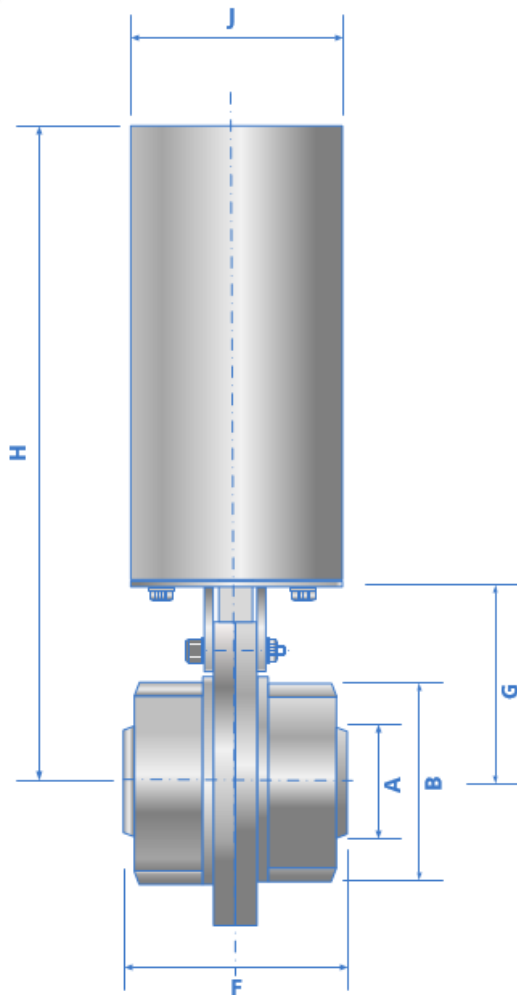
Size	A	B	C	D	E	F	Spring Return Actuator	H	J	Wt.Kg
1"	22.1	25.4	34	79	61	68	C3	214	85	4.3
1 1/2"	34.6	38.1	38	85	64.3	76	C3	217	85	4.4
2"	47.5	50.8	40	105	74.3	80	C3	227	85	5
2 1/2"	60.2	63.5	40	112	77.6	80	C3	235	85	5
3"	72.1	76.2	41	125	84.3	82	C3	238	114	9
4"	97.4	102	50	157	101	100	C101	255	114	10



Technical Details	
Pilot pressure	5.5 -7 Bar
Valve Finish	Ra less than 0.6 μm
Pressure	10 Bar Max
Temperature	
EPDM	-40°C - 120°C
Viton	-20°C - 180°C
Silicone	-50°C - 200°C

Dimensions and weights for Pneumatic Spring Return Sanitary Butterfly Valve - Clamp Ends

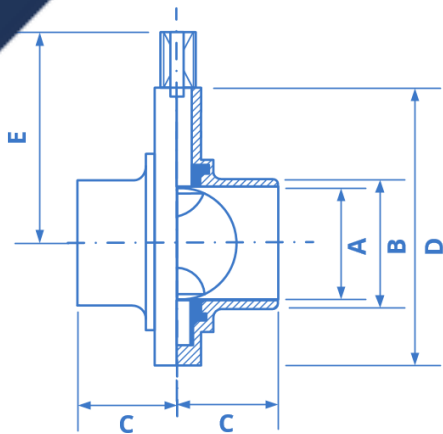
Size	A	B	C	D	E	F	Spring Return Actuator	H	J	Wt.Kg
1"	22.1	50.5	55	79	61	110	C3	214	85	4.3
1 1/2"	34.6	50.5	59	85	64.3	118	C3	217	85	4.4
2"	47.5	64	61	105	74.3	122	C3	227	85	5
2 1/2"	60.2	77.5	61	112	77.6	122	C3	235	85	5
3"	72.1	91	62	125	84.3	124	C3	238	114	9
4"	97.4	119	71	157	102	142	C101	255	114	10



Technical Details	
Pilot pressure	5.5 -7 Bar
Valve Finish	Ra less than 0.6 μm
Pressure	10 Bar Max
Temperature	
EPDM	-40°C - 120°C
Viton	-20°C - 180°C
Silicone	-50°C - 200°C

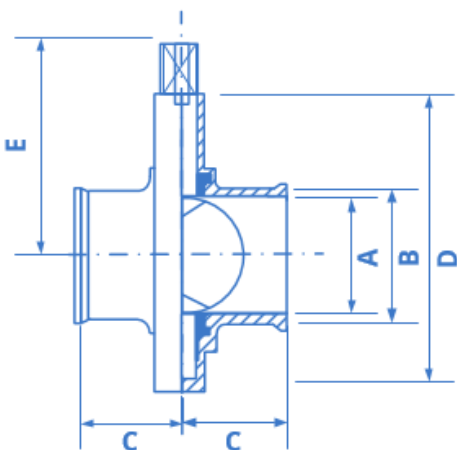
Dimensions and weights for Pneumatic Spring Return Sanitary Butterfly Valve - RJT Male Ends

Size	A	B	C	D	E	F	Spring Return Actuator	H	J	Wt.Kg
1"	22.2	45.7	34	79	61	68	C3	214	85	4.3
1 1/2"	34.8	58.4	38	85	64.3	76	C3	217	85	4.4
2"	47.5	72.7	40	105	74.3	80	C3	227	85	5
2 1/2"	60.2	85.4	40	112	77.6	80	C3	235	85	5
3"	72.9	98.2	41	125	84.3	82	C3	238	114	9
4"	97.4	124	50	157	102	100	C101	255	114	10



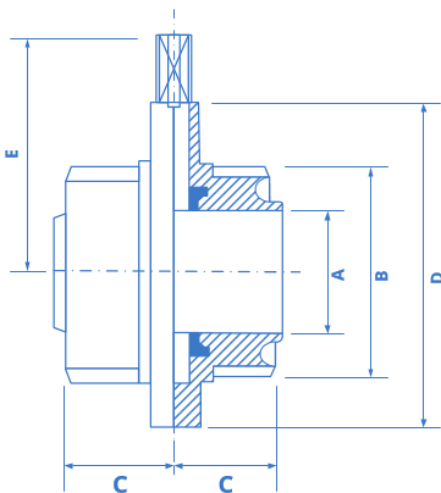
Plain Weld Ends – B.S. 316L

Dimensions and Weight						
DN	A	B	C	D	E	Kg
1"	22.1	25.4	34	79	61	0.8
1 1/2"	34.6	38.1	38	85	64.3	0.85
2"	47.5	50.8	40	105	74.3	1.3
2 1/2"	60.2	63.5	40	112	77.6	1.4
3"	72.1	76.2	41	125	84.3	1.85
4"	97.4	102	50	157	101.6	3.05



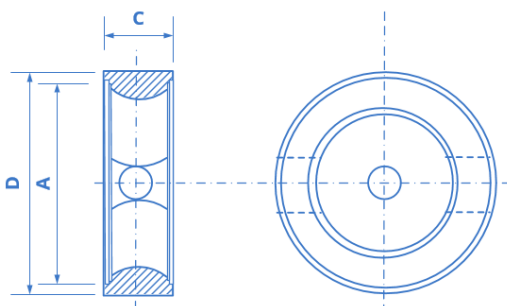
Clamp Ends – B.S. 316L

Dimensions and Weight						
DN	A	B	C	D	E	Kg
1"	22.2	50.5	55	79	61	0.8
1 1/2"	34.9	50.5	59	85	64.3	0.85
2"	47.6	64	61	105	74.3	1.3
2 1/2"	60.3	77.5	61	112	77.6	1.4
3"	73	91	62	125	84.3	1.85
4"	97.6	119	71	157	101.6	3.05



RJT Male Ends – 316L

Dimensions and Weight						
DN	A	B	C	D	E	Kg
1"	22.2	45.7	34	79	61	0.8
1 1/2"	34.8	58.4	38	85	64.3	0.85
2"	47.5	72.7	40	105	74.3	1.3
2 1/2"	60.2	85.4	40	112	77.6	1.4
3"	72.9	98.2	41	125	84.3	1.85
4"	97.7	124	50	157	101.6	3.05



DIMENSIONS			
Size	A	B	C
1"	21.5	38.5	23
1 1/2"	34.5	51.5	23
2"	48.5	65.5	23
2 1/2"	59.5	76.5	23
3"	70	89	25

BODY: Fully machined from 316 forging.
DISC: Fully machined, highly polished – Ra less than 0.6 µm
DISC DRIVE HEAD: 8mm x 12mm
PRESSURE: For use up to = 150psi / 10bar.

Butterfly valve seals

EPDM – Black / White (- 40°C – 120°C)
 Viton – Green (- 20°C – 180°C)
 Silicone – Red (- 50°C – 220°C)

➤ Control Top C3 & C101



Easy Fit Control Top - 1" to 3"

- Simple device for providing feedback on open/closed positions.
- Visual LED's light Green when open, Red when closed.
- Stainless Steel IP67 Case.
- Simple fitting with CSE C3 Actuator.
- Contains 24v DC Solenoid and 2 proximity switches.
- Wiring: PNP, Solenoid normally closed.

Easy Fit Control Top - 4"

For the 4" valve C101 is the control top, having the same functions as the C3 but WITHOUT the LED indicators.

➤ Pneumatic control cabinet solutions for hygienic process environments

Did you know Valves Online can offer you a fast and cost efficient solution to your process valve piloting needs.

Hygienic designed, housed in a HD stainless steel panel and protected to class IP65. Available in three widths, each with the same height and depth dimensions

Four different valve island types (Burkert valve Islands), available with up to 40 valve positions and 64 valve functions

Lower material requirements and installation costs due to close-to-process placement in hygiene-critical areas

Optional assemblies, such as pressure monitoring, power supply unit, wall spacer, available

High process reliability through P shutoff, check valves (R+S) and safety-related shutdown



All information is sourced from our manufacturer's data and is intended for guidance only - Valves Online can accept no liability for changes, omissions or errors.

