

Free Float Steam Trap for Clean Steam

- Crevice – Free Design
- Allows Condensate draining without pooling
- Discharge Capacity 50-155 kg/h
- Easy Disassembly
- Buff Polished Stainless Steel
- Sizes ½" - ¾"
- Tri Clamp Ends
- Type SS3-P

The interior of these steam traps are designed to prevent corrosion and bacterial growth.

All components are made of stainless steel. Interior and exterior surfaces of the steam trap as well as the Free Float® itself are highly polished to produce smooth surfaces for improved resistance to bacterial growth. The clamp connection at the joint allows for easy disassembly and cleaning. A small built-in drain hole ensures complete condensate drainage to prevent the pooling of fluid. Excellent Reliability The float rises and sinks as the flow of condensate fluctuates, opening the valve to discharge condensate and closing off the valve when steam enters. Free Float® design provides reliable operation.

Main Applications are for condensate removal from clean and pure steam.

Used in :-

Bio industries, manufacture of pharmaceuticals, medical sterilizers, food production, reactors, fermenters, sterilisers, etc in the food and beverage, pharmaceutical and chemical industries.



Description

Free float type clean steam trap. Crevice-free design allows for condensate drainage without pooling. Internal finishes available are SS3E – 25µm Ra electro-polished, SS3P – 0.8µm Ra buff-polished or 25µm Ra electro-polished and SS3ER – buff polished and then 0.4µm Ra electro-polished.



Beschreibung

Freischwebender sauberer Kondensatableiter. Das spaltfreie Design ermöglicht die Kondensatableitung ohne Ansammlung. Die verfügbaren internen Oberflächen sind SS3E - 25 µm Ra elektropoliert, SS3P - 0,8 µm Ra poliert oder 25 µm Ra elektropoliert und SS3ER - poliert und anschließend 0,4 µm Ra elektropoliert.



Descripción

Trampa de vapor limpia tipo flotador libre. El diseño sin grietas permite el drenaje de condensado sin agrupamiento. Los acabados internos disponibles son SS3E - 25µm Ra electro-pulido, SS3P - 0.8µm Ra pulido pulido o 25µm Ra electro-pulido y SS3ER - pulido pulido y luego 0.4 µm Ra electro-pulido.



Description

Purgeur de vapeur propre à flotteur. La conception sans crevasse permet l'évacuation des condensats sans mise en commun. Les finitions internes disponibles sont SS3E - 25 µm Ra électro-poli, SS3P - 0,8 µm Ra poli chamois ou 25 µm Ra électro-poli et SS3ER - poli chamois puis 0,4 µm Ra électro-poli.

SPECIFICATIONS

Model	SS3-E*	SS3-P	SS3-EP*
Connection	Clamp End		
Size	DN 15, 20 (ISO) 1/2", 3/4" (ASME-BPE)		
Maximum Operating Pressure (barg) PMO	6		
Maximum Differential Pressure (bar) ΔPMX	6		
Maximum Operating Temperature (°C) TMO	165		
Clamp type	3-piece (buff-polished)		
Finishing**	Internal	25 μm Ra electro-polished	0.8 μm Ra buff-polished
	External		
			Buff-polished then 0.4 μm Ra electro-polished

* Option ** Treated base surfaces are lost-wax cast

1 bar = 0.1 MPa

PRESSURE SHELL DESIGN CONDITIONS (**NOT** OPERATING CONDITIONS): Maximum Allowable Pressure (barg) PMA: 10
Maximum Allowable Temperature (°C) TMA: 185

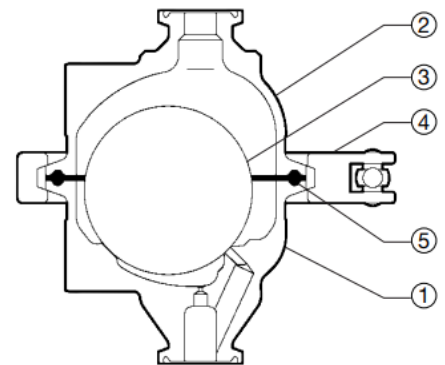
CAUTION To avoid abnormal operation, accidents or serious injury, DO NOT use this product outside of the specification range. Local regulations may restrict the use of this product to below the conditions quoted.

No.	Description	Material	DIN*	ASTM/AISI*
①	Body	Cast Stainless Steel A351 Gr.CF3M	1.4435	—
②	Cover	Cast Stainless Steel A351 Gr.CF3M	1.4435	—
③	Float	Stainless Steel SUS316L	1.4404	AISI316L
④	Body Clamp	Cast Stainless Steel A351 Gr.CF8	1.4312	—
⑤	Cover Gasket**	High-performance Fluorine Resin	—	—

* Equivalent materials

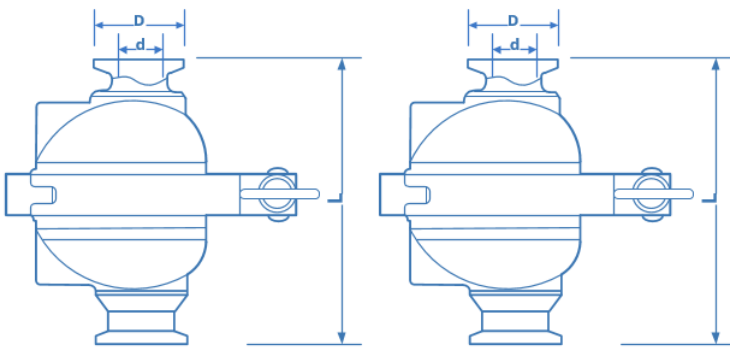
** Cover gasket is GYLON BIO-PRO; complies with FDA 21 CFR 177. 1550, USP Class VI and EN 1935. GYLON BIO-PRO is a registered trademark of Garlock GmbH.

Material certificates to ISO 10474 2.2 or 3.1B available for major components, contact TLV for details.

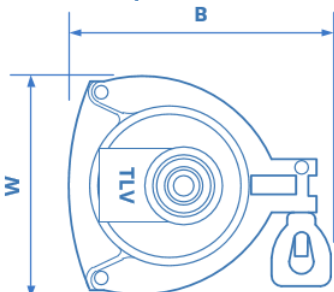


ISO 2852 Clamp / ISO 2037 Tube

ASME-BPE (Tri-Clamp Compatible)



BODY Clamp



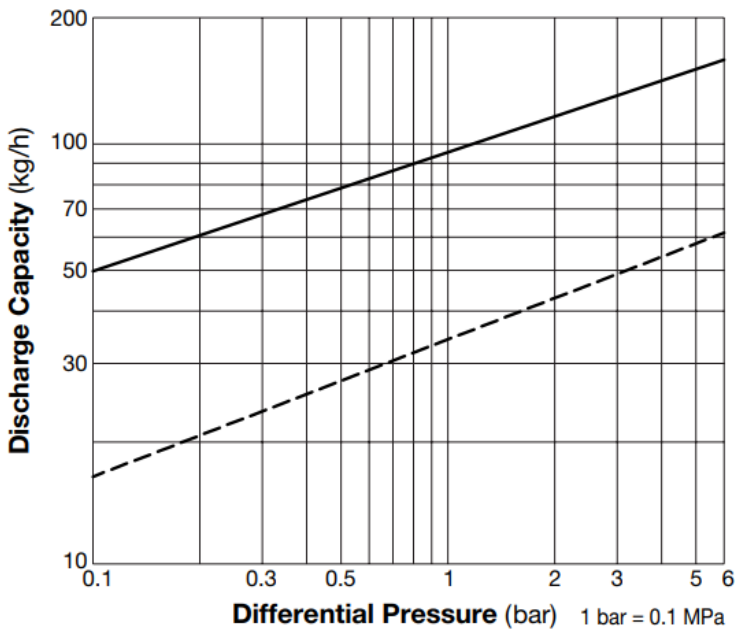
SS3-P Clamp End							
Size	DN	L	W*	B*	øD	ød	Weight (kg)
1/2"	15	105	105	125	34 (25)	15.2 (9.4)	1.4 (1.3)
3/4"	20					19.3 (15.75)	

ISO 2852 Clamp / ISO 2037 Tube or ASME-BPE (Tri-Clamp Compatible)

* Approximate dimensions above
() ASME-BPE (Tri-Clamp Compatible)
Dimensions in mm

Tri-Clamp is a registered trademark of Alfa Laval Corporate AB

All information is sourced from our manufacturer's data and is intended for guidance only - ValvesOnline can accept no liability for changes, omissions or errors.



DISCHARGE CAPACITY

- - - : Minimum amount of condensate required to prevent steam discharge

1. Differential pressure is the difference between the inlet and outlet pressure of the trap.
2. Capacities are based on continuous discharge of condensate 6 °C below saturated steam temperature.
3. Recommended safety factor: at least 1.5.

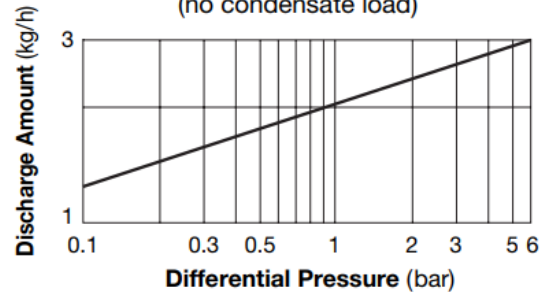


CAUTION

DO NOT use traps under conditions that exceed maximum differential pressure, as condensate backup will occur!

The SS3-P **Clean Steam Trap** has a small built-in drain hole to ensure no condensate remains in the trap after operation. Therefore, a minimum condensate load is required during operation to prevent any steam discharge. The chart below shows the maximum steam discharge through the drain hole under no condensate load conditions.

Max. Steam Discharge Through Drain Hole (no condensate load)



CLEAN STEAM PRODUCTS



PRESSURE
REDUCING

A range of products for clean steam applications, designed for the pharmaceutical, food and beverage, chemical and cosmetic industries.