



THERMOSTATIC AIR VENT FOR STEAM

MODEL LA21 STAINLESS STEEL

ALL STAINLESS STEEL THERMOSTATIC AIR VENT

Features

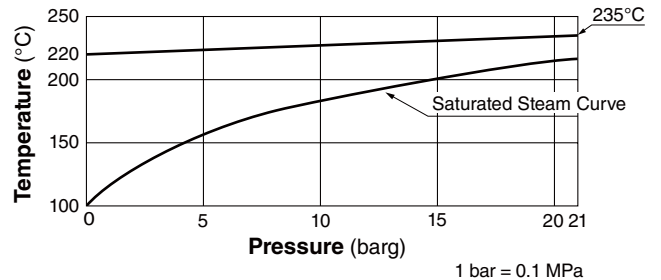
Compact all stainless steel air vent with fail-open feature for steam, for vertical installation.

1. Vents air automatically until close-to-steam temperature.
2. Compact yet with high capacity.
3. Reacts immediately to changes in operating conditions.
4. Withstands superheat and water hammer.
5. Easy to maintain and easy to clean.
6. Hardened stainless steel valve seat.
7. Tight shut-off.



Specifications

Model	LA21
Connection	Screwed
Size	1/2"
Maximum Operating Pressure (barg) PMO	21
Minimum Operating Pressure (barg)	0.1
Maximum Operating Temperature (°C) TMO	see graph at right
Subcooling of X-element Fill (°C)	up to 22
Type of X-element	T
Applicable Fluid*	Steam



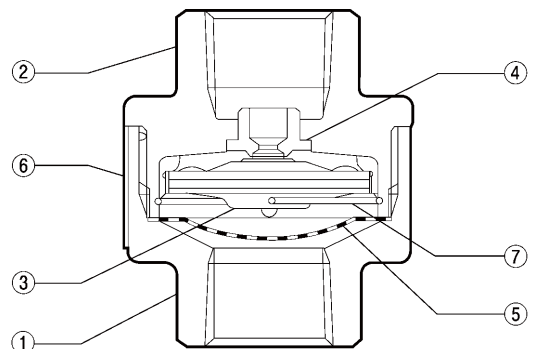
* Do not use for toxic, flammable or otherwise hazardous fluids.

PRESSURE SHELL DESIGN CONDITIONS (NOT OPERATING CONDITIONS):
 Maximum Allowable Pressure (barg) PMA: 63
 Maximum Allowable Temperature (°C) TMA: 425

CAUTION To avoid abnormal operation, accidents or serious injury, DO NOT use this product outside of the specification range. Local regulations may restrict the use of this product to below the conditions quoted.

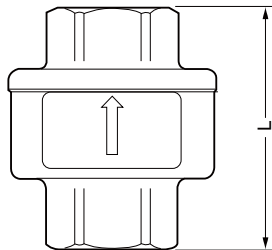
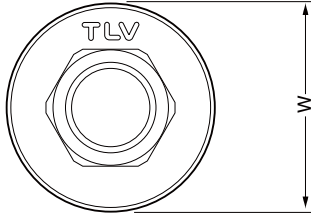
No.	Description	Material	DIN*	ASTM/AISI*
①	Body	Stainless Steel A351 Gr.CF8	1.4312	—
②	Cover	Stainless Steel A351 Gr.CF8	1.4312	—
③	X-element	Stainless Steel	—	—
④	Valve Seat	Stainless Steel SUS630	1.4542	AISI630
⑤	Screen	Stainless Steel SUS304	1.4301	AISI304
⑥	Nameplate	Stainless Steel SUS304	1.4301	AISI304
⑦	Spring Clip	Stainless Steel SUS304	1.4301	AISI304

* Equivalent materials



Dimensions

● **LA21** Screwed

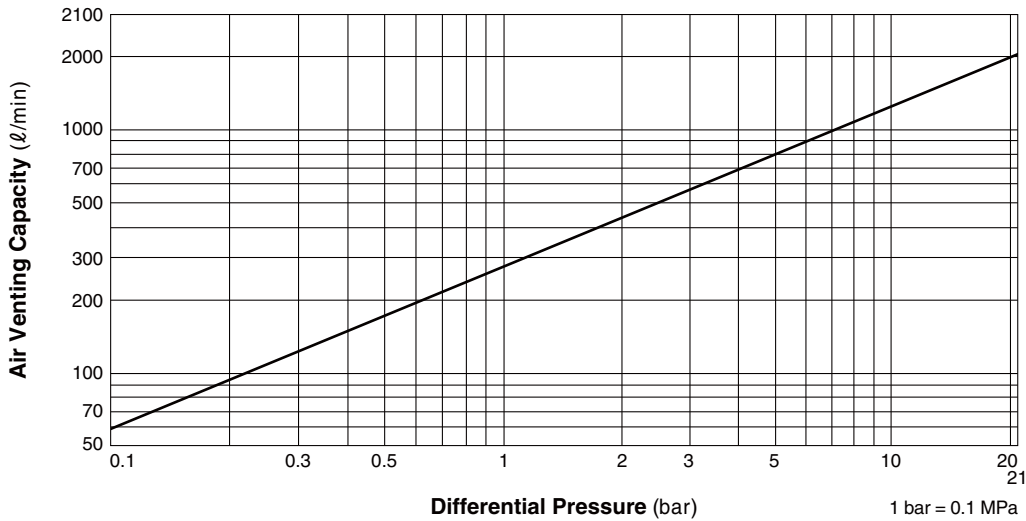


LA21 Screwed* (mm)

Size	L	φ W	Weight (kg)
1/2"	55	47	0.4

* BSP, DIN 2999, other standards available

Air Venting Capacity



1. Differential Pressure is the difference between the inlet and outlet pressure of the air vent.
2. Capacities are equivalent capacities of air at 20°C and atmospheric pressure.

Manufacturer

ISO 9001/ISO 14001

TLV CO., LTD.
Kakogawa, Japan

is approved by LRQA Ltd. to ISO 9001/14001

