



## Digital Thermometer – Stainless Steel case

- Bottom or Centre Back Stem
- Range -50°C to 200°C
- 100mm (4") Face
- Battery powered
- PT100 Sensing Element
- LCD Digital Display
- IP65 Protected

### Description

This high accuracy, digital thermometer can be used in almost every process contexts. Offered in a 100mm case with plexiglass cover, options for both bottom or centre back stem in stainless steel. A 4 digit LCD display, with high numerals and 4 second update of temperature, offering an accuracy of  $\pm 0.25\%$ . Powered by 2 x 1.5V alkaline AA batteries giving a 3 year lifespan.

This thermometer eliminates parallax error, robust in construction and many options of stem length, capillary models and hygienic versions.

#### Options

- Loop powered Version with 4-20mA Transmitter
- Tanker type Bezel
- Armoured Capillary for remote reading
- Thermowell (see sheet)
- Hygienic Connections (see Data sheet)

#### Available Certification

- 2.1 Certificate of Conformity
- 3.1 Material certification
- Surface Finish Certificate to ASME BPE
- Test Certificate for indication accuracy



### Description

The VOLT Digital Thermometer is an economic robust engineered temperature sensor. High in accuracy eliminating any parallax error that is related to mechanical gauges. 100mm face with options for stem connection, capillaries and hygienic versions.



### Beschreibung

Das VOLT Digital Thermometer ist ein wirtschaftlich robust konstruierter Temperatursensor. Hohe Genauigkeit eliminiert Parallaxenfehler, die mit mechanischen Messgeräten verbunden sind. 100-mm-Stirnfläche mit Optionen für Schaftanschluss, Kapillaren und Hygieneversionen.



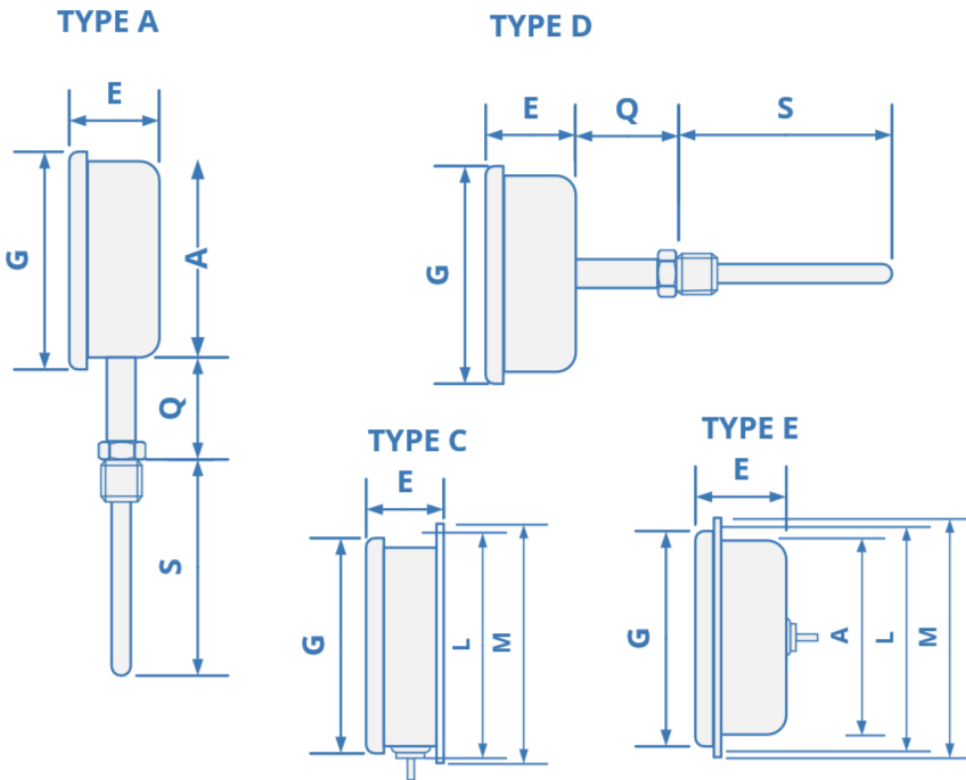
### Descripción

El termómetro digital VOLT es un sensor de temperatura económico y robusto. Alta precisión que elimina cualquier error de paralaje relacionado con indicadores mecánicos. Cara de 100 mm con opciones para conexión de vástago, capilares y versiones higiénicas.



### Description

Le thermomètre numérique VOLT est un capteur de température économique et robuste. Haute précision éliminant toute erreur de parallaxe liée aux jauges mécaniques. Face de 100 mm avec options pour connexion de tige, capillaires et versions hygiéniques.



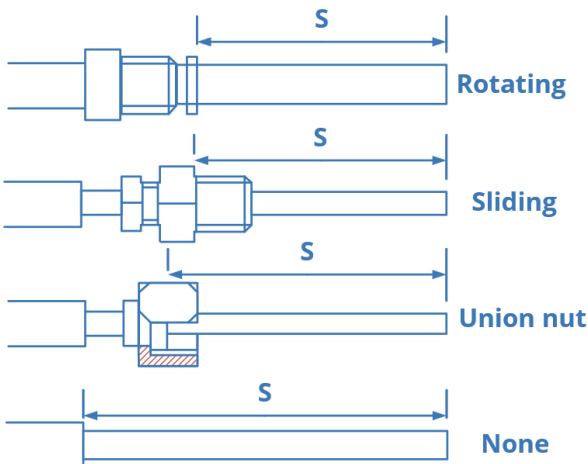
## DIMENSIONS

DS	G	E	A	Q	L	M	S	Bulb Dimension
100	101	50	99	20	115	130	ON REQUEST	6mm

## Mounting Styles and Dimensions

Direct Stem	
Type A	Bottom Connection Direct mounting
Type D	Back Connection Direct Mounting
Remote with Capillary	
Type C	Bottom Connection Surface Mounting
Type E	Back Connection Panel Mounting

## Probe Connection Types



## SPECIFICATION

- Diameter : 100mm
- Case and ring St St 304, Bayonet type ring
- Protection Degree : IP65
- Transparent : Plexiglass
- Display : 4 Digital LCD numerals (4 second update)
- Illuminated Backlight Function
- Low Battery warning
- Probe Material : AISI 316
- Sensing Element : PT100
- Element Dimension : Ø 6mm x 20mm
- Connections : ¼", ½", ¾", 1" NPT or BSP
- Ranges : -50 to 200°C
- Over Temperature : 25% FS
- Accuracy : ± 0.25%
- Ambient Temperature Limit : -10°C /+50°C
- Power : 2 x 1.5Volt Alkaline AA Batteries, 3 year life
- **Mounting**

Type A Bottom Connection Direct Mount  
 Type C Bottom Connection Surface Mount  
 Type D Back Connection Direct Mount  
 Type E Back Connection Panel Mount

All information is sourced from our manufacturer's data and is intended for guidance only - Valves Online can accept no liability for changes, omissions or errors.