



WRAS Approved Solenoid Valve for use with Potable Water – Servo Assisted N.O.

- Brass Body, Normally Open
- Seal Material EPDM
- Various Pressures Offered
- 1/8" - 2" Screwed BSP
- Suitable for Temperatures up to 120°C
- Various Voltage Options

> Description

The Type SV5239 valve is a Normally Open servo-assisted solenoid valve. The valve is fully WRAS approved for use on drinking water. This Normally Open valve requires a minimal pressure differential across the valve of 0.5 Bar and can handle pressures up to 16 Bar (depending on orifice size).

As a solenoid valve, the Type SV5239 is particularly suitable for media such as potable water and other clean liquids. The body is offered in brass and has WRAS approved EPDM seats. Sizes are from 1/8" to 2" screwed BSP and have options of various orifice choice.

The coils are moulded with chemically resistant epoxy and are 100% continuously rated. All the main voltages are available and are supplied with DIN plug connector to DIN EN standards, the valves satisfy IP65 degree of protection.

> On request

Various seals and stainless steel option of body.
Normally Open Versions



Description

The SV5239 is a Normally Open servo assisted solenoid valve, suitable to use on drinking water and is WRAS Approved. With a pressure rating of 0.5-16 Bar. Offered in sizes from 1/8" -2" BSP, with brass body and EPDM Seals. The valve is offered in. Voltages: 24V DC, 24V AC, 110V AC and 230V AC.



Beschreibung

Das SV5239 ist ein normal offenes servounterstütztes Magnetventil, das für den Einsatz mit Trinkwasser geeignet und WRAS-zugelassen ist. Mit einer Druckstufe von 0,5-16 Bar. Angeboten in Größen von 1/8" -2" BSP, mit Messinggehäuse und EPDM-Dichtungen. Das Ventil wird angeboten in. Spannungen: 24V DC, 24V AC, 110V AC und 230V AC.



Descripción

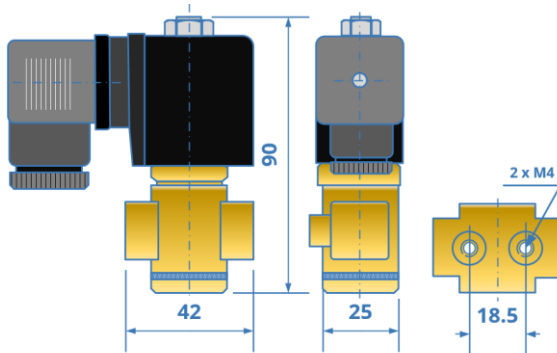
La SV5239 es una electroválvula servoasistida normalmente abierta, apta para su uso en agua potable y aprobada por WRAS. Con una presión nominal de 0,5-16 bar. Se ofrecen en tamaños de 1/8" -2" BSP, con cuerpo de latón y sellos de EPDM. La válvula se ofrece en. Voltajes: 24V DC, 24V AC, 110V AC y 230V AC.



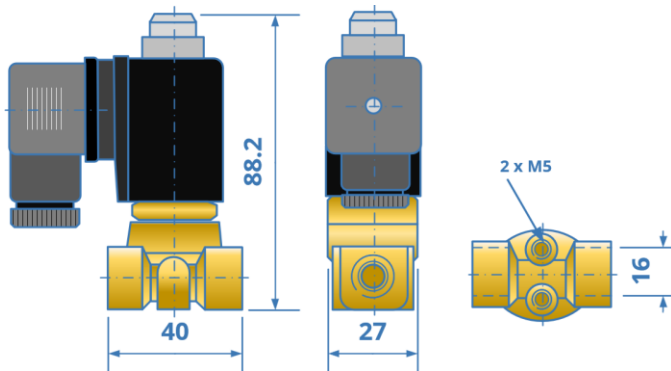
Description

Le SV5239 est une électrovanne servo-assistée normalement ouverte, adaptée à une utilisation sur l'eau potable et est approuvée WRAS. Avec une pression nominale de 0,5 à 16 bars. Offert dans des tailles de 1/8" à 2" BSP, avec corps en laiton et joints en EPDM. La vanne est proposée en. Tensions : 24V DC, 24V AC, 110V AC et 230V AC.

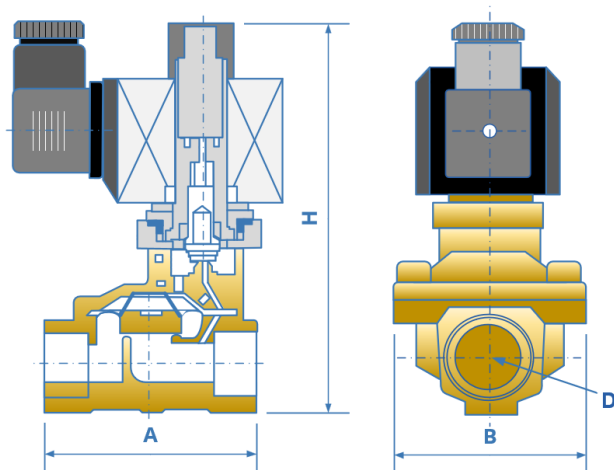
➤ Main Dimensions for Normally Open



➤ Orifice: - 1mm to 2.5mm
Port Size 1/8" & 1/4"



➤ Orifice: - 3mm
Port Size 1/8" & 1/4"



➤ Large Orifice

| Dimensions for Larger Sizes | | |
|-----------------------------|---------|------------------------------|
| Size | Orifice | Main Dimensions A x B x H |
| 3/8" | 13 | 66 x 48 x 124 |
| 1/2" | 13 | 66 x 48 x 124 |
| 3/4" | 20 | 75 x 58 x 130 |
| 1" | 25 | 96 x 70 x 143 |
| 1 1/4" | 35 | 131 x 96 x 158 |
| 1 1/2" | 40 | 131 x 96 x 158 |
| 2" | 50 | 165 x 120 x 179 |

> Main Dimensions-Normally Open

| Size | Orifice | KV | Min. Diff. | Pressure Bar | | Max. Temp. °C | VA (AC) | | | Watt 24 DC | Seal |
|--------|---------|-------|------------|--------------|-------|---------------|---------|------|-----|------------|------|
| | | | | Air/Gas | Water | | 230V | 110V | 24V | | |
| 1/8" | 1 | 0.03 | 0 | 30 | 30 | 120 | 20 | 28 | 43 | 20 | EPDM |
| | 1.5 | 0.08 | 0 | 20 | 20 | 120 | 20 | 28 | 43 | 20 | EPDM |
| | 2.5 | 0.17 | 0 | 15 | 15 | 120 | 20 | 28 | 43 | 20 | EPDM |
| | 3 | 0.22 | 0 | 12 | 12 | 120 | 20 | 28 | 43 | 20 | EPDM |
| 1/4" | 1 | 0.03 | 0 | 30 | 30 | 120 | 20 | 28 | 43 | 20 | EPDM |
| | 1.5 | 0.08 | 0 | 20 | 20 | 120 | 20 | 28 | 43 | 20 | EPDM |
| | 2.5 | 0.17 | 0 | 15 | 15 | 120 | 20 | 28 | 43 | 20 | EPDM |
| | 3 | 0.22 | 0 | 12 | 12 | 120 | 20 | 28 | 43 | 20 | EPDM |
| 3/8" | 13 | 3.89 | 0.5 | 8 | 8 | 120 | 20 | 28 | 43 | 20 | EPDM |
| 1/2" | 13 | 3.89 | 0.5 | 8 | 8 | 120 | 20 | 28 | 43 | 20 | EPDM |
| 3/4" | 20 | 6.57 | 0.5 | 8 | 8 | 120 | 20 | 28 | 43 | 20 | EPDM |
| 1" | 25 | 10.37 | 0.5 | 8 | 8 | 120 | 20 | 28 | 43 | 20 | EPDM |
| 1 1/4" | 35 | 19.01 | 0.5 | 8 | 8 | 120 | 20 | 28 | 43 | 20 | EPDM |
| 1 1/2" | 40 | 25.92 | 0.5 | 8 | 8 | 120 | 20 | 28 | 43 | 20 | EPDM |
| 2" | 50 | 41.47 | 0.5 | 8 | 8 | 120 | 20 | 28 | 43 | 20 | EPDM |

Component Material

| | |
|--------------|---------------------|
| Body | Brass |
| Diaphragm | EPDM |
| Spring | 304 Stainless steel |
| Body Cover | Brass |
| Bolt | Stainless |
| Pilot Seal | EPDM |
| Pilot | Stainless |
| Pilot Spring | 304 Stainless steel |
| O Ring | EPDM |
| Plunger Tube | 304 Stainless steel |
| Coil | Enamelled Wire |
| Plug | Nylon |

Seal Material

| | |
|---------------|------|
| 120°C | EPDM |
| WRAS Approved | |

> Information

Insulation Class F 155° C
 IP65 Coil & Connector PG9 - DIN 43650 A
 NPT Thread Body Brass
 PA Fiberglass reinforced
 Tube and internal parts stainless steel
 Seals and gaskets EPDM WRAS + KTW Approved



All information is sourced from our manufacturer's data and is intended for guidance only - Valves Online can accept no liability for changes, omissions or errors.

Valves Online

sales@valvesonline.co.uk

Tel. + 44 1822 855600

www.valvesonline.co.uk

