





SKU: BV5085

-  VOLT 3 Piece Stainless Steel Ball Valve
-  VOLT 3 Stück Edelstahl-Kugelhahn
-  VOLT 3 piezas de la válvula de bola de acero inoxidable
-  VOLT 3 pièces en acier inoxydable Ball Valve

Valves™
ONLINE

- 1/4" - 4" 3 Piece Full Bore Stainless Steel Ball valve
- 1/4" - 4" 3 Stück Vollbohrung Edelstahl-Kugelhahn
- 1/4" - 4" Válvula de bola de acero inoxidable de diámetro completo de 3 piezas
- 1/4" - 4" 3 pièces passage intégral clapet à billes en acier inoxydable



- Full Bore
- Various End Connections
- Lockable Sturdy Lever operator
- -20°C to 180°C
- Up to 69 Bar

Description

VOLT BV5085 is our standard three piece isolating ball valve with full bore. BSP female thread, with NPT, socket and butt weld connections all readily available on this general purpose valve. The valve has a pressure rating of 1000 PSI (PN63) and is fitted with a blow out proof stem as standard. Operated by means of a lockable steel lever with a blue PVC sleeve up to maximum 68 bar. The unique three piece construction makes it possible to inspect or repair this ball valve very easily. The body can be removed from the pipe section, complete with ball and sealing rings in-situ and refitting of seals can be achieved without removing the connection pieces from the pipe.

CE marked (sizes 1 1/4" upward) in accordance with the PED 97/23/EC

Full material Test Certificates available

Test standard – API 598

Available size range: 1/4" - 4"

Typical Applications Isolation: This type of ball valve is generally used in industrial systems such as Water, Oil, Gas and slightly corrosive media up to maximum 68 bar.

Manual Stainless Steel 3 Piece Ball Valve



Description

3-Piece Screwed Full Bore Ball Valve with slide type locking lever operated.
ASTM A351 CF8M 316 Stainless Steel construction. PTFE Seats and Seals. Adjustable gland.
1000 psi/g Pressure rated.
Temperature -20°C to 180°C Deg C
Connections
Threaded BSP, NPT, Socket and Butt Weld



Beschreibung

3-tlg Vollbohrung Kugelhahn mit Rutsche Typ Verriegelungshebel betätigt .
ASTM A351 CF8M 316 Edelstahl. PTFE -Sitze und Dichtungen . Einstellbare Drüse. 1000 psi / g Druck bewertet . Temperatur -20 ° C bis 180°C Grad C
Anschlüsse
Gewinde BSP , NPT, Sockel und Stumpfschweiß







Descripción

3 -pieza atornillada Válvula de bola con interior con palanca de cierre de cremallera de tipo operada.
ASTM A351 CF8M 316 Construcción de acero inoxidable . Los asientos de PTFE y sellos.
glándula ajustable. 1000 psi / g Resistente a presiones . Temperatura -20°C a 180°C grados C conexiones
Rosca BSP , NPT , y zócalo de soldadura a tope



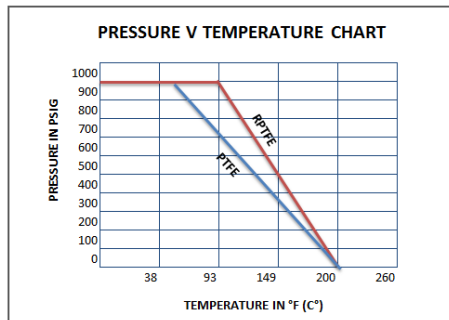
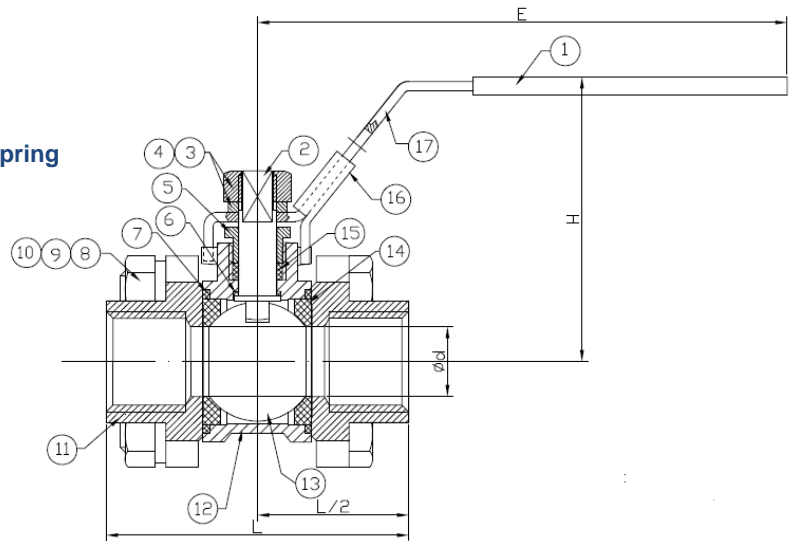
Description

3 pièces vissé passage intégral Ball Valve avec levier de verrouillage de type coulissant exploité .
ASTM A351 CF8M 316 construction en acier inoxydable . Sièges en PTFE et les joints. glande réglable . 1000 psi / g pression nominale .
Température -20°C à 180°C Deg C
Liens
Filetée BSP, NPT , Socket and Butt Weld

-  VOLT 3 Piece Stainless Steel Ball Valve
-  VOLT 3 Stück Edelstahl-Kugelhahn
-  VOLT 3 piezas de la válvula de bola de acero inoxidable
-  VOLT 3 pièces en acier inoxydable Ball Valve

VOLT 3 Piece Stainless Steel Ball Valve

- Fully Maintainable (seals Available)
- Blow-out Proof stem
- Insulated Grip Lever Handle with Strong Spring
- 1000 PSI Rated
- PTFE seats



Dimensions - Screwed BSP, NPT

Size	d	L	H	W
1/4"	9.2	59	52	108
3/8"	12.8	60	52	108
1/2"	15	65.5	63	113
3/4"	20	76.5	68	113
1"	25	86.2	79	135
1 1/4"	32	103.1	88	135
1 1/2"	38	118	97	160
2"	50	131.5	108	160
2 1/2"	65	165.6	128	230
3"	80	182.7	140	230
4"	100	217.7	172	335

Materials

no	Name	Material	Qty
1	Handle Cover	Plastic	1
2	Stem	316	1
3	Hand Washer	304	1
4	Hand Nut	304	1
5	Gland	304	1
6	Thrust Washer	PTFE	1
7	End Seal	PTFE	2
8	Bolt	304	4
9	Bolt Nut	304	4
10	Bolt Washer	304	4
11	End Cap	CF8M	2
12	Body	CF8M	1
13	Ball	CF8M	1
14	Ball Seat	PTFE	2
15	Stem Packing	PTFE	1
16	Lock Device	304	1
17	Handle	304	1

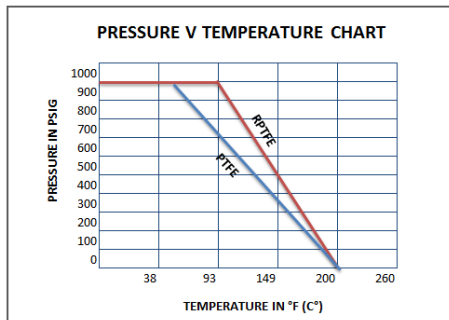
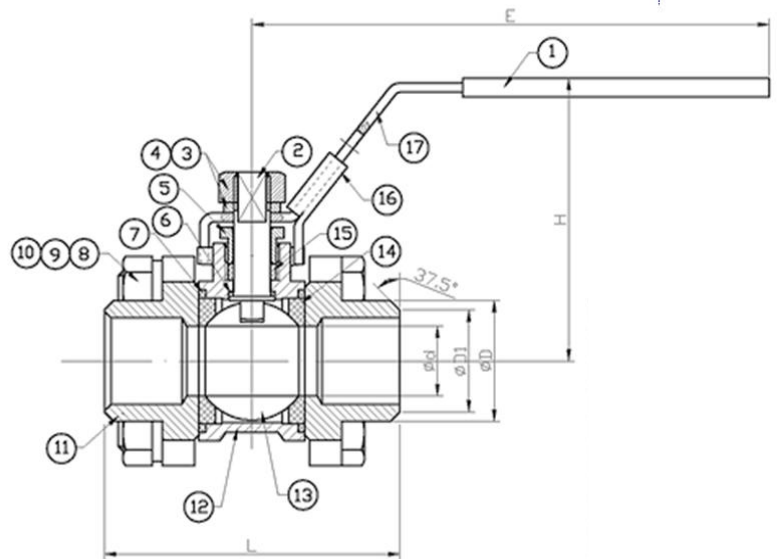


VOLT 3 Piece Stainless Steel Ball Valve
 VOLT 3 Stück Edelstahl-Kugelhahn
 VOLT 3 piezas de la válvula de bola de acero inoxidable
 VOLT 3 pièces en acier inoxydable Ball Valve

Valves™
 ONLINE

VOLT 3 Piece Stainless Steel Ball Valve

- Fully Maintainable (seals Available)
- Blow-out Proof stem
- Insulated Grip Lever Handle with Strong Spring
- 1000 PSI Rated
- PTFE seats



Dimensions 3 - Piece Butt Weld

Size	d	L	H	E	D	D1
1/4"	9.2	59	52	108	14.1	12
3/8"	12.8	60	52	108	17.6	14.5
1/2"	15	65.5	63	113	21.9	17
3/4"	20	76.5	68	113	27.4	22.5
1"	25	86.2	79	135	34.2	28.6
1 1/4"	32	103.1	88	135	42.8	36
1 1/2"	38	118	97	160	48.8	43
2"	50	131.5	108	160	61.1	54
2 1/2"	65	165.6	128	230	77	68
3"	80	182.7	140	230	90	84
4"	100	217.7	172	335	115	104

Materials

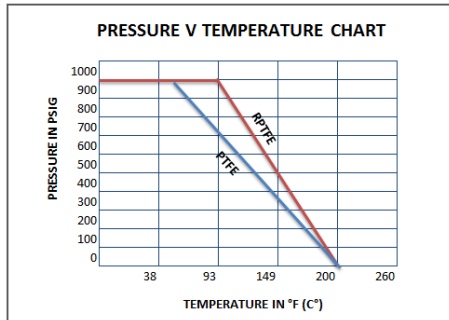
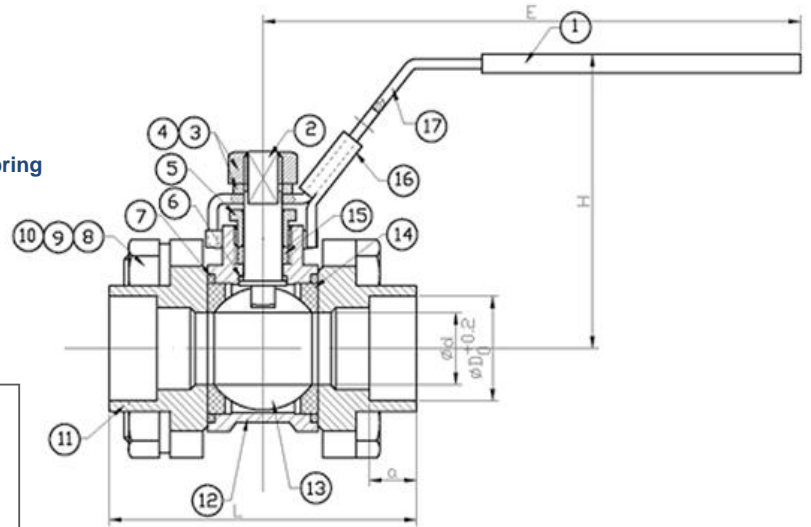
no	Name	Material	Qty
1	Handle Cover	Plastic	1
2	Stem	316	1
3	Hand Washer	304	1
4	Hand Nut	304	1
5	Gland	304	1
6	Thrust Washer	PTFE	1
7	End Seal	PTFE	2
8	Bolt	304	4
9	Bolt Nut	304	4
10	Bolt Washer	304	4
11	End Cap	CF8M	2
12	Body	CF8M	1
13	Ball	CF8M	1
14	Ball Seat	PTFE	2
15	Stem Packing	PTFE	1
16	Lock Device	304	1
17	Handle	304	1



VOLT 3 Piece Stainless Steel Ball Valve
 VOLT 3 Stück Edelstahl-Kugelhahn
 VOLT 3 piezas de la válvula de bola de acero inoxidable
 VOLT 3 pièces en acier inoxydable Ball Valve

VOLT 3 Piece Stainless Steel Ball Valve

- Fully Maintainable (seals Available)
- Blow-out Proof stem
- Insulated Grip Lever Handle with Strong Spring
- 1000 PSI Rated
- PTFE seats



Dimensions 3-Piece Socket Weld						
Size	d	L	H	E	D	Q
1/4"	9.2	59	52	108	14.1	10
3/8"	12.8	60	52	108	17.6	10
1/2"	15	65.5	63	113	21.9	10
3/4"	20	76.5	68	113	27.4	13
1"	25	86.2	79	135	34.2	13
1 1/4"	32	103.1	88	135	42.8	13
1 1/2"	38	118	97	160	48.8	13
2"	50	131.5	108	160	61.1	16
2 1/2"	65	165.6	128	230	77	16
3"	80	182.7	140	230	90	16
4"	100	217.7	172	335	115	19

Materials			
no	Name	Material	Qty
1	Handle Cover	Plastic	1
2	Stem	316	1
3	Hand Washer	304	1
4	Hand Nut	304	1
5	Gland	304	1
6	Thrust Washer	PTFE	1
7	End Seal	PTFE	2
8	Bolt	304	4
9	Bolt Nut	304	4
10	Bolt Washer	304	4
11	End Cap	CF8M	2
12	Body	CF8M	1
13	Ball	CF8M	1
14	Ball Seat	PTFE	2
15	Stem Packing	PTFE	1
16	Lock Device	304	1
17	Handle	304	1