
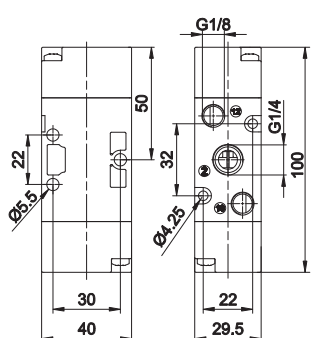

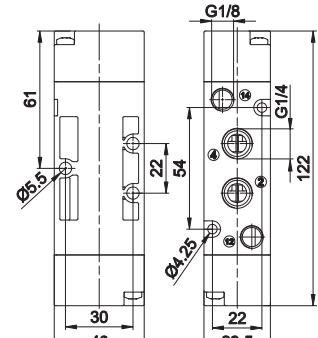
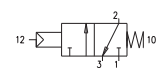
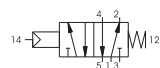

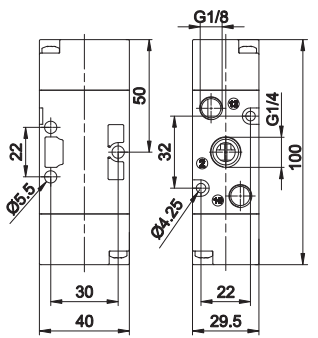

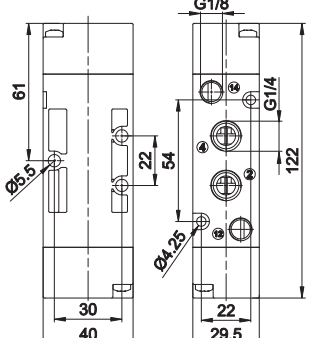





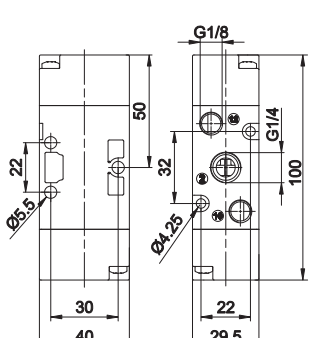

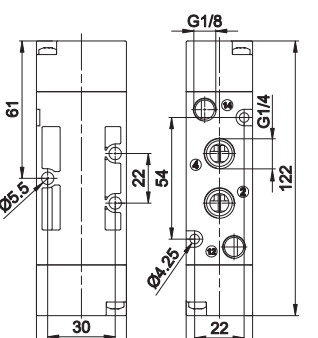
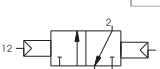
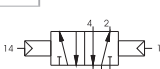
1

Pneumatic-Spring	3/2	Ordering code T224.11.1	5/2	Pneumatic-Spring
 		<p>T TYPE</p> <p>32 = 3 ways</p> <p>52 = 5 ways</p>		 
Weight gr. 110 Minimum operating pressure 2,5 bar				

Operational characteristics	Fluid	Max working pressure	Operating temperature		Flow rate at 6 bar with $\Delta p=1$	\varnothing orifice size	Working port size	Pilot port size
	Filtered air, with or without lubri-	10 bar	Min. -5°C	Max. +50°C	1050 NI/min	mm 8,5	G 1/4"	G 1/8"

Pneumatic-Differential (external)	3/2	Ordering code T224.11.12	5/2	Pneumatic-Differential (external)
 		<p>T TYPE</p> <p>32 = 3 ways</p> <p>52 = 5 ways</p>		 
Weight gr. 110 Minimum operating pressure 2 bar				

Operational characteristics	Fluid	Max working pressure	Operating temperature		Flow rate at 6 bar with $\Delta p=1$	\varnothing orifice size	Working port size	Pilot port size
	Filtered air, with or without lubri-	10 bar	Min. -5°C	Max. +50°C	1050 NI/min	mm 8,5	G 1/4"	G 1/8"

Pneumatic-Pneumatic	3/2	Ordering code T224.11.11	5/2	Pneumatic-Pneumatic
 		<p>T TYPE</p> <p>32 = 3 ways</p> <p>52 = 5 ways</p>		 
Weight gr. 110 Minimum operating pressure 2 bar				

Operational characteristics	Fluid	Max working pressure	Operating temperature		Flow rate at 6 bar with $\Delta p=1$	\varnothing orifice size	Working port size	Pilot port size
	Filtered air, with or without lubri-	10 bar	Min. -5°C	Max. +50°C	1050 NI/min	mm 8,5	G 1/4"	G 1/8"