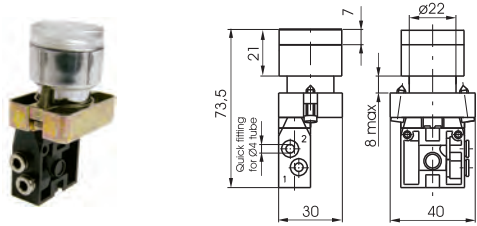
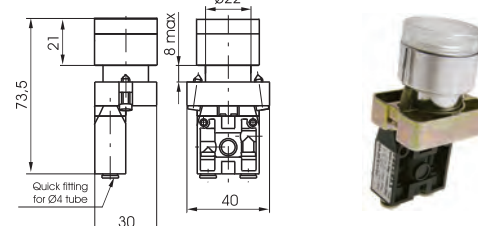

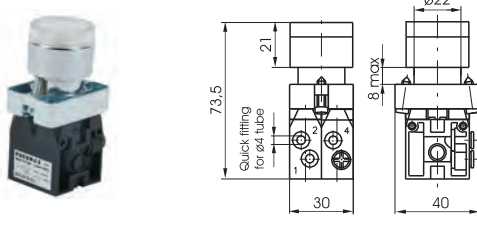
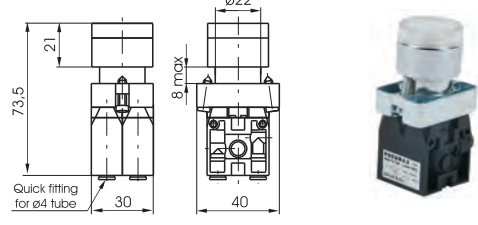
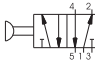
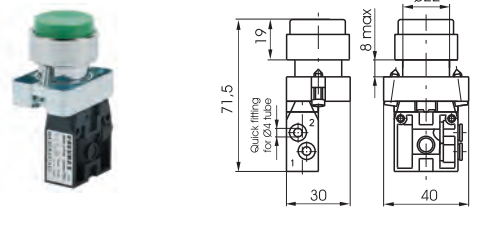
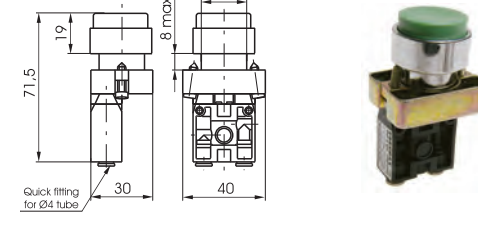





1

Push button 2 positions	2/2 3/2	Ordering code 104.T.6.31.P.F	2/2 3/2	Push button 2 positions						
<i>Lateral connections</i>				<i>Rear connections</i>						
		<table border="1" style="width:100%; border-collapse: collapse;"> <tr><td>TYPE</td></tr> <tr><td>T 22 = 2 ways 32 = 3 ways</td></tr> <tr><td>CONNECTION TYPE</td></tr> <tr><td>P L = Lateral P = Rear</td></tr> <tr><td>FUNCTION</td></tr> <tr><td>F A = Norm. open N.O. C = Norm. closed N.C.</td></tr> </table>	TYPE	T 22 = 2 ways 32 = 3 ways	CONNECTION TYPE	P L = Lateral P = Rear	FUNCTION	F A = Norm. open N.O. C = Norm. closed N.C.		
TYPE										
T 22 = 2 ways 32 = 3 ways										
CONNECTION TYPE										
P L = Lateral P = Rear										
FUNCTION										
F A = Norm. open N.O. C = Norm. closed N.C.										
<p>Weight gr. 60 Operating force 18N step - step</p> 				<p>Weight gr. 60 Operating force 18N step - step</p>						
Operational characteristics	Fluid Filtered and lubricated air or not	Max working pressure 10 bar	Operating Temperature Min. -5°C Max. +50°C	Flow rate at 6 bar with Δp=1 90 NI/min	Orifice size mm 2,5	Working port size ø4 tube				

Push button 2 positions	5/2	Ordering code 104.52.6.31.P	5/2	Push button 2 positions		
<i>Lateral connections</i>				<i>Rear connections</i>		
		<table border="1" style="width:100%; border-collapse: collapse;"> <tr><td>CONNECTION TYPE</td></tr> <tr><td>P L = Lateral P = Rear</td></tr> </table>	CONNECTION TYPE	P L = Lateral P = Rear		
CONNECTION TYPE						
P L = Lateral P = Rear						
<p>Weight gr. 110 Operating force 30N step - step</p> 				<p>Weight gr. 110 Operating force 30N step - step</p>		
Operational characteristics	Fluid Filtered and lubricated air or not	Max working pressure 10 bar	Operating Temperature Min. -5°C Max. +50°C	Flow rate at 6 bar with Δp=1 90 NI/min	Orifice size mm 2,5	Working port size ø4 tube

Raised Push button - Spring	2/2 3/2	Ordering code 104.T.6.23/C.P.F	2/2 3/2	Raised Push button - Spring								
<i>Lateral connections</i>				<i>Rear connections</i>								
		<table border="1" style="width:100%; border-collapse: collapse;"> <tr><td>TYPE</td></tr> <tr><td>T 22 = 2 ways 32 = 3 ways</td></tr> <tr><td>BUTTON COLOR</td></tr> <tr><td>C 1 = Red 2 = Black 3 = Green 4 = Yellow</td></tr> <tr><td>CONNECTION TYPE</td></tr> <tr><td>P L = Lateral P = Rear</td></tr> <tr><td>FUNCTION</td></tr> <tr><td>F A = Norm. open N.O. C = Norm. closed N.C.</td></tr> </table>	TYPE	T 22 = 2 ways 32 = 3 ways	BUTTON COLOR	C 1 = Red 2 = Black 3 = Green 4 = Yellow	CONNECTION TYPE	P L = Lateral P = Rear	FUNCTION	F A = Norm. open N.O. C = Norm. closed N.C.		
TYPE												
T 22 = 2 ways 32 = 3 ways												
BUTTON COLOR												
C 1 = Red 2 = Black 3 = Green 4 = Yellow												
CONNECTION TYPE												
P L = Lateral P = Rear												
FUNCTION												
F A = Norm. open N.O. C = Norm. closed N.C.												
<p>Weight gr. 50 Operating force 18N</p> 				<p>Weight gr. 50 Operating force 18N</p>								
Operational characteristics	Fluid Filtered and lubricated air or not	Max working pressure 10 bar	Operating Temperature Min. -5°C Max. +50°C	Flow rate at 6 bar with Δp=1 90 NI/min	Orifice size mm 2,5	Working port size ø4 tube						