
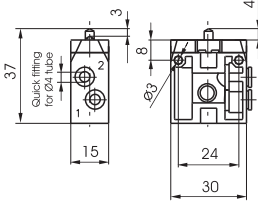
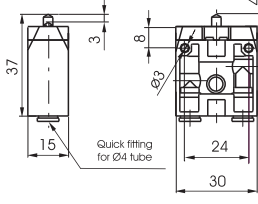



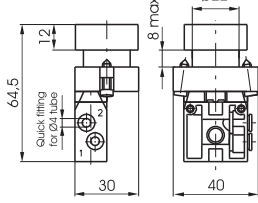
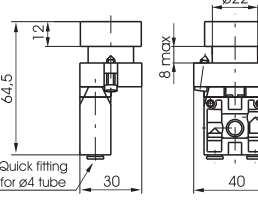



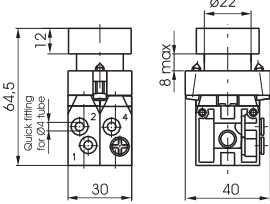
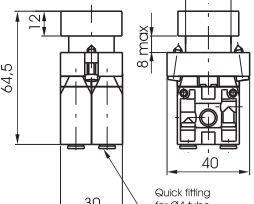

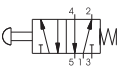




1

<b>Tappet - Spring</b>	2/2 3/2	Ordering code <b>104.1.0.1.P.F</b>	2/2 3/2	<b>Tappet - Spring</b>		
<i>Lateral connections</i>				<i>Rear connections</i>		
 		TYPE <b>T</b> 22 = 2 ways 32 = 3 ways CONNECTION TYPE <b>P</b> L = Lateral P = Rear FUNCTION <b>F</b> A = Norm. open N.O. C = Norm. closed N.C.		 		
Weight gr. 20 Operating force 13 N				Weight gr. 20 Operating force 13 N		
<b>Operational characteristics</b>	Fluid Filtered and lubricated air or not	Max working pressure 10 bar	Operating Temperature Min. -5°C Max. +50°C	Flow rate at 6 bar with Δp=1 90 NI/min	Orifice size mm 2,5	Working port size ø4 tube

<b>Push button - Spring</b>	2/2 3/2	Ordering code <b>104.1.6.22/C.P.F</b>	2/2 3/2	<b>Push button - Spring</b>		
<i>Lateral connections</i>				<i>Rear connections</i>		
 		TYPE <b>T</b> 22 = 2 ways 32 = 3 ways BUTTON COLOR <b>C</b> 1 = Red 2 = Black 3 = Green 4 = Yellow CONNECTION TYPE <b>P</b> L = Lateral P = Rear FUNCTION <b>F</b> A = Norm. open N.O. C = Norm. closed N.C.		 		
Weight gr. 50 Operating force 18 N				Weight gr. 50 Operating force 18 N		
<b>Operational characteristics</b>	Fluid Filtered and lubricated air or not	Max working pressure 10 bar	Operating Temperature Min. -5°C Max. +50°C	Flow rate at 6 bar with Δp=1 90 NI/min	Orifice size mm 2,5	Working port size ø4 tube

<b>Push button - Spring</b>	5/2	Ordering code <b>104.52.6.22/C.P</b>	5/2	<b>Push button - Spring</b>		
<i>Lateral connections</i>				<i>Rear connections</i>		
 		BUTTON COLOR <b>C</b> 1 = Red 2 = Black 3 = Green 4 = Yellow CONNECTION TYPE <b>P</b> L = Lateral P = Rear		 		
Weight gr. 105 Operating force 30 N				Weight gr. 105 Operating force 30 N		
<b>Operational characteristics</b>	Fluid Filtered and lubricated air or not	Max working pressure 10 bar	Operating Temperature Min. -5°C Max. +50°C	Flow rate at 6 bar with Δp=1 90 NI/min	Orifice size mm 2,5	Working port size ø4 tube