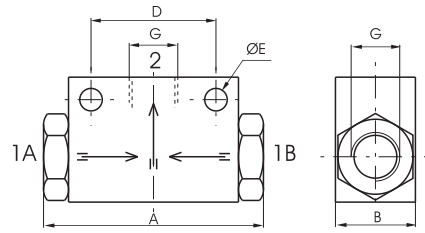


**Shuttle valve "OR" - M5 - G1/8" - G1/4"**

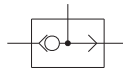
Ordering code
<b>6.04.1</b>
CONNECTION
05 = M5
18 = G 1/8"
14 = G 1/4"



	M5	1/8"	1/4"
A	27	44	62
B	12	16	22
D	15	25	35
E	3,5	4,5	5,5
Weight gr.	33	50	110

Flow rate at 6 bar with  $\Delta p = 1$  NI/min. 110 700 2200

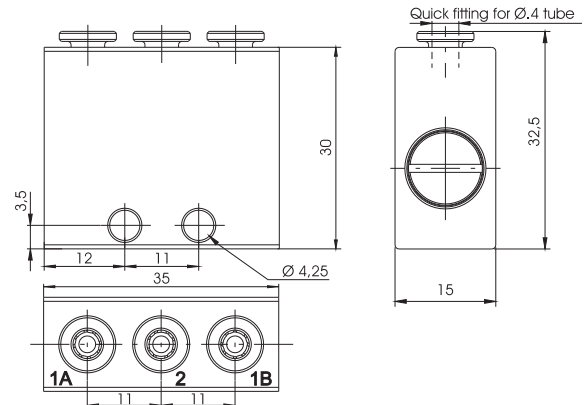
Weight "see table"



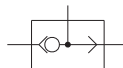
Operational characteristic	Fluid	Max working pressure	Operating Temperature	
	Filtered air	10 bar	Min. -5°C	Max. +70°C

**Shuttle valve "OR" - T=4**

Ordering code
<b>6.04.04</b>



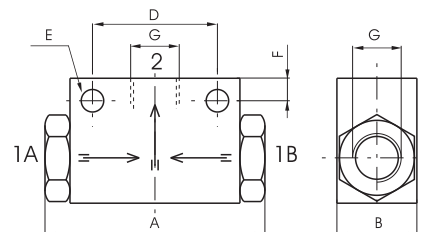
Weight gr. 50



Operational characteristic	Fluid	Max working pressure	Operating Temperature		Flow rate 6 bar at $\Delta p = 1$	Orifice size	Connections
	Filtered and lubricated air	10 bar	Min. -5°C	Max. +70°C	105 NI/min	mm. 2,5	Fitting T=4

**Shuttle valve "AND" - M5 - G1/8"**

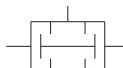
Ordering code
<b>6.04.1/1</b>
CONNECTION
05 = M5
18 = G 1/8"



	M5	1/8"
A	36	44
B	12	16
D	20	25
E	3,2	4,5
F	3,5	4,5
Weight gr.	30	50

Flow rate at 6 bar with  $\Delta p = 1$  NI/min. 100 480

Weight "see table"



Operational characteristic	Fluid	Max working pressure	Operating Temperature	
	Filtered air	10 bar	Min. -5°C	Max. +70°C