

1

Lever lateral-Spring

3/2

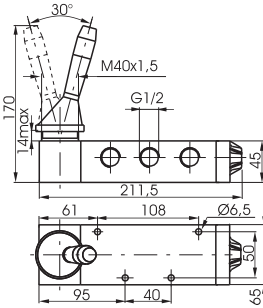
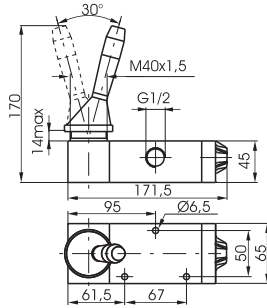
Ordering code

212.1.9.1

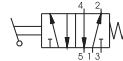
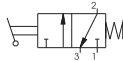
TYPE
32 = 3 ways
52 = 5 ways

5/2

Lever lateral-Spring



Weight gr. 1.480



Weight gr. 1.765

Operational characteristics	Fluid	Max working pressure	Operating Temperature		Flow rate at 6 bar with $\Delta p=1$	Orifice size	Working port size
	Filtered air, with or without lubrication	10 bar	Min. -5°C	Max. +70°C	3500 NI/min	mm 15	G 1/2"

Lever lateral-2 positions

3/2

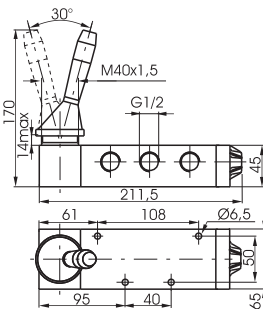
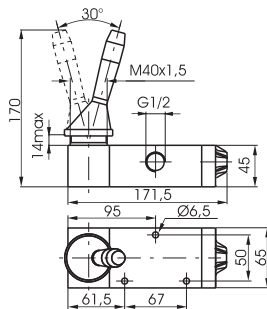
Ordering code

212.1.9

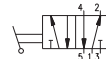
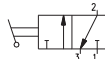
TYPE
32 = 3 ways
52 = 5 ways

5/2

Lever lateral-2 positions



Weight gr. 1.460



Weight gr. 1.745

Operational characteristics	Fluid	Max working pressure	Operating Temperature		Flow rate at 6 bar with $\Delta p=1$	Orifice size	Working port size
	Filtered air, with or without lubrication	10 bar	Min. -5°C	Max. +70°C	3500 NI/min	mm 15	G 1/2"

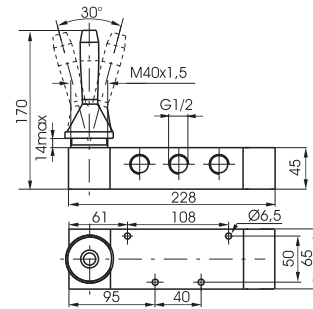
Lever lateral-Spring 3 positions

5/3

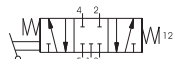
Ordering code

212.53.F.9.1

FUNCTION
31 = Closed centres
32 = Open centres



Weight gr. 2.100

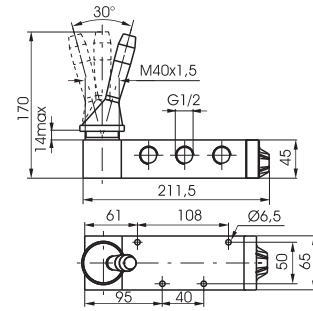


Operational characteristics	Fluid	Max working pressure	Operating Temperature		Flow rate at 6 bar with $\Delta p=1$	Orifice size	Working port size
	Filtered air, with or without lubrication	10 bar	Min. -5°C	Max. +70°C	3000 NI/min	mm 15	G 1/2"

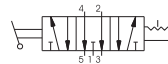
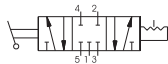
Lever lateral Ø40-3 positions

5/3

Ordering code
212.53.F.9
FUNCTION
F 31 = Closed centres
32 = Open centres



Weight gr. 1.765



Operational characteristics	Fluid	Max working pressure	Operating Temperature		Flow rate at 6 bar with $\Delta p=1$	Orifice size	Working port size
	Filtered air, with or without lubrication	10 bar	Min. -5°C	Max. +70°C	3000 Nl/min	mm 15	G 1/2"

1