



Pneumatic Actuated Mars Series 90D (PN25/40) St St Ball Valve, Firesafe Design

- Double Acting or Spring Closed/Open
- Stainless Steel Body – Full Bore
- Flanged PN25/40
- ATEX Approval on both valve and actuator
- Certified Firesafe Design API 607 4th Ed.
- Antistatic device for ball and stem
- RPTFE Seats (FDA Cert.), Graphite Seals

Description

A combination of a powerful pneumatic Type HP ATEX approved actuator, fitted to the Mars series 90D-60, heavy duty high performance, flanged PN25/40 ball valve. The valve comprises of a ASTM A351 CF8M 316 stainless steel, split 2- piece body with seals that are Fire Safe Certified to API 607 4th Edition and fitted with an antistatic spring loaded device. The Pneumatic actuator offers single acting (fail closed or open) or double acting options. Sized on 5.5 bar pilot air supply with 30% added safety factor. This unit gives you an exceptional combination, that's trouble free and offers long life. We offer various accessories that can be fitted onto the modular actuator such as I.S or EX switch boxes, solenoids and positioners, all suitable for hazardous areas.

Options Include:

Seat Materials: TFM 1600, Peek, UHMWPE, Delrin, 50/50 S/S filled PTFE. All Mars Ball Valves are Silicone Free.
30, 60 and 90 Deg-V Ball for control
Cavity Relief hole drilled into ball
100mm extension spindles for steam and insulation
Fabricated heating jackets
Double block and bleed assembly.



Description

Fire-Safe and Anti-Static, full bore flanged ATEX approved ball valve. Fitted onto our pneumatic ATEX approved actuator, offered in both single and double acting options. Sizes range from 1/2" - 6" DN15-DN150. RPTFE Fire-safe seats with Graphite seals. Actuators are designed to the latest ISO/Namur standards.



Beschreibung

Feuersicherer und antistatischer, geflanschter ATEX-zugelassener Kugelhahn mit vollem Durchgang. Angebaut an unseren pneumatischen ATEX-zugelassenen Antrieb, der sowohl in einfach- als auch in doppelwirkender Ausführung angeboten wird. Die Größen reichen von 1/2" - 6" DN15-DN150. RPTFE Feuersichere Sitze mit Graphitdichtungen. Antriebe sind nach den neuesten ISO/Namur-Standards konstruiert.



Descripción

Válvula de bola de paso total con brida aprobada por ATEX, a prueba de fuego y antiestática. Montado en nuestro actuador neumático aprobado por ATEX, que se ofrece en opciones de acción simple y doble. Los tamaños van desde 1/2" - 6" DN15-DN150. Asientos ignífugos de RPTFE con juntas de grafito. Los actuadores están diseñados según los últimos estándares ISO / Namur.



Description

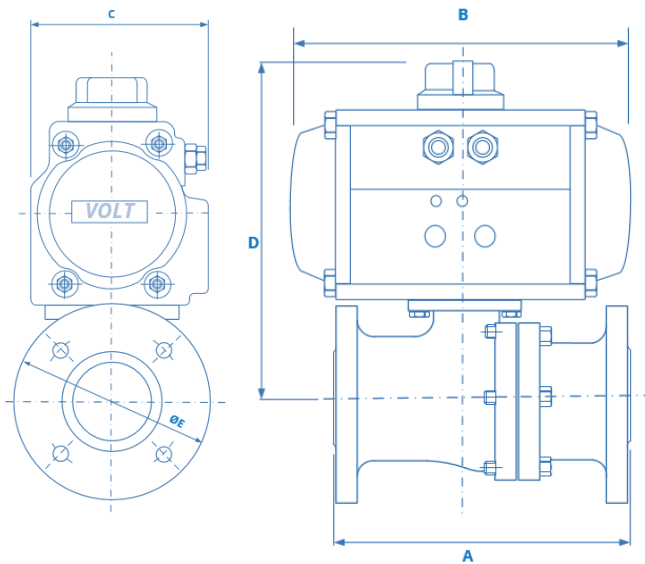
Robinet à tournant sphérique à bride à passage intégral approuvé ATEX, ignifuge et antistatique. Monté sur notre actionneur pneumatique approuvé ATEX, proposé en options simple et double effet. Les tailles vont de 1/2" à 6" DN15-DN150. Sièges coupe-feu RPTFE avec joints en graphite. Les actionneurs sont conçus selon les dernières normes ISO/Namur.

atex

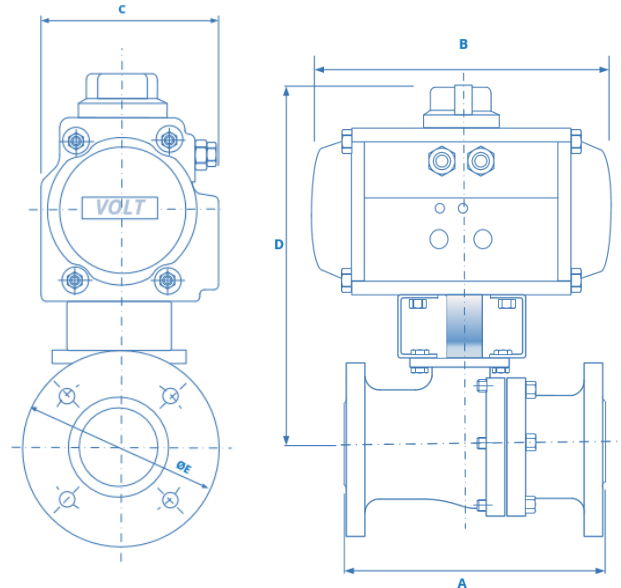


Anti-Static Device

Stem to Ball and Stem to Body as standard



Direct Mount



With Mounting Kit

Double Acting

90D-60 PN40 Double Acting Dimensions							Weight Kg
Size	DA Act.	A	B	C	D	E	
1/2"	HP50D	115	144	72	141.7	95	3.51
3/4"	HP50D	120	144	72	146.7	105	4.21
1"	HP63D	125	163	85	165.8	115	8.46
1 1/4"	HP63D	130	163	85	179.6	140	10.9
1 1/2"	HP75D	140	210	96	213.1	150	12.5
2"	HP75D	150	210	96	220.6	165	21
2 1/2"	HP88D	170	247	108	252	185	29
3"	HP115D	180	316	141	298.5	200	39
4"	HP115D	190	316	141	323	235	76
6"	HP145D	350	414	172	419.2	300	91

Valve / Actuator Sizing
 THE VALVE AND ACTUATOR COMBINATION HAS BEEN SIZED WITH A MAXIMUM OF 10 BAR (150 PSI) MEDIUM LINE PRESSURE AND BASED ON A MINIMUM OF 5.5 BAR (80 PSI) PILOT AIR PRESSURE. SEE GRAPH. FOR HIGHER PRESSURES PLEASE CONTACT SALES WHO WILL ACCOMMODATE YOUR REQUIREMENTS, QUICKLY AND EASILY.

Spring Return

90D-60 PN40 Spring Return Dimensions							Weight Kg
Size	SR Act.	A	B	C	D	E	
1/2"	HP63S	115	163	85	155.7	95	3.6
3/4"	HP66S	120	202	85	160.7	105	4.3
1"	HP75S	125	210	96	182.8	115	5.77
1 1/4"	HP75S	130	210	96	196.6	140	9.18
1 1/2"	HP88S	140	247	108	225.1	150	10.88
2"	HP100S	150	268	123	244.6	165	16.1
2 1/2"	HP115S	170	316	141	282	185	20.68
3"	HP115S	180	316	141	298.5	200	42
4"	HP125S	190	347	151	336	235	54
6"	HP160S	350	467	190	436.2	300	110



Exd Switchbox



Exd Pilot Solenoid

Technical - Actuator

Body material	Hard anodised extruded aluminium alloy
End Caps	Die cast aluminium epoxy coated
Spring	High tensile steel
Indicator	Open/Closed
Pinion shaft	Alloy steel nickle plated
Pinion Guides	Self Lubricating Polypropylene + GF
Piston seals	NBR steel

Specification

Pressure range	10 Bar, pilot pressure 5.5 - 8 Bar
Double acting	2.5 Bar - 8 Bar
Single acting - Open or Close	2.5 Bar - 8 Bar
Temperature range	minus 20°C - 80°C
Movement	90 Degree adjustable -5-+5 Degree
Lubrication	All moving parts are lubricated
Cycle Life	1,000,000 operations
Approvals	ATEX, CE, PED

Valve Specification

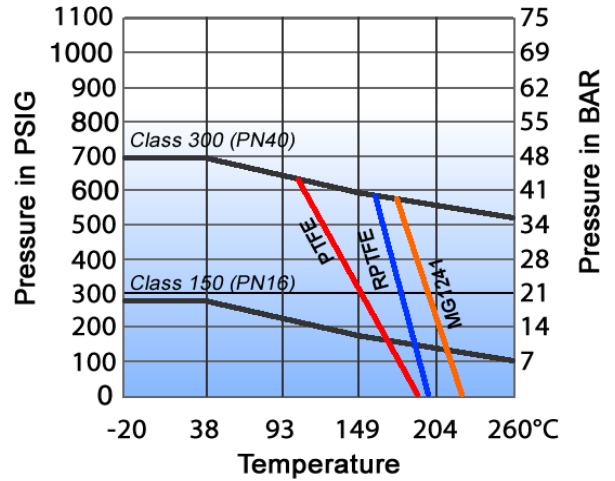
Pressure Rating	Fig 90D-60 PN 25/40 DIN F4/F5-EN558-1-27
Size	1/2" to 6" Full Bore
Temperature range	minus 20° to + 200° (see graph)
Movement	90 deg turn
Cycle life	1,000,000 operations

Approvals

CE Marked 0035 PED/97/23/EC,
TA-Luft
ATEX 94/9/EC II 2 GD
Fire-Safe Certified to API 607 4th Edition
API 6D

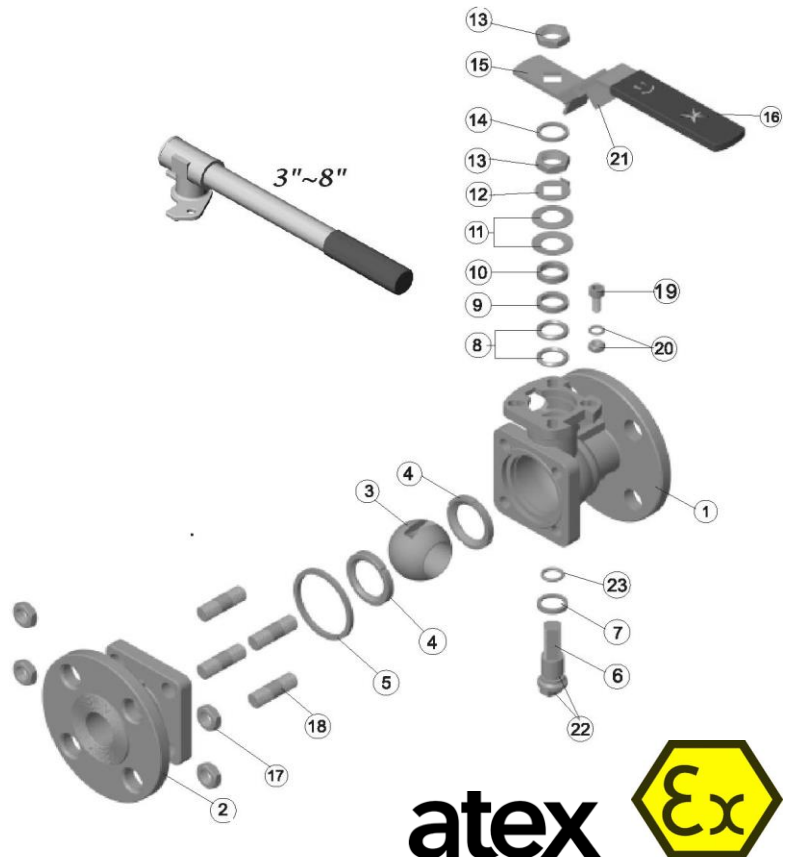
Valve Materials

No	Part Name	Material	Qty
1	Body	CF8M / WCB	1
2	Cap	CF8M / WCB	1
3	Ball	SUS316	1
4	Seat	RPTFE	1
5	Joint Gasket	PTFE	2
6	O-Ring	Viton	2
7	Stem	SUS304	1
8	Stem Seal	RPTFE	2
9	O-Ring	SUS304	1
10	Stem Packing	GRAPHITE	2
11	Gland Packing	RPTFE	1
12	Gland Bush	SUS304	1
13	Belleville washer	PTFE	1
14	Stop Washer	SUS304	*
15	Stem Nut	SUS304	1
16	Stem Washer	Vinyl	1
17	Handle	25% RTFE	1
18	Stop Pin	SUS304	1
19	Locking Device	SUS304	1
20	Handle Sleeve	SUS304	1
21	Pin Nut	SS304	1
22	Anti-static Device	SS 316	1

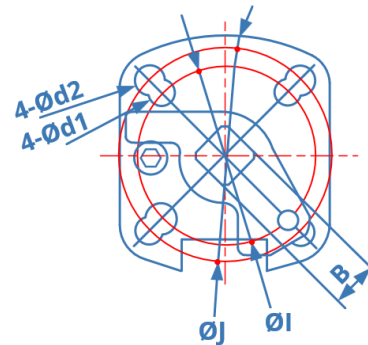
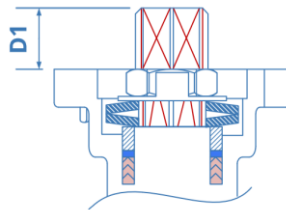
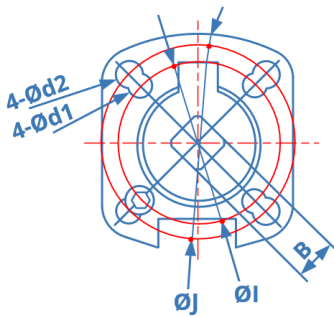
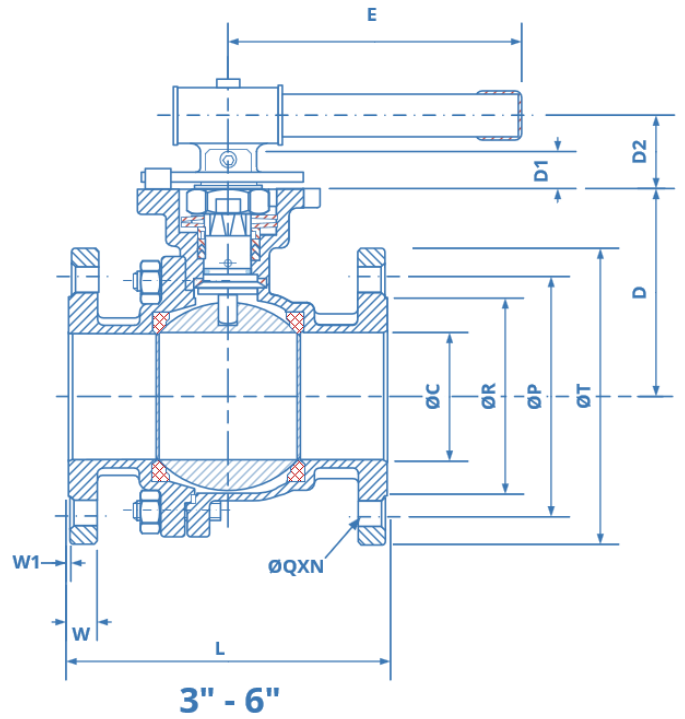
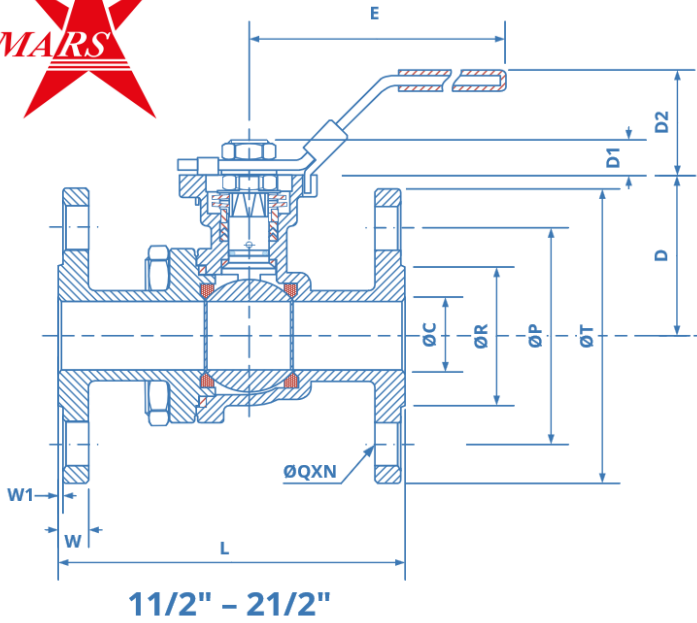


Fire Safe Tested
API 607 Rev. 4

Anti-Static Device
Stem to Ball and
Stem to Body as
standard



atex



90D - 60 F4 / F5 Dimensions PN25/40

Size	ØC	B	E	D	D1	D2	ØI	ØJ	L		N	ØP	ØQ	ØR	ØT	W	W1	Ød1	Ød2	Wt (kg)	ISO5211
									F4	F5											
1/2"	15	11	165	48.7	9.9	36	42	50	115	/	4	65	14	45	95	16	2	6	7	2.35	F04/F05
3/4"	20	11	165	53.7	9.9	36	42	50	120	/	4	75	14	58	105	18	2	6	7	3.05	F04/F05
1"	25	11	165	58.8	10.3	36	42	50	125	/	4	85	14	68	115	18	2	6	7	3.89	F04/F05
1 1/4"	32	14	215	72.6	12.9	49	50	70	130	/	4	100	18	78	140	18	2	7.5	9	5.78	F05/F07
1 1/2"	38	17/19	262	89.1	19	58	70	102	140	/	4	110	18	88	150	18	3	10	12	7.88	F07/F10
2"	50	17/19	262	96.6	19	58	70	102	150	/	4	125	18	102	165	20	3	10	12	10.16	F07/F10
2 1/2"	65	17/19	262	116	19	58	70	102	170	/	8	145	18	122	185	22	3	10	12	-	F07/F10
3"	80	22	365	132.5	23	46.2	102	125	180	/	8	160	18	138	200	24	3	12	14	21.58	F10/F12
4"	100	22	365	157	23	46.2	102	125	190	/	8	180	22	162	235	24	3	12	14	30.63	F10/F12
6"	150	27	750	210.2	28.5	66.5	125	140	/	350	8	250	26	218	300	28	3	14	18	79.31	F12/F14

All Mars ball valves are Silicone Free and suitable for use on oil based paints



All information is sourced from our manufacturer's data and is intended for guidance only - Valves Online can accept no liability for changes, omissions or errors.