



Industrial Pressure Gauge Stainless Steel Case

- 40 - 160mm Diameter
- 1% Accuracy of Full Range
- Dual Scale bar and psi
- Back or Bottom Mounted
- -20°C to 60°C
- Stainless Case - Bronze/Brass Internals



Description

A heavy duty DIN designed Industrial process pressure gauge with flush bezel. Stainless steel case and 30mm rear safety blow out disc. Safety Glass Window. Individual serial number on each gauge. The removable bezel allows repair or re-calibration. Brass/Bronze wetted parts.



Beschreibung

Ein industrielles Prozessdruckmessgerät nach DIN-Norm mit bündiger Einfassung. Edelstahlgehäuse und 30mm Sicherheitsblende hinten. Sicherheitsglasfenster. Individuelle Seriennummer auf jedem Messgerät. Die abnehmbare Blende ermöglicht die Reparatur oder Neukalibrierung. Messing / Bronze benetzte Teile.



Descripción

Un indicador de presión de proceso industrial diseñado DIN resistente con bisel al ras. Caja de acero inoxidable y disco de soplado de seguridad trasera de 30 mm. Ventana de vidrio de seguridad. Número de serie individual en cada medidor. El bisel extraíble permite la reparación o recalibración. Partes mojadas latón / bronce.



Description

Une jauge de pression de processus industrielle conçue par DIN avec la lunette affleurante. Boîtier en acier inoxydable et disque de sécurité arrière de 30 mm. Fenêtre de verre de sécurité. Numéro de série individuel sur chaque jauge. La lunette amovible permet la réparation ou le réétalonnage. Laiton / Bronze pièces en contact avec le fluide.

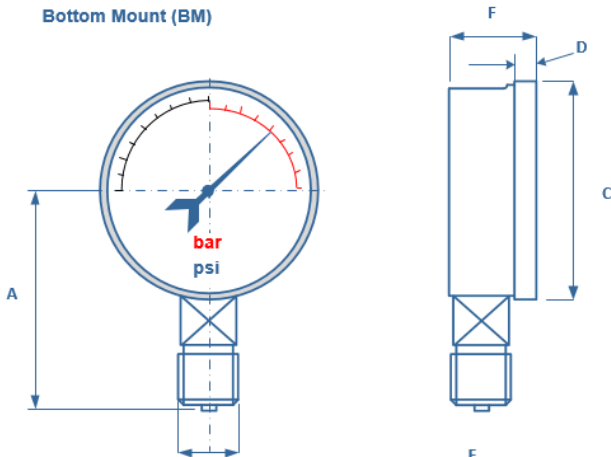
Description

A Heavy Duty Stainless Steel Cased Pressure Gauge, offered with many additions such as laminated safety glass window and 30mm rear safety blow out disc. Back or bottom connection in 3/8" or 1/2". This high precision pressure gauge offers value for money coupled with reliability and repeatability.

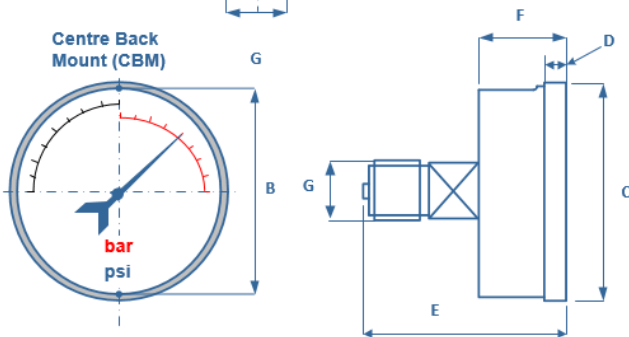
Options

Test certificates / Point to Point certificates are available.
Glycerine filled
Rubber protective cover
Plastic window

Bottom Mount (BM)



Centre Back Mount (CBM)



Attribute	Value
Nominal Size	40mm, 100mm and 160mm
Accuracy	40mm at +/- 2.5%, 100mm at +/- 1.6% and 160mm at +/- 1%
Series	PG2004
Scales	PSI Outer (Black) & BAR Inner (Red) - Pressure 'HG Outer (Black) & BAR Inner (Red) - Vacuum HG+PSI Outer (black) & BAR Inner (red) - Compound
Ranges	-30/0"HG Vacuum to 0/4000 PSI Pressure -30"HG/+30 PSI Compound
Mounting Options	Bottom and Back
Operating Temperatures	Ambient: -20/+60°C Medium: +60°C maximum
Temperature Effect	Variation in indication caused by temperature $\pm 0.04 \times (t_2 - t_1)\%$ of the span t1 is the reference ambient temperature in °C t2 is the ambient temperature in °C
Ingress Protection	IP 40 as per EN 60529
Case	304 Stainless Steel
Window	40mm and 100mm: Polycarbonate - Crystal Clear 160mm: Laminated Safety Glass
Pressure Element	CU Alloy - Sealed Bourdon tube C-type < 100 BAR Coiled Type > 100 BAR
Joints	Soldered with tin alloy
Movement	High Precision Brass
Process Connection Block	40mm 1/8" BSPT male, 11mm Hex Block 100/160mm 3/8"BSP, 1/2"BSP, 22mm Hex Block
Pointer	Aluminium - Black
Dial	Aluminium - White



For the measurement of fluid liquids that are not highly viscous, high temperature (over 60C) likely to solidify / crystallise or corrosive to copper or tin alloys.

Gauge suitable for gases (excluding oxygen or acetylene) up to 25 bar maximum.

Dimensions in mm

Size	A	B	C	D	E	F	G	Weight g
40	25	40	46	4	44	54	1/8 T	90
100	82	95	108	7	80	35	1/2, 3/8 P	450
160	120	144	160	12	115	50	1/2, 3/8 P	1.2