



Wafer Pattern Economy Pneumatic Actuated Butterfly Valve-NBR Liner

- Full Bore Wafer Pattern that fits between PN10 & PN16, ANSI150 Flanges
- Stainless Steel Disc, NBR Liner
- Spring Close or Double Acting Actuator
- Options for Pilot Solenoid & Switchbox
- High Flow Rates

Description

A combination of a pneumatic spring return or double acting pneumatic actuator fitted to wafer pattern butterfly valve. This combination offers both reliability with economy. The range of pneumatic actuators are manufactured from aluminium and have a hard anodised finish. Position indicator, end of stroke adjustment ($\pm 5^\circ$) and Namur interface are fitted as standard.

The butterfly valve body is epoxy coated ductile iron, with stainless steel disc and NBR liner. The valve and actuator fit directly onto each other, (valve has an ISO mounting pad) so no mounting kits are required, thus making the package more compact and cost effective.

The PE4600 is in a modular program range of pneumatic operated quarter turn valves, designed to overcome automated process solutions, affordably and reliable.

NAMUR and ISO 5211 interfaces

Position feedback and pilot solenoids.

- These valves are suitable for many applications including heating (HVAC), water treatment and water distribution, industrial applications, agricultural and for compressed air, gas, oils and hydrocarbons.



Description

A strong efficient pneumatic actuated butterfly valve. Wafer pattern suitable for fitting between PN6/10/16, AISI 150, Table D & E flanges. Valve has a soft NBR seat and stainless steel disc and shaft. Actuator supplied in single and double acting and has interface for fitting solenoid and switchbox. Actuator fitted with position indicator and end stops as standard and is directly mounted onto the valve.



Beschreibung

Ein starkes, effizientes, pneumatisch betätigtes Absperrventil. Zwischenflansche geeignet zum Einbau zwischen PN6/10/16, AISI 150, Tabelle D und E Flansche. Das Ventil hat einen weichen NBR-Sitz und eine Edelstahlscheibe und -welle. Der Stellantrieb wird einfach- und doppeltwirkend geliefert und verfügt über eine Schnittstelle zum Anbringen von Elektromagnet und Schaltkasten. Antrieb serienmäßig mit Stellungsanzeige und Endanschlägen ausgestattet und wird direkt auf die Armatur montiert.



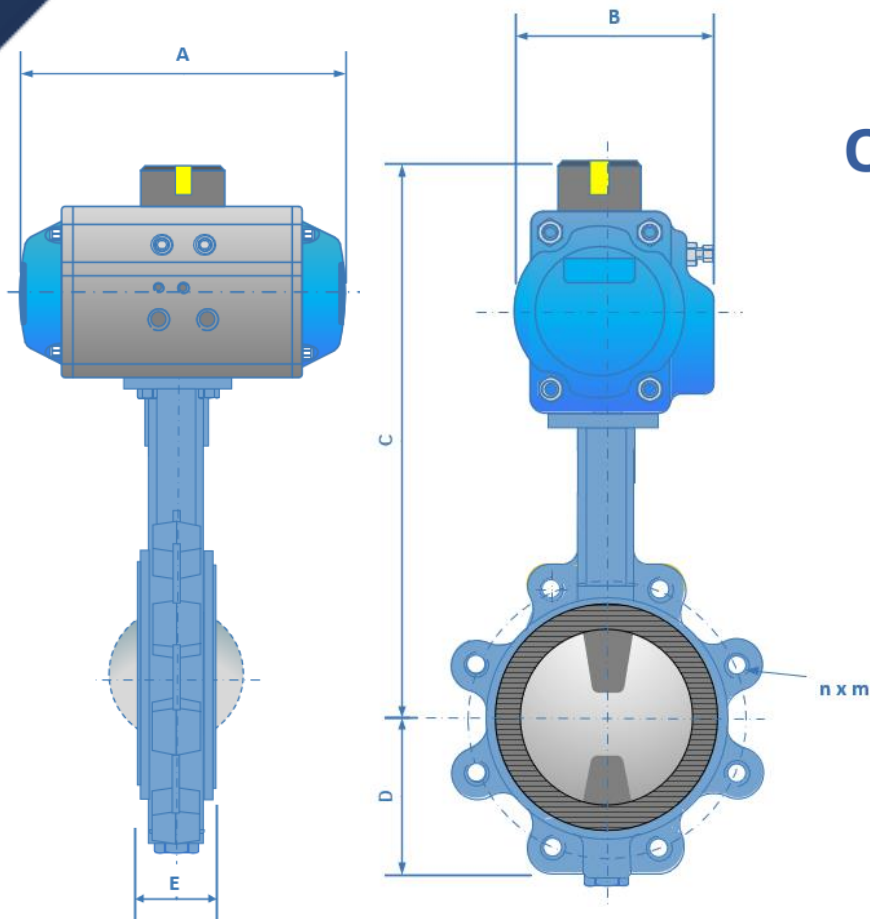
Descripción

Una válvula de mariposa accionada neumáticamente fuerte y eficiente. Patrón de oblea adecuado para montaje entre bridas PN6/10/16, AISI 150, Tabla D y E. La válvula tiene un asiento blando de NBR y disco y eje de acero inoxidable. Actuador suministrado en simple y doble efecto y tiene interfaz para instalar solenoide y caja de interruptores. Actuador equipado con indicador de posición y topes finales como estándar y se monta directamente en la válvula.



Description

Une vanne papillon à commande pneumatique puissante et efficace. Modèle Wafer adapté au montage entre brides PN6/10/16, AISI 150, Tableau D & E. La vanne a un siège en NBR souple et un disque et un arbre en acier inoxydable. Actionneur fourni en simple et double effet et doté d'une interface pour le montage d'un solénoïde et d'un boîtier de commutation. Actionneur équipé d'un indicateur de position et de butées en standard et monté directement sur la vanne.

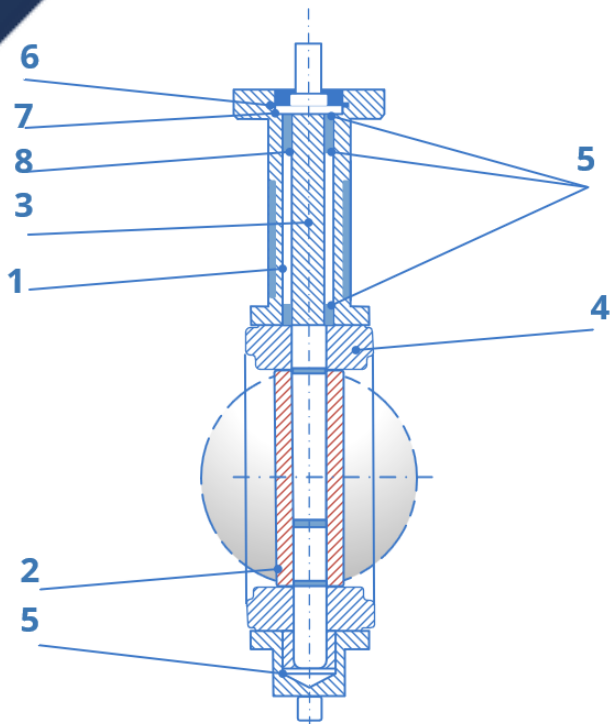


DOUBLE ACTING - DIMENSIONS

VALVE	ACTUATOR	A	B	C	D	E	n x m	Weight Kg
1" (25mm)	AT50D	146	70.5	197	51	33	4 x M12	3.7
1 1/2" (32mm)	AT50D	146	70.5	209	63	33	4 x M16	3.4
2" (50mm)	AT63D	163	83.5	237	63	43	4 x M16	4.82
2 1/2" (65MM)	AT63D	163	83.5	248	69	46	4 x M16	5.72
3" (80mm)	AT75D	214	94	278	78	46	8 x M16	8.15
4" (100mm)	AT75D	214	94	198	106	52	8 x M16	9.45
5" (125mm)	AT88D	252	105	321	115	56	8 x M16	13.4
6" (150mm)	AT100D	270	120	353	128	56	8 x M20	16
8" (200mm)	AT125D	354	147.5	423	160	60	12 x M20	31.1
10" (250mm)	AT145D	418	167	480	190	68	12 x M24	47.46
12" (300mm)	AT160D	450	193	528	235	78	12 x M24	61.05

SPRING RETURN - DIMENSIONS

VALVE	ACTUATOR	A	B	C	D	E	n x m	Weight Kg
1" (25mm)	AT50S	146	70.5	197	51	33	4 x M12	3.75
1 1/2" (32mm)	AT63S	163	83.5	227	63	33	4 x M16	4.1
2" (50mm)	AT75S	214	94	254	62	43	4 x M16	6.35
2 1/2" (65MM)	AT75S	214	94	264	69	46	4 x M16	7.25
3" (80mm)	AT88S	252	105	291	78	46	8 x M16	9.8
4" (100mm)	AT88S	252	105	311	106	52	8 x M16	11.1
5" (125mm)	AT100S	270	120	333	115	56	8 x M16	15.55
6" (150mm)	AT100S	270	120	353	128	56	8 x M20	16.75
8" (200mm)	AT125S	354	147.5	423	160	60	12 x M20	33.1
10" (250mm)	AT145S	418	167	480	190	68	12 x M24	49.9
12" (300mm)	AT160S	450	193	528	235	78	12 x M24	65.65



> Wafer Pattern Butterfly Valve

- This robust and dependable valve has a Stainless Steel 316 Disc and NBR Liner.
- Used in water distribution and supply. It has main European approvals and can be found in water treatment being suitable for most fluids of general service.

Material List

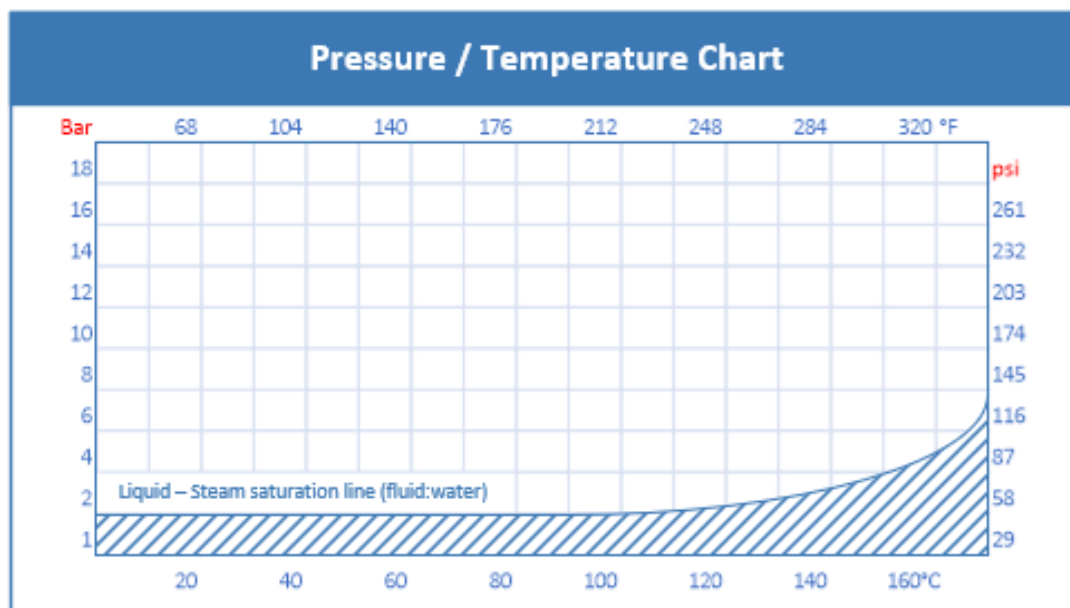
Material List		
1	Body	Epoxy Coated Ductile Iron
2	Disc	Stainless Steel
3	Liner	EPDM, NBR, FKM, PTFE
4	Shaft	Stainless Steel
5	Bushing	PTFE
6	Washer	Galvanised Carbon Steel
7	Circlip ISO 3075	Steel
8	O-Ring	Viton
9	Lever	Aluminium up to 6" Ductile Iron 8" & Above
10	Bolts	Galvanised Carbon Steel

Pressure / Temperature

Pressure	1" - 16" - PN16
	18" - 24" - PN10
Temperature	EPDM -10°C to 120°C This Product is WRAS Approved
Other Liners Available Non WRAS	NBR -10°C to 80°C
	FKM (Viton) -10°C to 120°C
	PTFE -10°C to 120°C

*PE4600 offers reliability, repeatability and outstanding performance, for all your simple process automation needs.
Need more information?
Contact our technical sales team.*

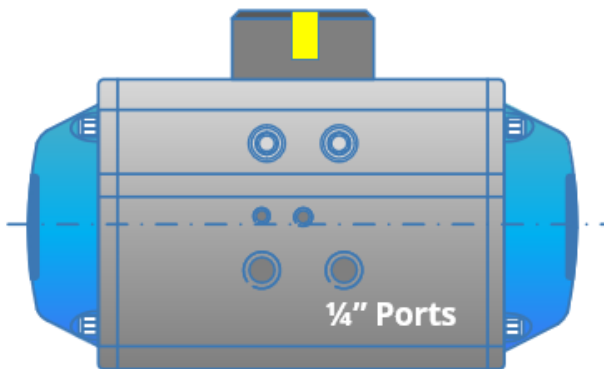
KV Rates									
Opening	10	20	30	40	50	60	70	80	90
1"									
1 1/2"	0.04	2.1	4.8	10	19	30	48	73	79
2"	0.05	2.6	6	13	23	38	60	91	99
2 1/2"	0.09	3.8	14	33	53	75	98	108	108
3"	0.17	7.8	16	34	60	100	158	237	261
4"	0.26	15	31	67	120	199	314	471	518
5"	0.43	25	53	115	205	339	535	803	883
6"	0.69	39	82	177	316	522	817	1241	1364
8"	2.6	52	142	250	450	713	1122	1723	2716
10"	2.6	130	276	599	1068	1768	2798	4196	4611
12"	3.5	202	427	926	1650	2730	4322	6483	7124
14"	5.2	292	617	1376	2384	3945	6243	9364	10291
16"	6.9	401	849	1839	3279	5425	8585	12878	14152
18"	9.5	531	1124	2437	4342	7185	11371	17057	18743
20"	12	683	1445	3133	5609	9238	14620	21930	24099
24"	19	1055	2234	4840	8626	14272	22587	33882	37232



Note: Do not use when temperature and pressure are below the liquid saturation line (hatched area)

Technical - Actuator

Body material	Hard anodised extruded aluminium alloy
End Caps	Die cast aluminium epoxy coated
Spring	High tensile steel
Indicator	Open/Closed
Pinion shaft	Alloy steel nickle plated
Pinion Guides	Self Lubricating Polypropylene + GF
Piston seals	NBR steel
Specification	
Pressure range	10 Bar
Double acting	2.5 Bar - 8 Bar
Single acting	2.5 Bar - 8 Bar
Temperature range	minus 20°C - 80°C
Movement	90 Degree adjustable -5-+5 Degree
Lubrication	All moving parts are lubricated
Cycle Life	1,000,000 operations



Port connections are 1/4" BSP

Pilot air should be clean filtered air- sized on 5.5 Bar.

For more information please refer to data sheet.

The PE4326 is a modular design and allows pilot solenoids and position feedback switchboxes to be fitted with ease, allowing simple automation.

For more information on automation and control of your process pipelines please see our blogs and online tuition videos.



Pilot Solenoid

**Part Number
AP9026**



**Electric Feedback
Signal**

**Part Number
VO210**

All information is sourced from our manufacturer's data and is intended for guidance only - Valves Online can accept no liability for changes, omissions or errors.

