



## Pneumatic Actuated ABS Double Union Ball Valve. Type DURAPIPE VKD

- Size Range 1/2" - 2", D16-D63
- ABS Body, Full Flow
- EPDM or FKM Seals
- Choice of SR or DA Actuator
- Remote Isolating of Flow
- Imperial and Metric Connections
- Suitable for Aggressive Media

### > Description

The VKD DualBlock® ABS ball valve offers a true union ends. This valve stands up to the most severe industrial applications and is probably one of the most technically advanced on the market. The valve is fitted onto a powerful Pneumatic actuator, offered in either Spring Return or Double Acting and linked together via a special purpose mounting bracket. Offered with a choice of connections and seat materials (EPDM and FKM). All built and tested in house.

Maximum working pressure: 16 bar at 20°C. The valve has resistance to many inorganic chemicals, aggressive fluids and has excellent high flow characteristics.

Connections offered are Metric and Imperial solvent socket, Threaded BSP and Flanged PN6/10. Other body materials include PVC.

The actuator is manufactured from aluminum with a hard anodised Finish. All actuators are designed to the latest ISO/Namur standards and they are ATEX Approved. End of stroke adjustment(+ - 5 deg).

The actuator can be fitted with feedback limit switch boxes, pilot solenoids, slow opening/closing devices and many more system additions.



### > Additions

Pilot Solenoids and Switchbox



### Description

Durapipe (FIP) offers a ABS plastic bodied ball valve (Type VKD), fitted with the choice of fail closed and double acting pneumatic actuators, ensuring automatic isolation of flow. This valve has options for both seal material EPDM & FKM and end connections. Sizes range from 3/8" - 2", D20-D63 with metric and imperial solvent weld ends.



### Beschreibung

Durapipe (FIP) bietet einen Kugelhahn mit ABS-Kunststoffgehäuse (Typ VKD) an, der wahlweise mit stromlos geschlossenen und doppelt wirkenden pneumatischen Antrieben ausgestattet ist und eine automatische Absperrung des Durchflusses gewährleistet. Dieses Ventil hat Optionen für beide Dichtungsmaterialien EPDM und FKM und Endanschlüsse. Die Größen reichen von 3/8" - 2", D20-D63 mit metrischen und imperialen Quellschweißenden.



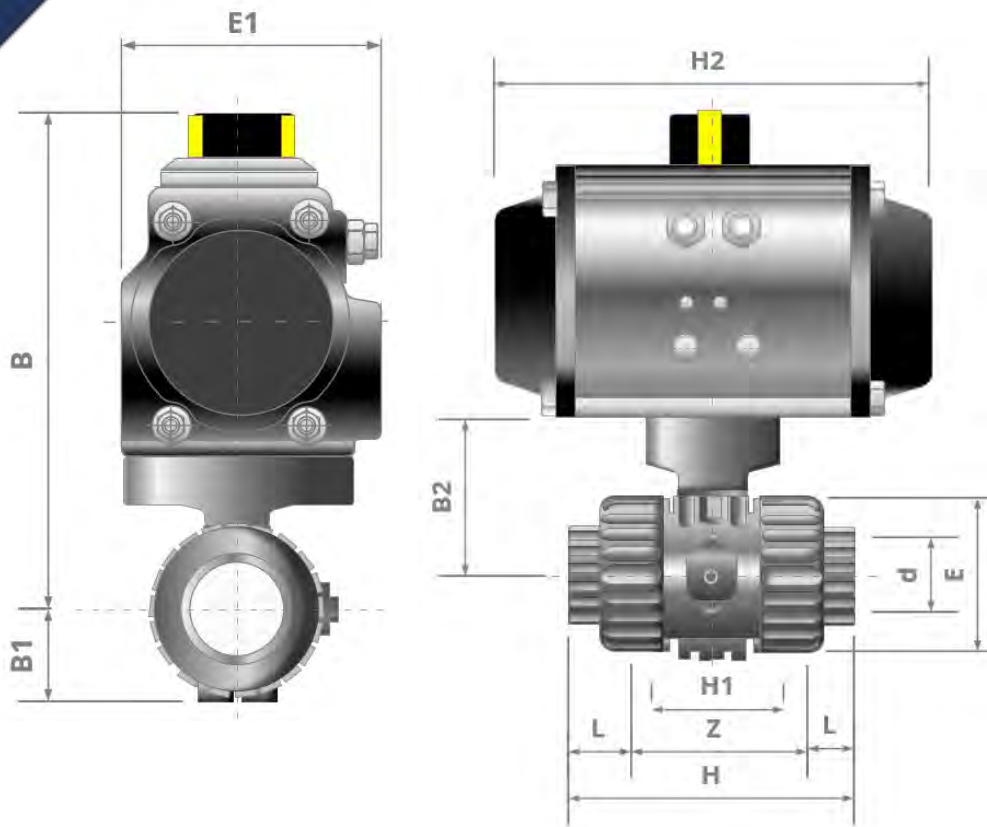
### Descripción

Durapipe (FIP) ofrece una válvula de bola con cuerpo de plástico ABS (Tipo VKD), equipada con la opción de actuadores neumáticos de doble acción y cierre en caso de falla, lo que garantiza el aislamiento automático del flujo. Esta válvula tiene opciones tanto para material de sellado EPDM y FKM como para conexiones finales. Los tamaños van desde 3/8" - 2", D20-D63 con extremos de soldadura solvente métricos e imperiales.



### Description

Durapipe (FIP) propose une vanne à boisseau sphérique à corps en plastique ABS (type VKD), équipée d'un choix d'actionneurs pneumatiques fermés et à double effet, assurant une isolation automatique du débit. Cette vanne a des options pour les matériaux d'étanchéité EPDM et FKM et les raccords d'extrémité. Les tailles vont de 3/8" à 2", D20-D63 avec extrémités à souder à solvant métriques et impériales.



## Pneumatic Actuator on VKD Ball Valve BS Imperial Socket Ends

- 1/2" - 2", D15-D50
- EPDM or FKM Seats
- Full Bore
- BS Imperial Socket end connections
- Modular system
- Namur Interface
- Spring Return Option
- Double acting Option

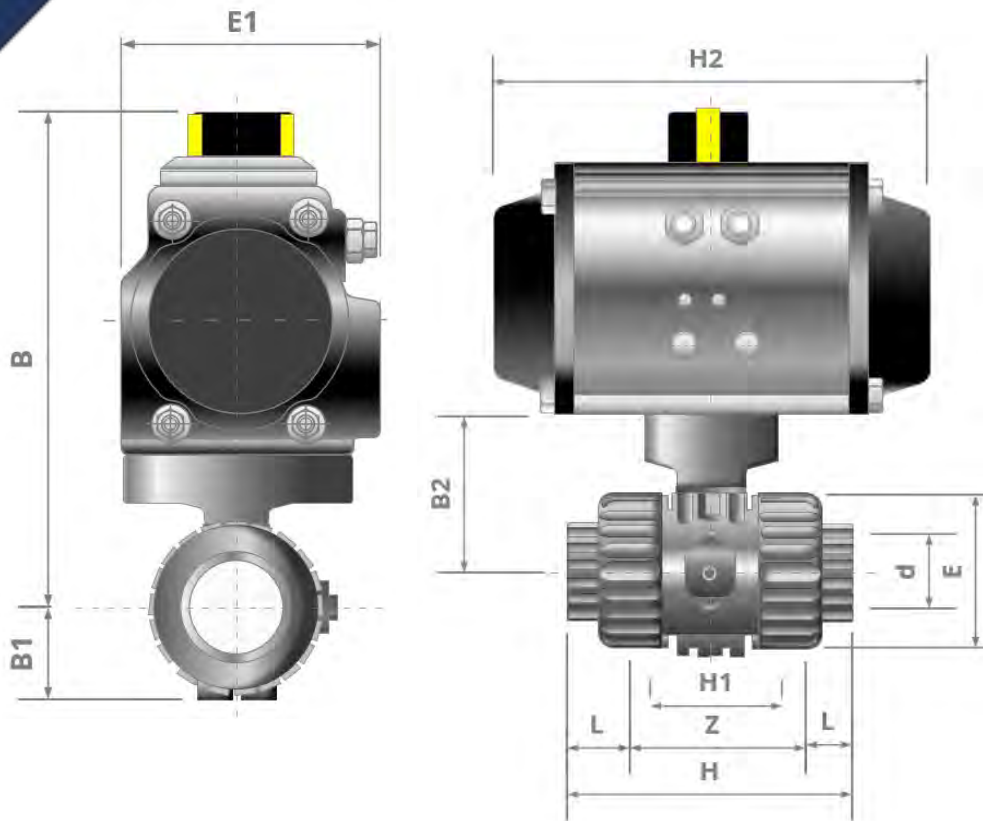
➤ Serial/Series Number VKDLV-AP9001

## Spring Return Actuator with BS Imperial Socket Ends

d	DN	PN	Actuator	H	E	H1	H2	L	Z	B	B1	B2	E1
1/2"	15	16	HP50S	103	54	65	192	16.5	70	151	29	58	72
3/4"	20	16	HP50S	115	65	70	192	19	77	162	34.5	69	72
1"	25	16	HP50S	128	73	78	192	22.5	83	167	39	74	72
1 1/4"	32	16	HP63S	146	86	88	192	26	94	198	46	91	85
1 1/2"	40	16	HP63S	164	98	91	192	30	104	207	52	97	85
2"	50	16	HP66S	199	122	111	205	36	127	221	62	114	85

## Double Acting Actuator with BS Imperial Ends Ends

d	DN	PN	Actuator	H	E	H1	H2	L	Z	B	B1	B2	E1
1/2"	15	16	HP50D	103	54	65	192	16.5	70	151	29	58	72
3/4"	20	16	HP50D	115	65	70	192	19	77	162	34.5	69	72
1"	25	16	HP50D	128	73	78	192	22.5	83	167	39	74	72
1 1/4"	32	16	HP63D	146	86	88	192	26	94	198	46	91	85
1 1/2"	40	16	HP63D	164	98	91	192	30	104	207	52	97	85
2"	50	16	HP66D	199	122	111	205	36	127	221	62	114	85



### Pneumatic Actuator on VKD Ball Valve Metric Socket Ends

- 16mm – 63mm, D10-D50
- EPDM or FKM Seats
- Full Bore
- Metric Socket end connections
- Modular system
- Namur Interface
- Spring Return Option
- Double acting Option

### > Serial/Series Number VKDIV-AP9001

#### Spring Return Actuator with Metric Socket Ends

d	DN	PN	Actuator	H	E	H1	H2	L	Z	B	B1	B2	E1
16	10	16	HP50S	103	54	65	144	14	75	151	29	58	72
20	15	16	HP50S	103	54	65	144	16	71	151	29	58	72
25	20	16	HP50S	115	65	70	144	19	77	162	34.5	69	72
32	25	16	HP50S	128	73	78	144	22	84	167	39	74	72
40	32	16	HP63S	146	86	88	163	26	94	198	46	91	85
50	40	16	HP63S	164	98	91	163	31	102	198	52	97	85
63	50	16	HP66S	199	122	111	202	38	123	221	62	114	85

#### Double Acting Actuator with Metric socket Ends

d	DN	PN	Actuator	H	E	H1	H2	L	Z	B	B1	B2	E1
16	10	16	HP50D	103	54	65	192	14	75	151	29	58	72
20	15	16	HP50D	103	54	65	192	16	71	151	29	58	72
25	20	16	HP50D	115	65	70	192	19	77	162	34.5	69	72
32	25	16	HP50D	128	73	78	192	22	84	167	39	74	72
40	32	16	HP63D	146	86	88	192	26	94	198	46	91	85
50	40	16	HP63D	164	98	91	192	31	102	198	52	97	85
63	50	16	HP66D	199	122	111	205	38	123	221	62	114	85

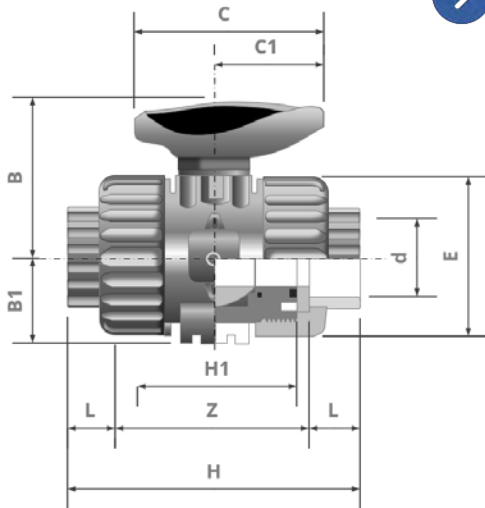
All information is sourced from our manufacturer's data and is intended for guidance only - Valves Online can accept no liability for changes, omissions or errors.



### Serial/Series Number VKDLA-BS Imperial Socket

ABS plastic bodied ball valve. Offered as either a manual isolating valve and easily adapted to operate with actuators, this valve has options for both seal material. Sizes range from 1/2" - 2" BS Imperial Socket.

#### SKU-BV5521



**Dimensions - BS 5392 Female Solvent Ends**

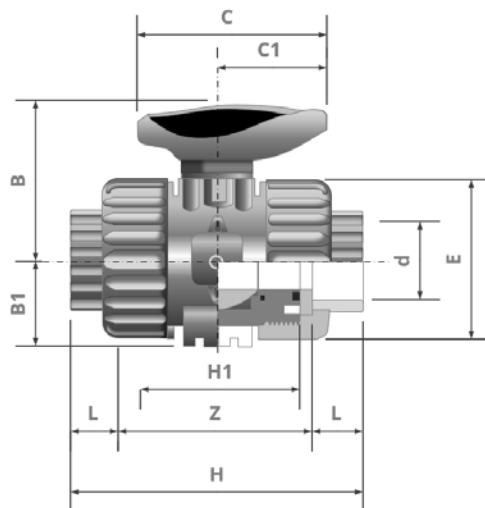
d	DN	PN	L	Z	H	H1	E	B	B1	C	C1	N/m
1/2"	15	16	16.5	70	103	65	54	54	29	67	40	3
3/4"	20	16	19	77	115	70	65	65	34.5	85	49	4
1"	25	16	22.5	83	128	78	73	69.5	39	85	49	6
1 1/4"	32	16	26	94	146	88	86	82.5	46	108	64	7
1 1/2"	40	16	30	104	164	91	98	89	52	108	64	10
2"	50	16	36	127	199	111	122	108	62	134	76	16



### Serial/Series Number VKDIA-Metric Socket

Abs plastic bodied ball valve. Offered as either a manual isolating valve and easily adapted to operate with actuators, this valve has options for both seal material. Sizes range from 16mm - 63mm Metric Socket.

#### SKU-BV5522



**Dimensions - Female Metric Ends**

d	DN	PN	L	Z	H	H1	E	B	B1	C	C1	N/m
16	10	16	14	75	103	65	54	54	29	67	40	3
20	15	16	16	71	103	65	54	54	29	67	40	4
25	20	16	19	77	115	70	65	65	34.5	85	49	6
32	25	16	22	84	128	78	73	69.5	39	85	49	7
40	32	16	26	94	146	88	86	82.5	46	108	64	9
50	40	16	31	102	164	91	98	89	52	108	64	10
63	50	16	38	123	199	111	122	108	62	134	76	16



## > Serial/Series Number AP9001

The HP Series Pneumatic Actuator body is manufactured from extruded aluminium alloy and is hard anodised to protect both internal and external surfaces against corrosion.

The end caps are diecast aluminium and are coated with polyester.

The pinion shaft is nickel plated alloy steel and the pistons are diecast aluminium.

Self lubricating (polypropylene + GF) piston guides provide travel stability & NBR seals are suitable for standard temperature range.

(Viton seals are available for higher or lower temperature ranges).

All actuators have travel stops for both open and closed position. Springs are pre-loaded to ensure safety when removing end caps.

Double acting actuators can easily be converted to spring return and visa versa.

All actuators are designed to the latest ISO/Namur standards and are ATEX approved.

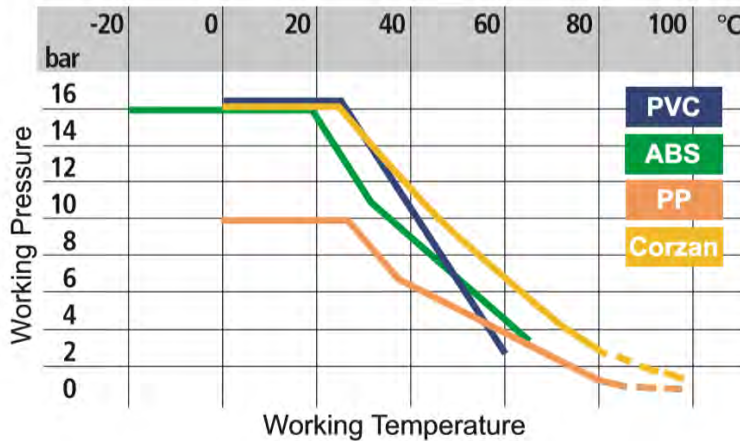


### Specification

Working Pressure	: Double Acting 2.5 - 8 Bar
	: Single Acting 2.5 - 8 Bar
Air Supply	: Air or non corrosive gas (ie Nitrogen)
Working Temperature	: From -20°C to +80°C (-35°C to +80°C & -20°C to +150°C options available)
Lubrication	: Lubricated for normal working life
Rotation	: Anti clockwise opening To reverse actuator rotation, invert pistons
Movement	: Rotation 90 Adjustable 5 each end of stroke)
Certification Available	: SIL2, ATEX, PED, CE, RINA (Marine)



## ➤ Dimensions and Standards



Pressure/temperature rating for water and harmless fluids to which the material is RESISTANT. In other cases a reduction of the PN is required. (25 years with safety factor).

DN	10	15	20	25	32	40	50
$k_{v100}$	80	200	385	770	1100	1750	3400

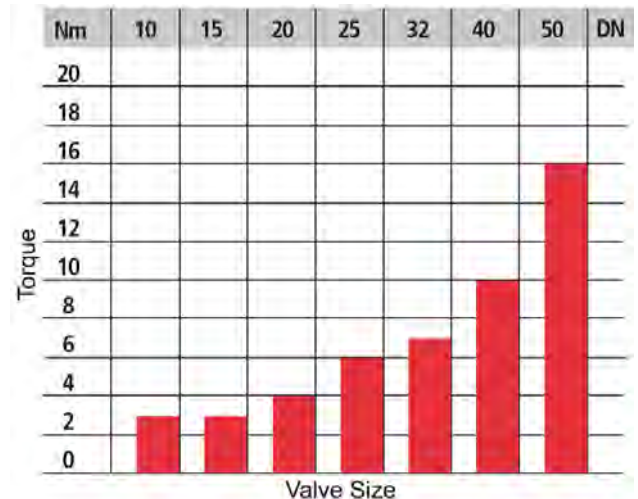
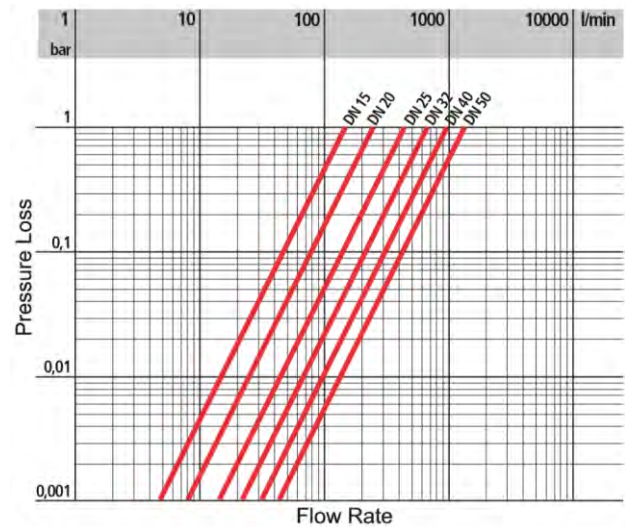
### Flow coefficient $k_{v100}$

$k_{v100}$  is the number of litres per minute of water at a temperature of 20°C that will flow through a valve with a one bar pressure differential at a specified rate. The  $k_{v100}$  values shown in the table are calculated with the valve fully open.

**Imperial** The Imperial System is manufactured in accordance with the relevant British Standards: BS 5392 fittings.

**Metric** The Metric System is manufactured generally in accordance with the relevant International Standards: ISO 15493, KIWA 49 and 549, DIN 8062 and 8063.

**BSP Thread** Threaded fittings conform to the requirements of BS 21/DIN 2999/ISO7. Socket dimensions of metric fittings for solvent welding comply with ISO/DIS 727-1. Interchangeability Components in the imperial and metric ranges are not interchangeable

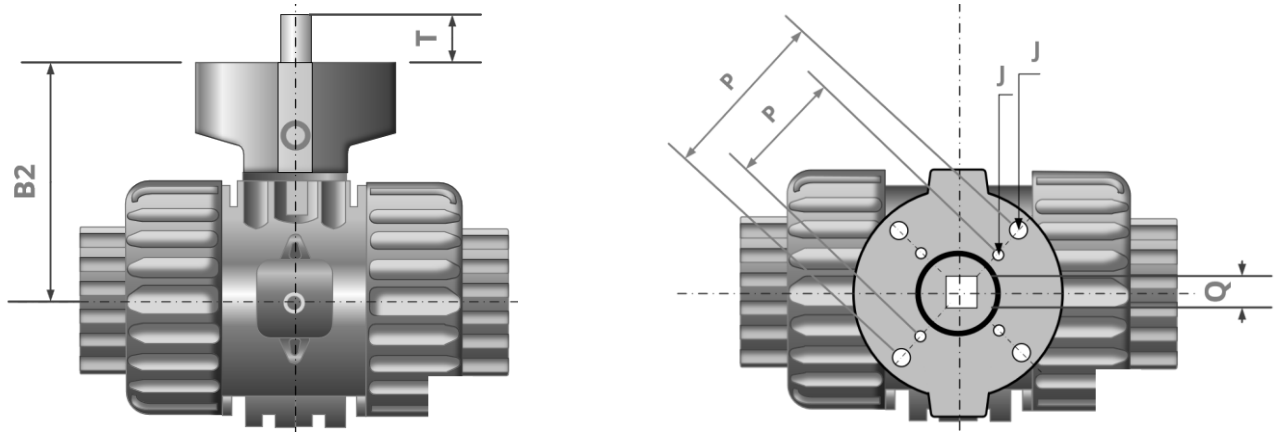


DN (nominal bore)	Metric Size (mm)	Imperial Size (inch)
10	16	3/8"
15	20	1/2"
20	25	3/4"
25	32	1"
32	40	1 1/4"
40	50	1 1/2"
50	63	2"
65	75	2 1/2"
80	90	3"
100	110	4"
125	140	5"
150	160	6"
200	225	8"
250	250	10"
300	315	12"

All information is sourced from our manufacturer's data and is intended for guidance only - Valves Online can accept no liability for changes, omissions or errors.

## > Accessories

### Mounting Bracket



The valve can be supplied actuated, pneumatic or electric, by our Actuation Department. The GR-PP mounting bracket (with standard ISO 5211 drillings) can be supplied for self-actuation and/or retrofitting of actuators to installed valves

d	DN	B2	Q	T	P x J	P x J	Product Code
1/2" - 20	15	58	11	12	F03 x 5.5	F04 x 5.5	KTPQPEF
3/4" - 25	20	69	11	12	F03 x 5.5	F05 x 6.5	KTPQPGG
3/4" - 25	20	69	11	12		F04 x 5.5	KTPQPG4
1" - 32	25	74	11	12	F03 x 5.5	F05 x 6.5	KTPQPHH
1" - 32	25	74	11	12		F04 x 5.5	KTPQPH4
1 1/4" - 40	32	91	14	16	F05 x 6.5	F07 x 7.5	KTPQPII
1 1/2" - 50	40	97	14	16	F05 x 6.5	F07 x 7.5	KTPQPJJ
2" - 63	50	114	14	16	F05 x 6.5	F07 x 7.5	KTPQPLL



### Electric

Valves  
J+J  
HQ004

All information is sourced from our manufacturer's data and is intended for guidance only - Valves Online can accept no liability for changes, omissions or errors.

