

## PNEUMATIC ACTUATED

## ECONOMY KNIFE GATE VALVE

## Key features:

- Uni-directional design
- Cast iron body
- Stainless steel blade
- EPDM seat
- Lugged & tapped to suit PN16
- Sizes available: 2" to 8"
- Working temperature range:  
-20°C to 110°C
- Pressure rating: PN10
- Double acting pneumatic actuator



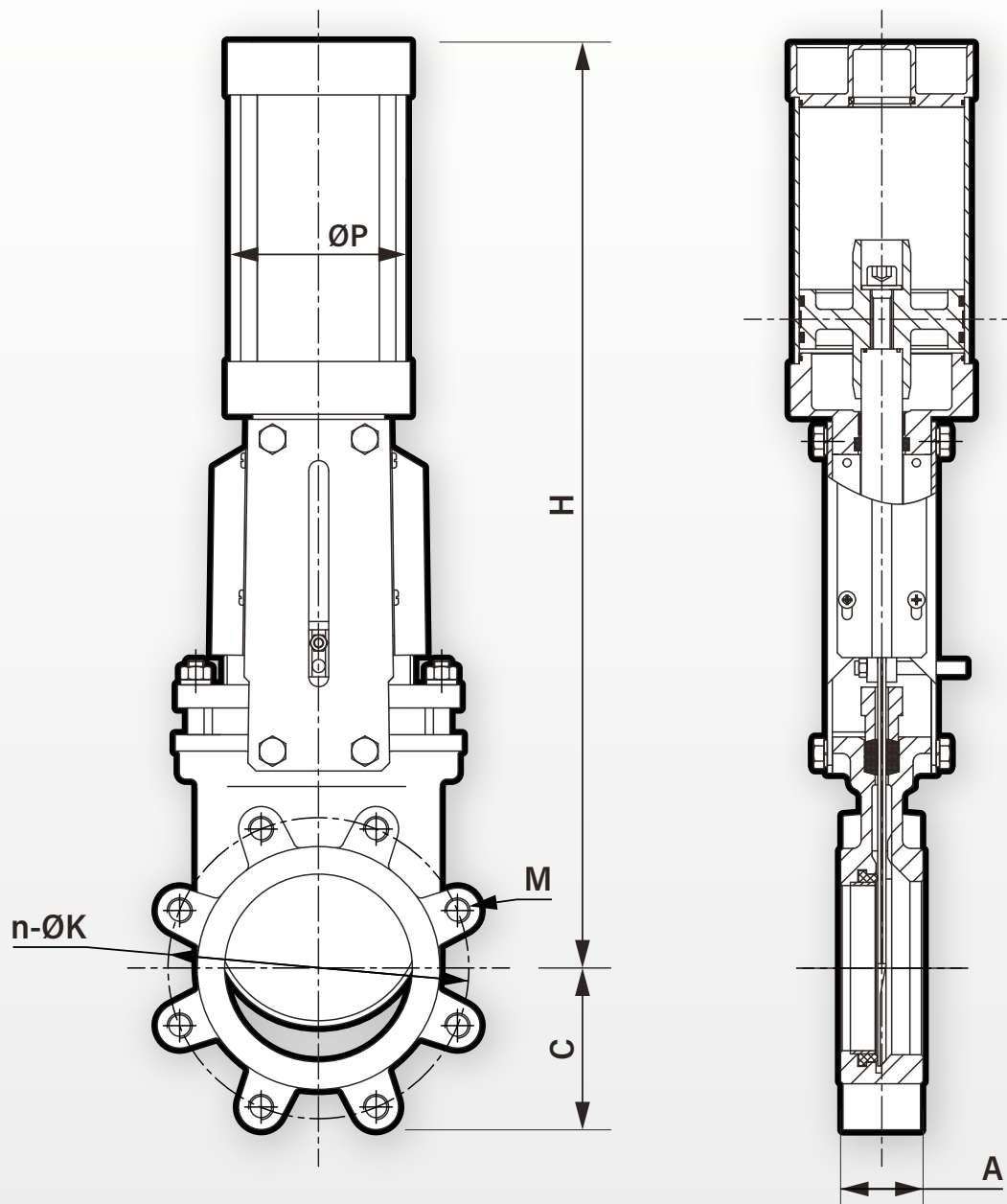
## DETAILS

The unidirectional knife gate valve is EPDM seated and suitable for general industrial applications.

The valve is lugged & tapped to suit PN16 and available in sizes 2" to 8".

## PNEUMATIC ACTUATED

## ECONOMY KNIFE GATE VALVE

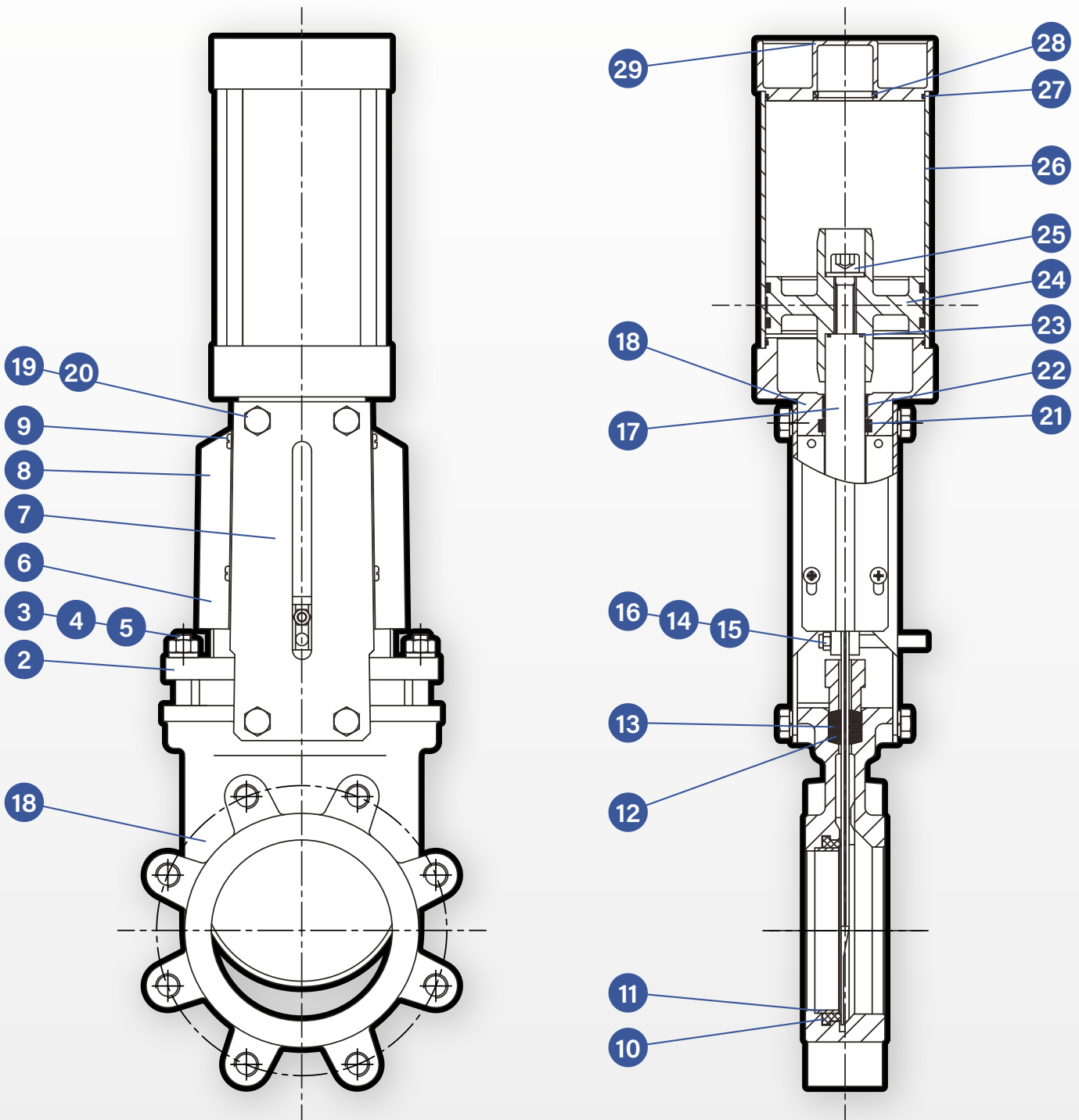


**TABLE 1: DIMENSIONS IN MM**

Size	DN	A	C	H	Air Inlets	P	n	ØK	M
2"	DN50	40	63	417	¼"	100	4	125	M16
2½"	DN65	40	70	433	¼"	100	4	145	M16
3"	DN80	50	92	560	¼"	100	8	160	M16
4"	DN100	50	105	655	¼"	100	8	180	M16
5"	DN125	50	120	655	¼"	125	8	210	M16
6"	DN150	60	130	730	¼"	125	8	240	M20
8"	DN200	60	160	918	¼"	160	12	295	M20

## PNEUMATIC ACTUATED

## ECONOMY KNIFE GATE VALVE



## PNEUMATIC ACTUATED

## ECONOMY KNIFE GATE VALVE

### TABLE 2: MATERIALS

Item	Part	Material
1	Body	GGG40 cast iron
2	Valve cap	GGG40 cast iron
3	Nut	Steel
4	Washer	Steel
5	Stud A bolt	Steel
6	Gate	304 stainless steel
7	Plate stay	Q235 steel
8	Safety guards	304 stainless steel
9	Screw	Steel
10	Seat	EPDM
11	Ring	304 stainless steel
12	Packing	PTFE
13	O-ring	NBR
14	Bolt	304 stainless steel
15	Nut	304 stainless steel
16	Indicator	304 stainless steel
17	Stem	45 chrome plated steel
18	Connect seat	ZG200-400 steel
19	Bolt	Steel
20	Spring washer	Steel
21	Dust-proof sealing	NBR
22	Oil bearing	Composite material
23	Stem gasket	NBR
24	Piston	Aluminium
25	Socket bolt & spring washer	45 steel
26	Cylinder shell	Aluminium
27	Sealing ring	NBR
28	Cushion seal	NBR
29	Cylinder cover	Aluminium

### TABLE 3: PART NUMBERS

Size	SKU
2"	KG5611-100101
2 ½ "	KG5611-100102
3"	KG5611-100103
4"	KG5611-100104
5"	KG5611-100105
6"	KG5611-100106
8"	KG5611-100107