

ECONOMY METAL SEATED

KNIFE GATE VALVE

Key features:

- Uni-directional design
- Cast iron body
- 304 stainless steel gate
- Metal seat
- Handwheel operation
- Rising stem
- Lugged to suit PN10
- Sizes available: 2" to 12"
- Working temperature range:
-20°C to 110°C
- Pressure rating: PN10 (2" to 10"),
PN6 (12")



DETAILS

The unidirectional knife gate valve is metal seated and suitable for general industrial applications.

The valve is lugged to suit PN10 and available in sizes 2" to 12"

ECONOMY METAL SEATED

KNIFE GATE VALVE

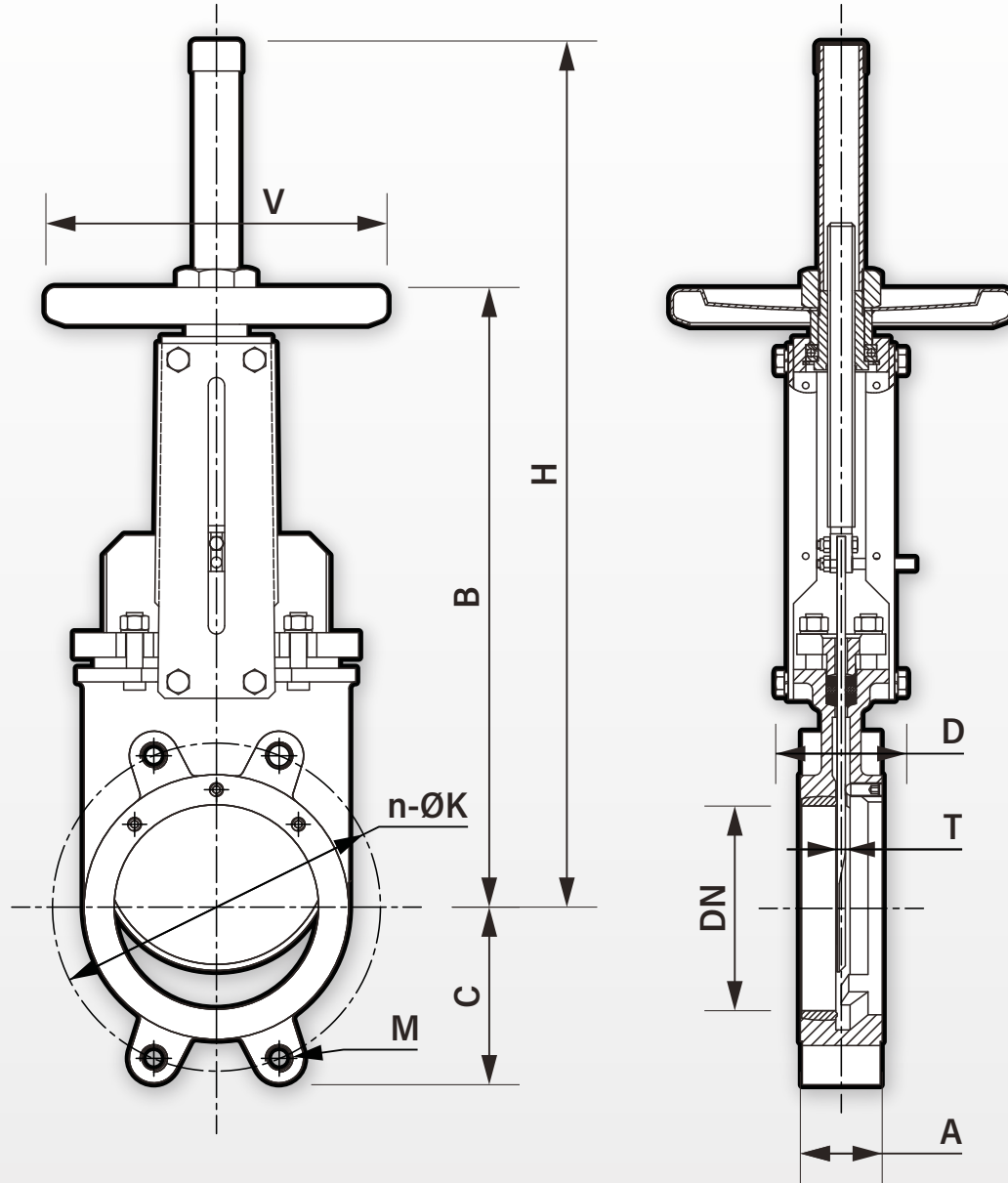


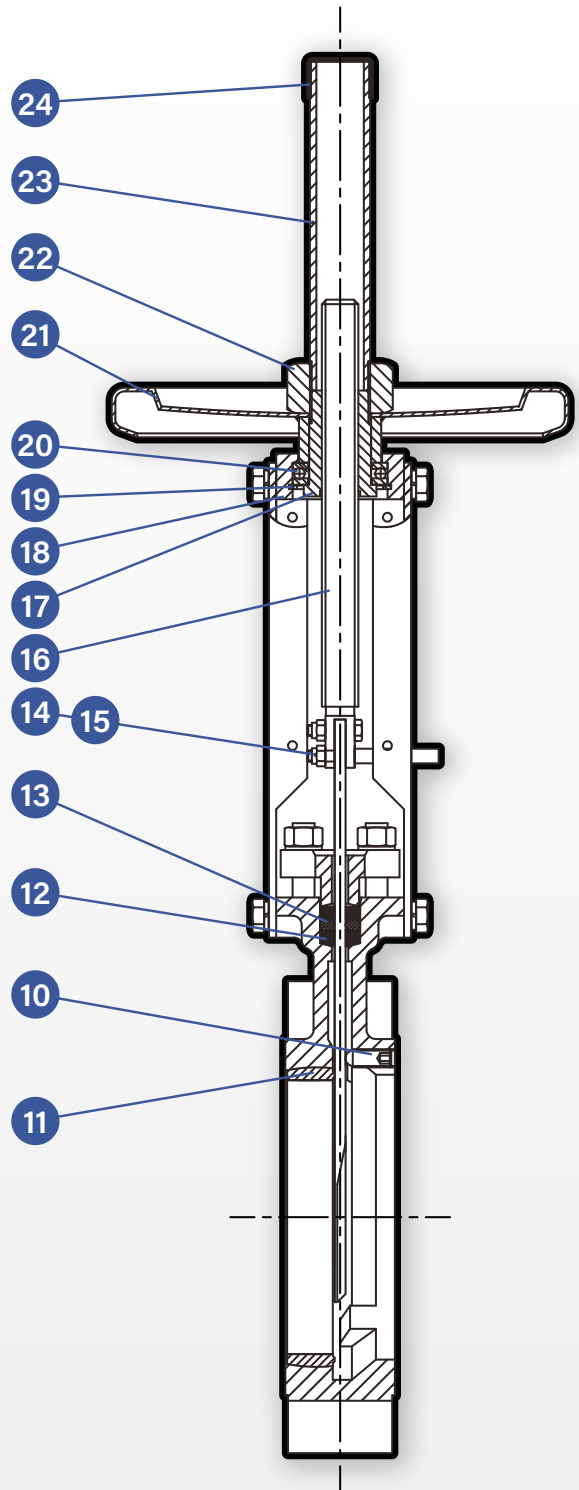
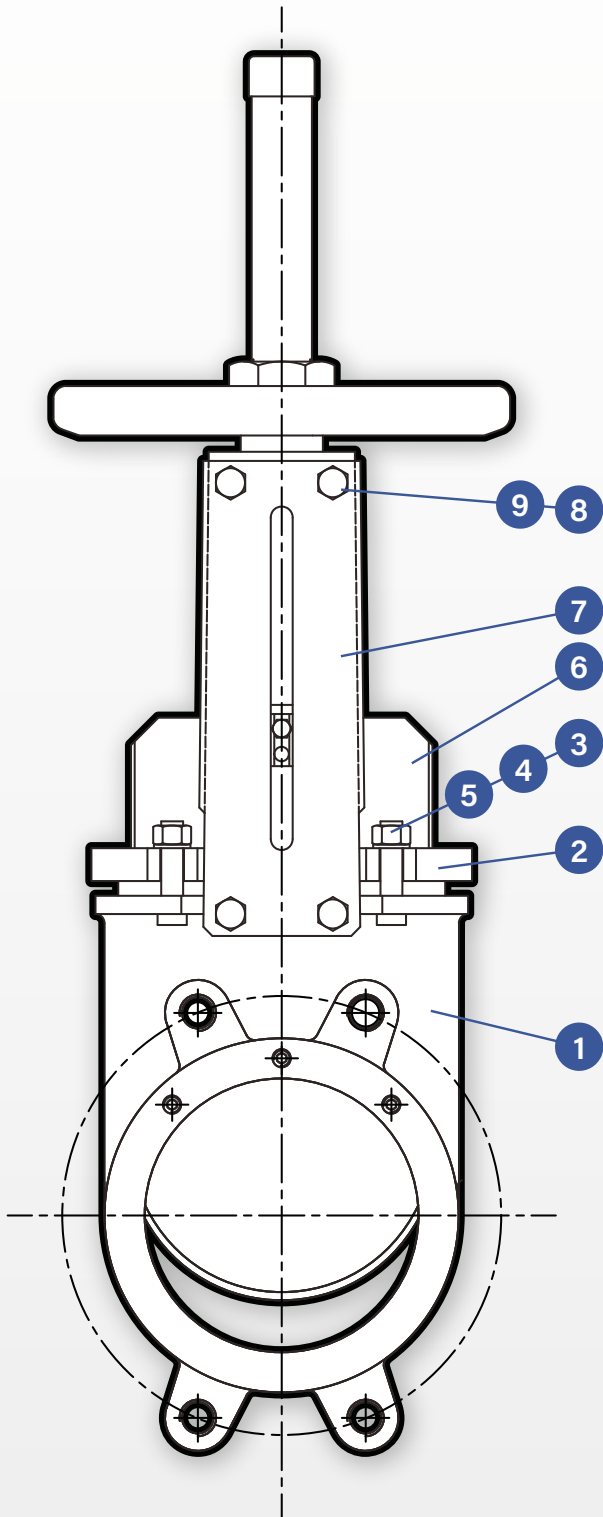
TABLE 1: DIMENSIONS IN MM

Size	DN	A	B	C	D	H	V	ØK	T	n	M	Weight
2"	DN50	40	289	65	87	360	200	125	5	4	M16	9.0 kg
2½"	DN65	40	313	70	87	400	200	145	5	4	M16	11.0 kg
3"	DN80	50	335	95	87	420	200	160	5	8	M16	12.0 kg
4"	DN100	50	380	108	87	488	200	180	5	8	M16	13.0 kg
5"	DN125	50	415	124	98	564	250	210	6	8	M16	18.0 kg
6"	DN150	60	470	135	98	635	250	240	6	8	M20	22.0 kg
8"	DM200	60	580	165	123	809	300	295	8	8	M20	40.0 kg
10"	DN250	70	670	198	123	946	300	355	8	12	M20	50.0 kg
12"	DN300	80	768	234	123	1118	300	410	10	12	M20	65.0 kg

KG5610

ECONOMY METAL SEATED

KNIFE GATE VALVE



ECONOMY METAL SEATED

KNIFE GATE VALVE

TABLE 2: MATERIALS

Item	Part	Material
1	Body	GGG40 cast iron
2	Packing gland	GGG40 cast iron
3	Nut	304 stainless steel
4	Washer	304 stainless steel
5	Stud A bolt	304 stainless steel
6	Gate	304 stainless steel
7	Plate stay	Steel
8	Bolt	304 stainless steel
9	Spring washer	304 stainless steel
10	Bolt	304 stainless steel
11	Seat	304 stainless steel
12	Packing	PTFE
13	O-ring	NBR
14	Position indicator	304 stainless steel
15	Nut	304 stainless steel
16	Stem	304 stainless steel
17	Stem nut	Bronze
18	Connection seat	Steel
19	Closing ring	65MN (5" and above)
20	Bearing	Steel (5" and above)
21	Handwheel	Steel
22	Nut	Steel
23	Hood	Steel
24	Hood cover	Plastic

TABLE 3: PART NUMBERS

Size	SKU
2"	KG5610-100101
2½"	KG5610-100102
3"	KG5610-100103
4"	KG5610-100104
5"	KG5610-100105
6"	KG5610-100106
8"	KG5610-100107
10"	KG5610-100108
12"	KG5610-100109