

Sampling Valve



I Application

The sampling valves are designed to solve the need to take samples in liquid process facilities in the food-processing and chemical industries as well as in all other processes that require sanitary equipment.

I Operating principle

The sample is obtained by unscrewing the head to separate the membrane from its place to allow the fluid to enter the outlet tube.

I Design and features

Ø available: ¼" and ½"
Thread connection ISO 228-1

I Materials

Metal parts	AISI 304L
Pivot lock	PTFE
O-ring	NBR
External surface finish	Electropolished

I Technical specifications

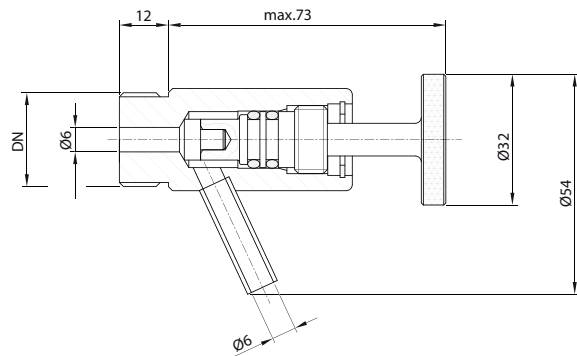
Max. working pressure	6 bar
Min. working pressure	0,1 bar
Temperature	-30°C to 100°C 30°C (SIP, max. 30 min)

I Options

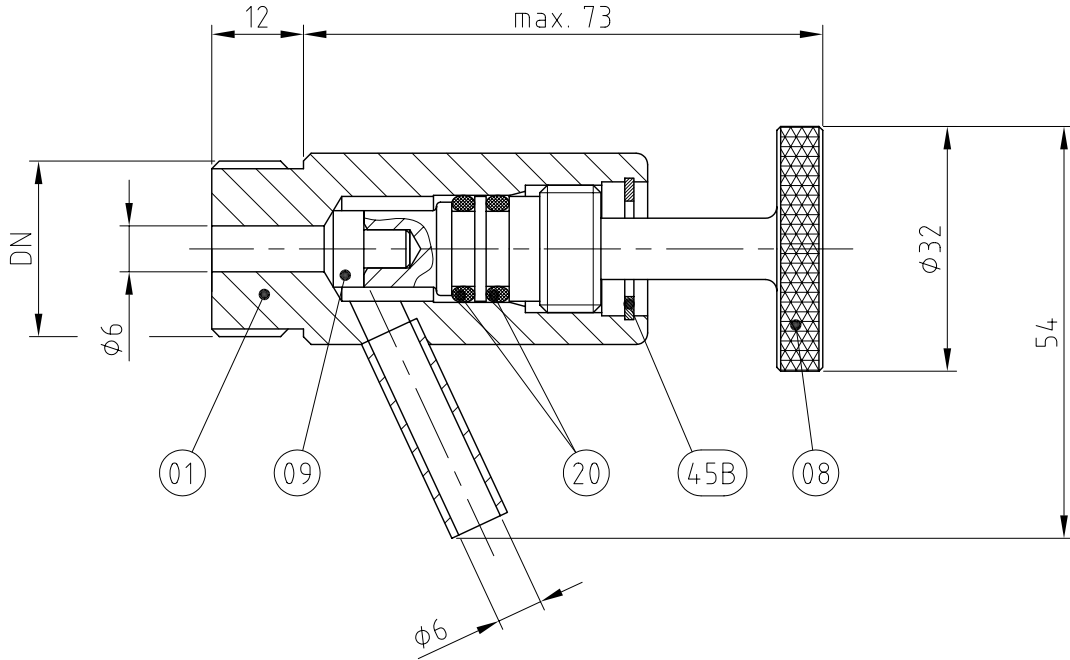
Upper level valve.
Upper level valve drain outlet.
Level valve for drain hose.

I Dimensions

DN
G½"
G¼"



Ed.	Modificació Modification	Data Date	Nom Name

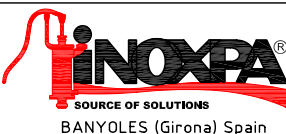


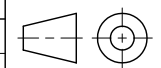
DN	CODI
G 1/4"	V8200-010441006
G 3/8"	V8200-010441010
G 1/2"	V8200-010441015

This document is property of INOXPA, S.A. not being able to be copied, rendered or communicated to third people without previous authorization, on the contrary they took legal actions

Aquesta documentació és propietat d'INOXPA, S.A. no podent ser copiada, derivada o comunicada a tercers persones sense autorització prèvia, en cas contrari es duran a terme accions legals

COTES SENSE TOLERANCIA UNSPECIFIED TOLERANCES ISO 2768-mK	DIMENSIONS NOMINALS NOMINAL DIMENSIONS	0,5-6	>6-30	>30-120	>120-400	>400-1000	>1000-2000	MATERIAL MATERIAL	Nº PECES N ITEMS	ESCALA SCALE	PES Kg WEIGHT Kg
	TOLERANCIES TOLERANCES	±0,1	±0,2	±0,3	±0,5	±0,8	±1,2	--		1/1	

ACABAT SUPERFICIAL SURFACE FINISH	ISO 1302	CONJUNT / ASSEMBLY :	GRIFO SACAMUESTRAS SAMPLE COCK								
		DENOMINACIÓ / DESCRIPTION :	Conjunto (Fig. 8207) Ensemble								

Dibuixat Drawn	Data Date	Nom Name		FORMAT	Nº PLANOL / DRAWING N. :	Nº CODI / CODE N. :
Comprovat Checked	24-08-10	S. Vega		A4	10.600.03.0001	According to drawing