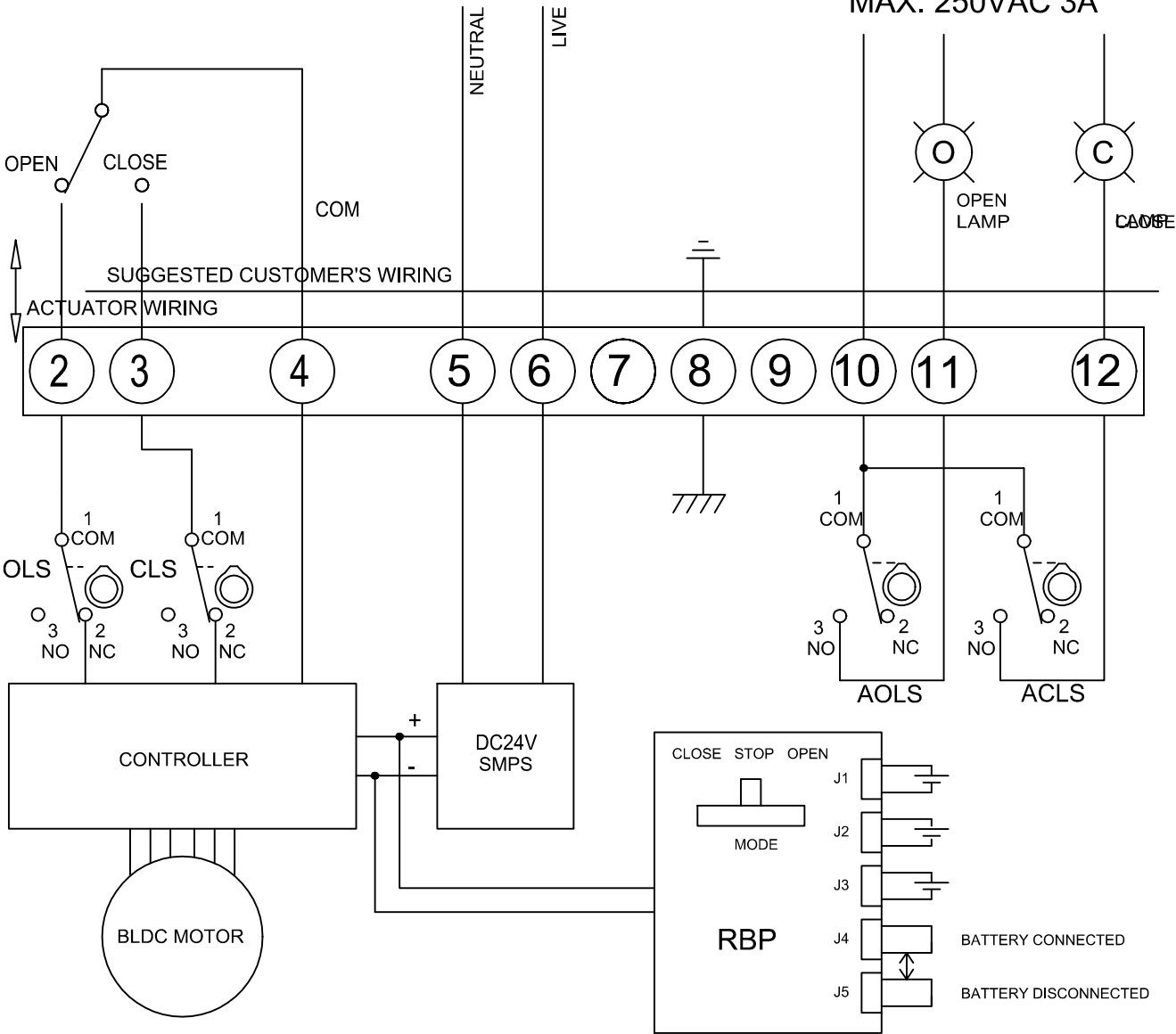


INCOMING POWER
AC95-265V

AUX. CONTACT
2 EXTRA SWITCHES
MAX. 250VAC 3A



NOTE.
TO PUT BATTERY IN CIRCUIT MOVE JUMPER FROM J5 TO J4
SET FAIL MODE USING THE SELECTOR SWITCH: OPEN, STOP OR CLOSE

TORQUE AND LIMIT SWITCH OPERATION

SWITCH	CLOSE ←	INTERMEDIATE	→ OPEN
CLS 1-2			
CLS 1-3			
OLS 1-2			
OLS 1-3			
ACLS 1-2			
ACLS 1-3			
AOLS 1-2			
AOLS 1-3			

SYMBOL	DESCRIPTION	RATING
CLS	CLOSE LIMIT SWITCH	250VAC 5A
OLS	OPEN LIMIT SWITCH	250VAC 5A
ACLS	AUX. CLOSE LIMIT SWITCH	250VAC 5A
AOLS	AUX. OPEN LIMIT SWITCH	250VAC 5A

*EACH ACTUATOR SHOULD BE POWERED THROUGH IT'S OWN INDIVIDUAL SWITCH OR RELAY CONTACTS TO PREVENT CROSS FEED BETWEEN TWO OR MORE ACTUATORS.

DRAW	J.S.KIM	CHECK	
DESIGN	S.G.KANG	APPR.	

PART NAME		BLDC WIRING DIAGRAM RBP	
DWG. NO		HQ-203-AR	
DATE	2020.04.09	ISSUE REF:	A

HQ-005
APPLICATION