

CLASS 800 FORGED

STAINLESS STEEL 316L GATE VALVE

A Class 800lb, heavy duty gate valve with the following key features:

- Forged stainless steel 316L body
- Bolted bonnet
- Screwed BSP, NPT or socket-weld end connections
- Sizes available: 1/2" to 2"
- Working temperature range: -29°C to 425°C
- Pressure rated up to 138 bar



DETAILS

This heavy duty class 800 stainless steel gate valve is suitable for the most demanding of process applications.

When open the media will flow with a minimal amount of turbulence and pressure drop through the valve.

Suitable for use in industries where the isolation of viscous fluids and liquid are required.

Available with BSP, NPT, and socket-weld end connections in sizes: 1/2" (DN15), 3/4" (DN20), 1" (DN25), 1 1/2" (DN40), and 2" (DN50).

It has an outside screw and yolk with a rising stem. The

handwheel operates the globe valve for isolation applications.

These valves provide a positive tight shut off in the horizontal or vertical position for process fluids in pipelines.

The valves have a working temperature range of -29°C to 425°C and a maximum working pressure of 138 bar.

Designed to API 602 and tested to API 598.

Call 01822 855600 to discuss your project or application further with a member of our technical team or contact us via our online form.

CLASS 800 FORGED

STAINLESS STEEL 316L GATE VALVE

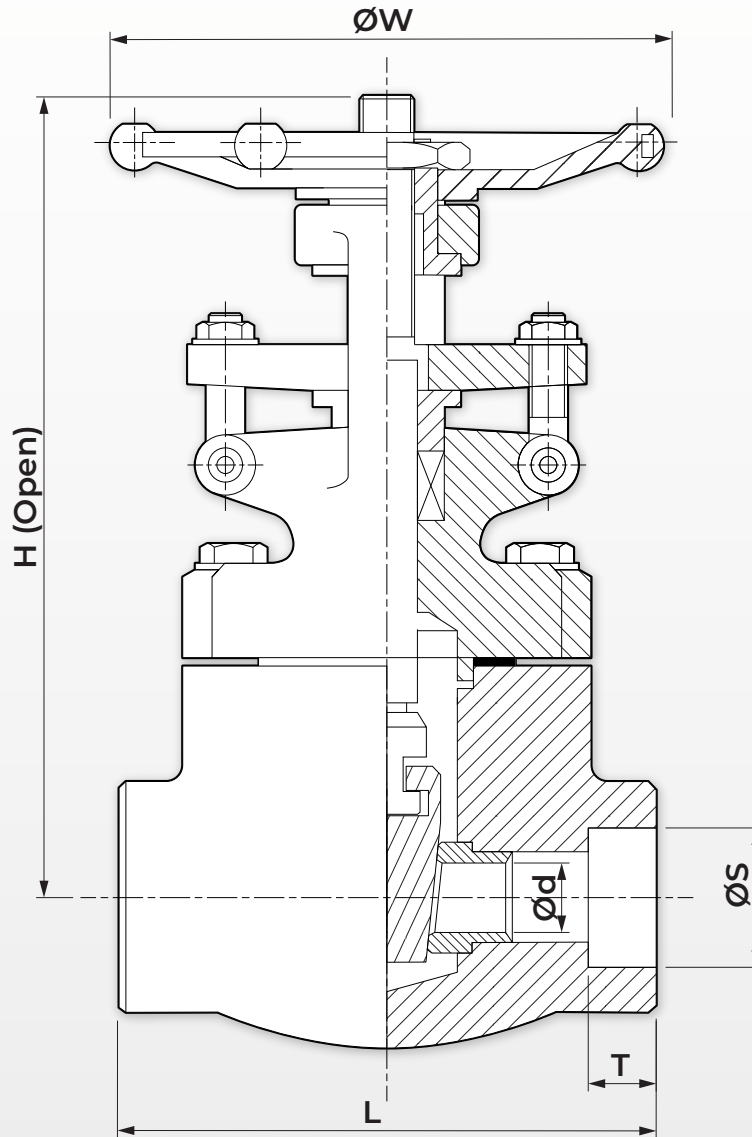


TABLE 1: DIMENSIONS IN MM

Size	L	H (Open)	ØW	ØS	T	Ød	Weight
½"	79	160	100	21.8	10	10.5	1.6 kg
¾"	92	166	100	27.2	13	13.5	2.0 kg
1"	111	198	125	33.9	13	17.5	3.2 kg
1-1/2"	120	253	160	48.8	13	29.0	6.5 kg
2"	140	286	160	61.2	16	36.0	8.5 kg

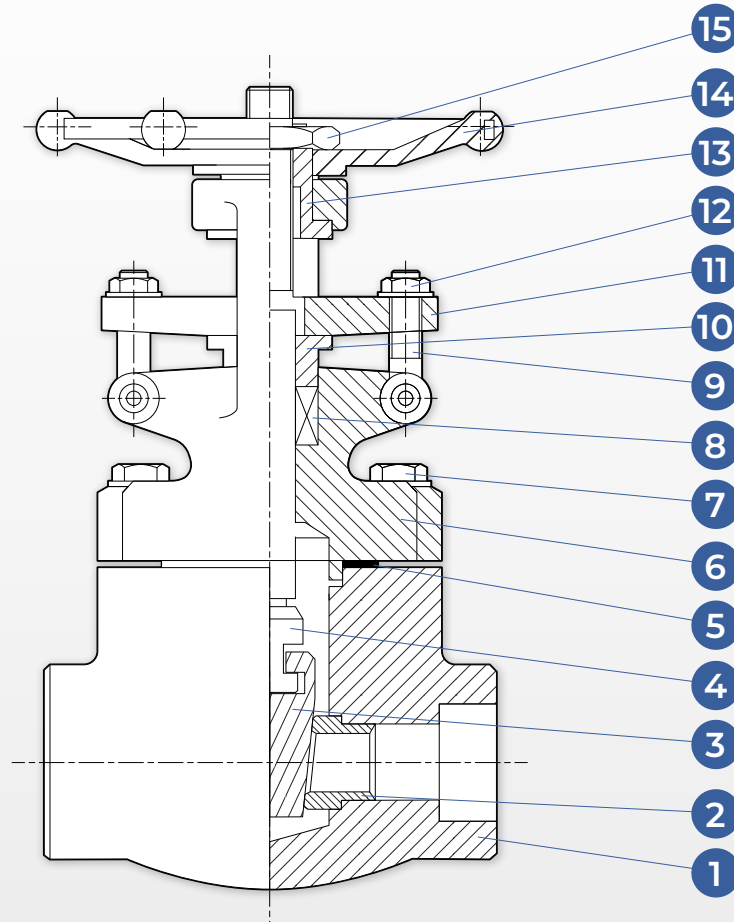


TABLE 2: MATERIALS

Item	Part Name	Material
1	Body	F316L
2	Seat	F316+ST6
3	Disc	F316
4	Stem	F316
5	Gasket	SS316+Graphite
6	Bonnet	F316L
7	Bonnet bolt	A193 B8
8	Stem packing	Graphite
9	Bolt	A193 B8
10	Gland	2CR13
11	Gland flange	Stainless steel
12	Nut	A194 Gr 8
13	Stem nut	ANSI 1035
14	Handwheel	A197
15	Handwheel lock nut	Stainless steel
-	Sealing face (disc/seat)	316/ST6

CLASS 800 FORGED
STAINLESS STEEL 316L GATE VALVE
TABLE 3: STANDARDS

Standard	
Design	API 602
Socket-weld ends	ANSI B16.11
Testing	API 598
P/T Rating	ANSI B16.34

TABLE 4: TESTING

Test	Test Result in Mpa
Shell Test - Hydrostatic	20.5
Seat Test - Hydrostatic	15.0
Seat Test - Pneumatic (Air)	0.6

TABLE 5: PART NUMBERS

Size	NPT	BSPT	Socket Weld
½"	GV4702-220670	GV4702-220675	GV4702-220680
¾"	GV4702-220671	GV4702-220676	GV4702-220681
1"	GV4702-220672	GV4702-220677	GV4702-220682
1-1/2"	GV4702-220673	GV4702-220678	GV4702-220683
2"	GV4702-220674	GV4702-220679	GV4702-220684