

## CLASS 800 FORGED

## STAINLESS STEEL 316L GLOBE VALVE

A Class 800lb, heavy duty globe valve with the following key features:

- Forged stainless steel 316L body
- Bolted bonnet
- Screwed BSP, NPT or socket-weld end connections
- Sizes available: 1/2" to 2"
- Working temperature range: -29°C to 425°C
- Pressure rated up to 138 bar



## DETAILS

This forged stainless steel 316L Class 800 globe valve with bolted bonnet is used to provide isolation in pipelines and at the beginning and end of trapping stations.

Typical industries include: boiler plant fuel line, recycling facilities, chemical industry, steam plant, hospitals, schools and HVAC.

Available with BSP, NPT, and socket-weld end connections in sizes: 1/2" (DN15), 3/4" (DN20), 1" (DN25), 1 1/2" (DN40), and 2" (DN50).

Economical yet reliable, this valve has a multitude of uses including throttling and semi-accurate control of process fluids in high-temperature and high-pressure applications.

It has an outside screw and yolk with a rising stem. The handwheel operates the globe valve for both isolation and for throttling applications.

These valves provide a positive tight shut off in the horizontal

or vertical position for process fluids in pipelines.

They also offer a small amount of control and are used to throttle steam, gas or liquids.

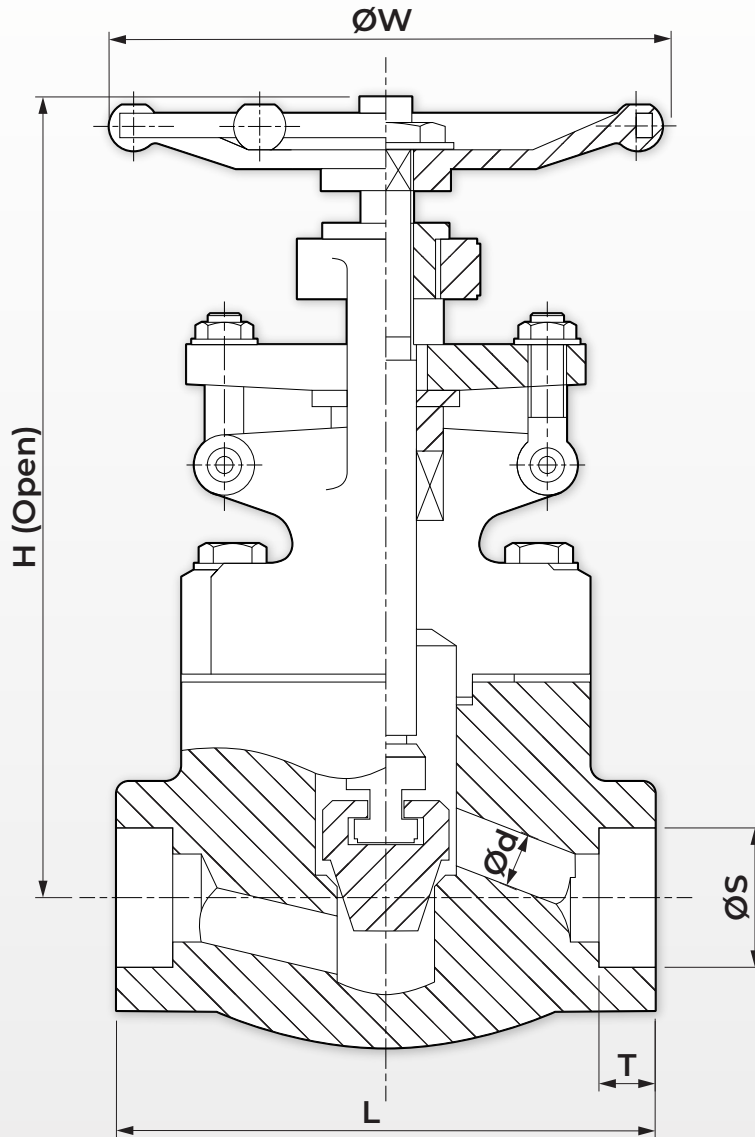
Typical applications include: trapping lines and stations, isolation, condensate lines, before expensive plant equipment and oil burner lines.

Easy to operate and the preferred choice over ball valves by engineers to isolate trapping stations.

The valves have a working temperature range of -29°C to 425°C and a maximum working pressure of 138 bar.

Designed to API602 and tested to API598.

Call 01822 855600 to discuss your project or application further with a member of our technical team or contact us via our online form.



**TABLE 1: DIMENSIONS IN MM**

Size	L	H (Open)	ØW	ØS	T	Ød	Weight in kg
½"	79	160	100	21.8	10	10.5	1.6
¾"	92	166	100	27.2	13	13.5	2.0
1"	111	198	125	33.9	13	17.5	3.2
1-1/2"	120	253	160	48.8	13	29.0	6.5
2"	140	286	160	61.2	16	36.0	8.5

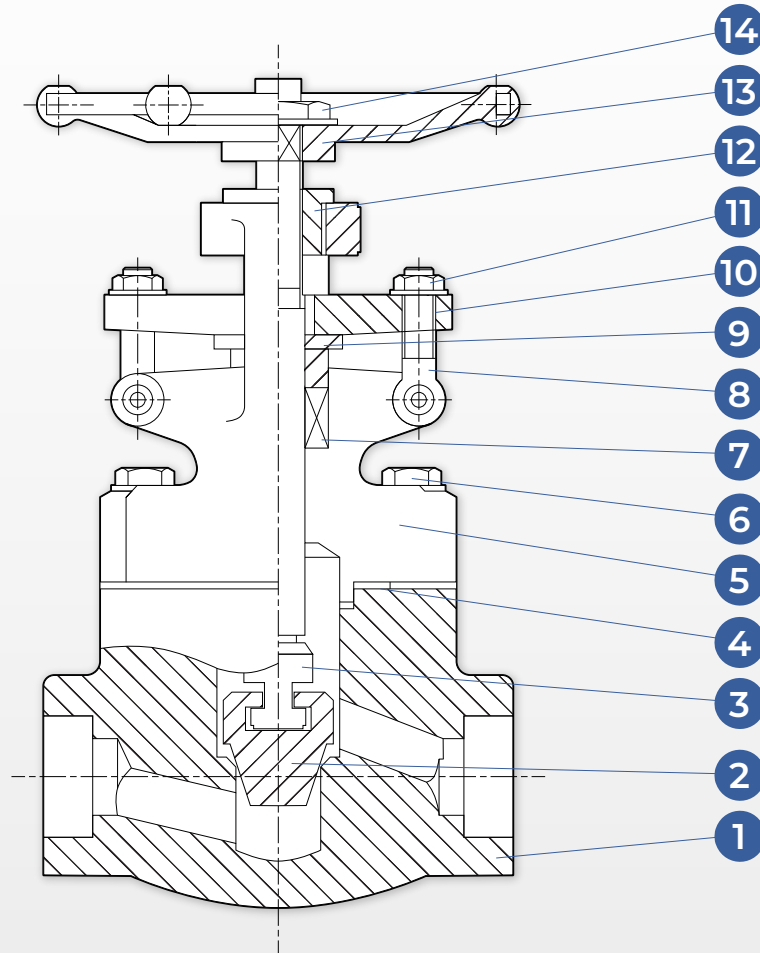


TABLE 2: MATERIALS

Item	Part Name	Material
1	Body	A182 Gr F316L
2	Disc	SS316+STL6
3	Stem	F316
4	Gasket	SS316 + Graphite
5	Bonnet	A182 Gr F316L
6	Bolt	A193 B8
7	Stem packing	Graphite
8	Bolt	A193 B8
9	Gland	SS316
10	Gland flange	Carbon steel
11	Nut	A194 Gr 8
12	Stem nut	ANSI 1035
13	Handwheel	A197
14	Handwheel lock nut	Carbon steel
-	Sealing face (disc/seat)	STL6/SS316

**CLASS 800 FORGED**
**STAINLESS STEEL 316L GLOBE VALVE**
**TABLE 3: STANDARDS**

Design	API 602
NPT screwed ends	ANSI B1.20.1
Socket-weld ends	ANSI B16.11
Testing	API 598
P/T Rating	ANSI B16.34

**TABLE 4: TESTING**

Test	Test Result in Mpa
Shell Test - Hydrostatic	20.5
Seat Test - Hydrostatic	15.0
Seat Test - Pneumatic (Air)	0.6

**TABLE 5: PART NUMBERS**

Size	NPT	BSPT	Socket Weld
½"	GV4701-220630	GV4701-220635	GV4701-220640
¾"	GV4701-220631	GV4701-220636	GV4701-220641
1"	GV4701-220632	GV4701-220637	GV4701-220642
1-1/2"	GV4701-220633	GV4701-220638	GV4701-220643
2"	GV4701-220634	GV4701-220639	GV4701-220644