



## Ductile Iron Gate Valve Flanged PN16

- Complies with BS5163 Pt1 & 2: 2004
- PN16 Rated
- Brass Trim
- Handwheel Operated
- WRAS Components

### Description

Suitable to fit between PN16 flanges, this ductile iron epoxy coated gate valve is designed for general purpose, HVAC and industrial applications.

Operated via a robust handwheel attached to a non rising inside screw stem.

The valve has a brass trim and is suitable for temperatures from – 10° C up to 70° C.



### Description

Ductile iron gate valve, epoxy coated. Complies with BS5163. Hand wheel operated, brass trim, inside screw and non rising stem. Sizes range from 2" (DN50) up to 12" (DN300). PN16 rated. Flanged BS EN 1092-2  
Conforms to BS5163 Pt. 1 & 2 - 2004



### Beschreibung

Absperrschieber aus duktilem Gusseisen, epoxidbeschichtet. Entspricht BS5163. Handradbetätigt, Messingbesatz, Innenschraube und nicht steigender Schaft. Die Größen reichen von 2" (DN50) bis 12" (DN300). PN16 bewertet. Flansch BS EN 1092-2  
Entspricht BS5163 Pt. 1 & 2 - 2004



### Descripción

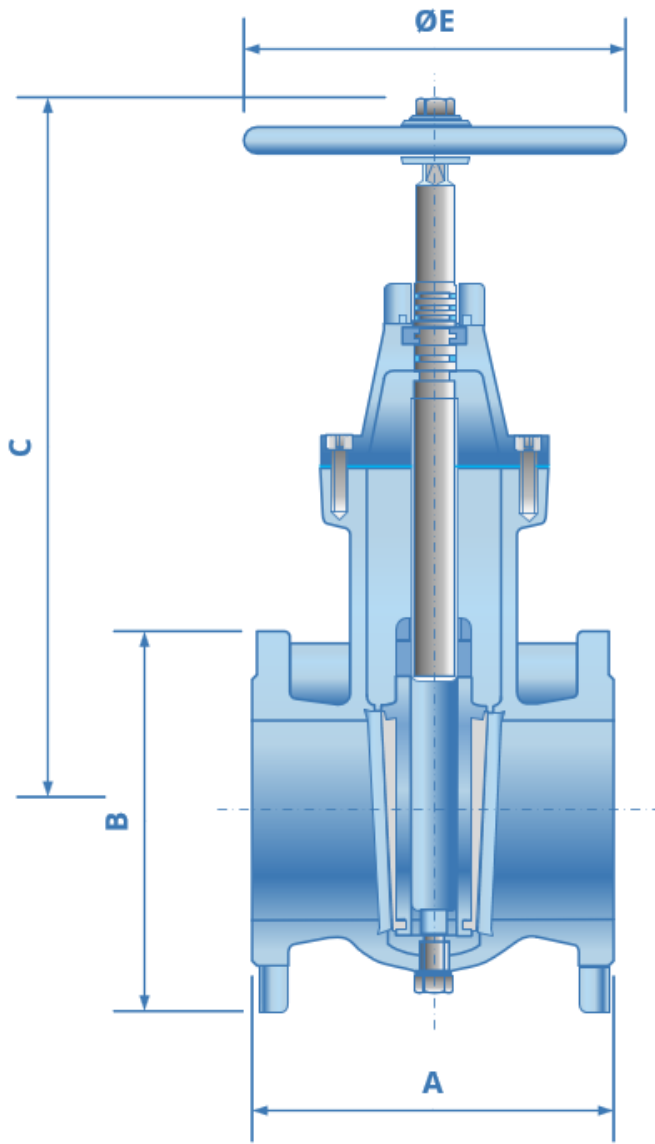
Válvula de compuerta de hierro dúctil, recubierta de epoxi. Cumple con BS5163. Accionado por volante, embellecedor de latón, tornillo interior y vástago no ascendente. Los tamaños van desde 2" (DN50) hasta 12" (DN300). Clasificación PN16. Brida BS EN 1092-2  
Cumple con BS5163 Pt. 1 y 2 - 2004



### Description

Robinet-vanne en fonte ductile, revêtement époxy. Conforme à BS5163. Commande par volant, garniture en laiton, vis intérieure et tige non montante. Les tailles vont de 2" (DN50) à 12" (DN300). Classé PN16. À bride BS EN 1092-2  
Conforme à BS5163 Pt. 1 & 2 - 2004

# GV4210

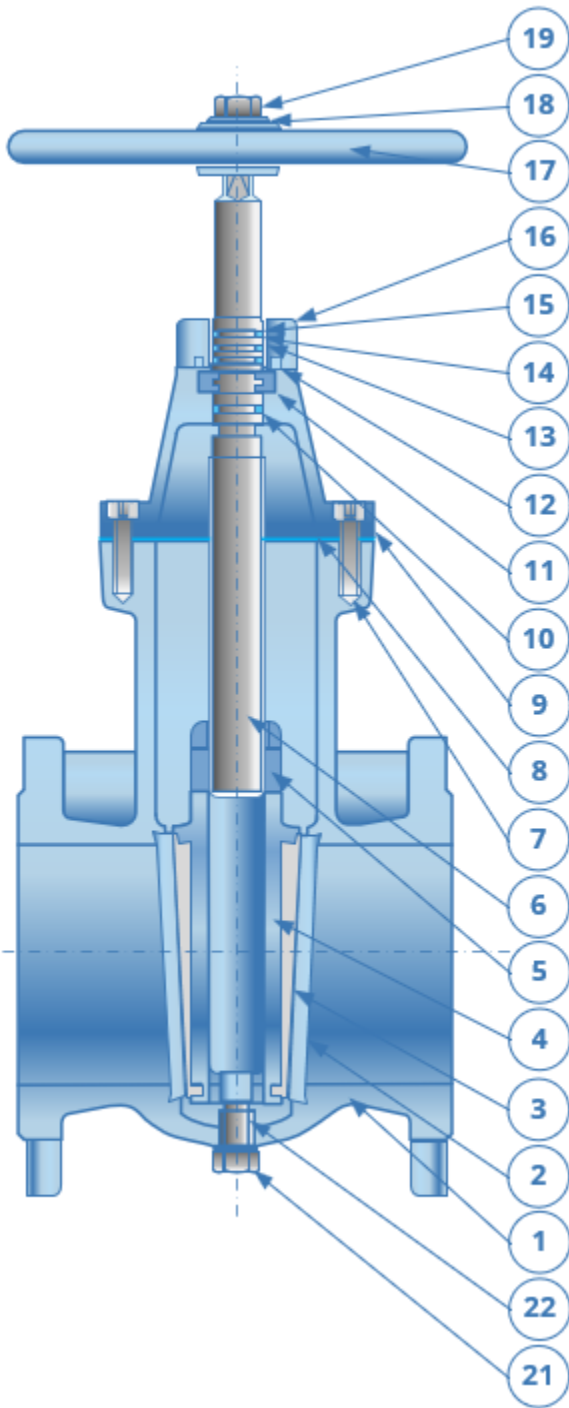


Flanged to BS4504, PN16. Cast Iron Body with Blue Epoxy Coating, Brass Trim. Handwheel Operated , Inside Screw, Non Rising Stem.

Dimensions							WRAS
Size	DN	A	B	C	E	kg	
2"	50	178	165	282	180	23	Y
2 1/2"	65	190	185	313	180	24	N
3"	80	203	200	398	205	26	Y
4"	100	229	220	424	205	31	Y
6"	150	267	285	525	280	58	Y
8"	200	292	340	638	320	87	N
10"	250	330	405	740	360	131	N
12"	300	356	460	840	450	186	N

All information is sourced from our manufacturer's data and is intended for guidance only - Valves Online can accept no liability for changes, omissions or errors.

# GV4210



## Material List

Item	Name	Material	Specification
1	Body	Ductile Iron	BS EN 1563 Gr 500/7
2	Body Seat Ring	Copper Alloy	BS EN 1982
3	Wedge Seat Ring	Copper Alloy	BS EN 1982
4	Wedge	Ductile Iron	BS EN 1563 Gr 500/7
5	Stem Nut	Copper Alloy	BS EN 1982
6	Stem	Stainless steel	BS EN 10088
7	Bolt	BZP Steel	BS 3692 Gr 8.8
8	Body Gasket	EPDM	WRAS Listed
9	Bonnet	Ductile Iron	BS EN 1563 Gr 500/7
10	O-Ring	EPDM	WRAS Listed
11	Thrust Collar	Copper Alloy	BS EN 1982
12	O-Ring	EPDM	WRAS Listed
13	O-Ring	EPDM	WRAS Listed
14	Dust Seal	EPDM	WRAS Listed
15	Bush	Copper Alloy	BS EN 1982
16	Seal Housing	Ductile Iron	BS EN 1563 Gr 500/7
17	Handwheel	Ductile Iron	BS EN 1563 Gr 500/7
18	Washer	Stainless steel	BS EN 10088
19	Bolt	Stainless steel	BS EN 10088
20	Sealing Housing Bolt	BZP Steel	BS 3692 Gr 8.8
21	Drain Plug	Stainless steel	BS EN 10088
22	Gasket	PTFE	WRAS Listed
23	Stem Cap	Ductile Iron	BS EN 1563 Gr 500/7

## Pressure Temperature Chart

Pressure	PN16 Rated
Temperature	-10°C to +70°C

All information is sourced from our manufacturer's data and is intended for guidance only - Valves Online can accept no liability for changes, omissions or errors.