



Electrically Actuated Stainless Steel PN16 Ball Valve

- Direct Mount
- Stainless Steel Body CF8M – Full Bore
- DN15-DN100 / 1/2" - 4"
- Powerful Electric Actuator
- Many Optional Extras Offered
- PTFE Seats



Description

A well proven 2 piece full bore flanged ball valve, that is fitted onto our reliable electric actuator. Sizes range from 1/2" - 4" DN15-DN100. PTFE seats are fitted as standard. Actuators and Valve have ISO/Namur mounting platforms that enable the units to be fitted without brackets. Supplied in various voltages this unit offers reliability and long life.



Beschreibung

Ein bewährtes 2-teiliges Vollflansch-Kugelventil, das auf unseren zuverlässigen elektrischen Stellantrieb montiert ist. Größen reichen von 1/2" - 4" DN15-DN100. PTFE-Sitze sind serienmäßig ausgestattet. Aktuatoren und Ventile verfügen über ISO / Namur Montageplattformen, mit denen die Einheiten ohne Konsolen montiert werden können. Dieses Gerät wird in verschiedenen Spannungen geliefert und bietet Zuverlässigkeit und lange Lebensdauer.



Descripción

Una válvula de bola con bridas de 2 piezas, bien probada, que se monta en nuestro actuador eléctrico confiable. Los tamaños van desde 1/2" - 4" DN15-DN100. Asientos de PTFE de serie. Los actuadores y válvulas tienen plataformas de montaje ISO / Namur que permiten montar las unidades sin soportes. Suministrado en varios voltajes esta unidad ofrece confiabilidad y larga vida útil.



Description

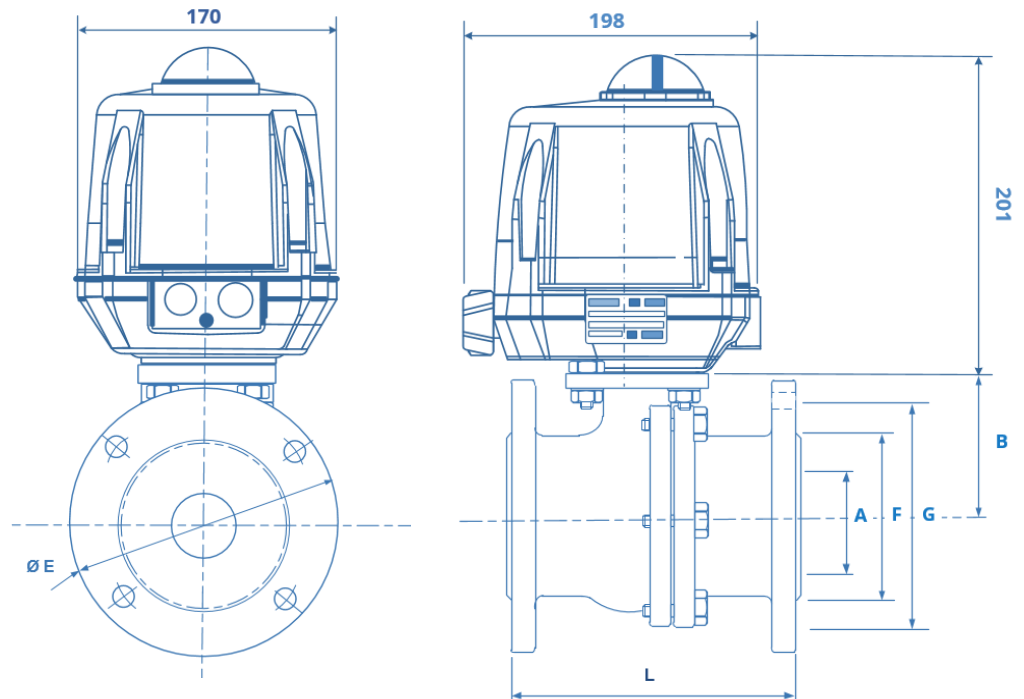
Un robinet à bille à brides à deux trous bien éprouvé, monté sur notre actionneur électrique fiable. Les tailles vont de 1/2" à 4" DN15-DN100. Les sièges en PTFE sont montés en standard. Les actionneurs et les vannes sont équipés de plates-formes de montage ISO / Namur qui permettent d'installer les unités sans équerres. Fourni dans différentes tensions cette unité offre la fiabilité et la longue vie.

Description

A well engineered combination of a powerful electric actuator that offers reliability and long life span. Supplied in a wide range of voltages and control options to suit your requirements. The actuator has additional fitted as standard such as optical position indicator, limit switches, condensation heaters and manual override. The actuator is fitted to our heavy duty high performance, flanged PN16 ball valve. The valve comprises of a split 2- piece body with PTFE seats. This unit gives you an exceptional combination, that's both dependable and trouble free . We offer the valve in Stainless Steel or Carbon Steel with various seat permutations and various accessories that can be fitted onto the actuator such as battery fail safe modulating positioner cards and ATEX alternatives.



3005 up to 75 N/M



PN16 Stainless Steel

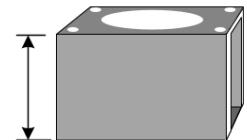
Technical data	
Torque 3005	25, 45, 75 Nm
Angle of rotation	90° (+/- 5°)
90° rotation time	7 sec - 25 Nm , 45 Nm 15 sec, 75 Nm 20 sec
Duty rating	At max. torque: 50% of the time Control actuator: 50% of max. torque
Power supply	15-30 V AC 50/60 Hz / 12-48 V DC 100-240 V AC 50/60 Hz / 100-350 V DC Tolerance +/- 10%
Power consumption	45 W
Motor protection	Torque limiter
Electrical connection	cable gland plug acc. EN 175301-803
Mounting	acc. ISO 5211 F05/F07, F07/F10
Drive Motor	25/45/75 Nm Female star 17 mm;
Limit Switches	4 adjustable (2 for motor and 2 for feedback) Max. 250V AC5A
Manual Override	Standard
Mechanical Limit Stops	Standard
Optical Position Indicator	Standard
Heating Resistor	Standard
Protection	IP65

Adaptor Kit

1/2" and 3/4" Valve / Actuator combination require a Mounting kit giving the total height an extra 50mm

Top works

FO4 9mm, FO5 11mm

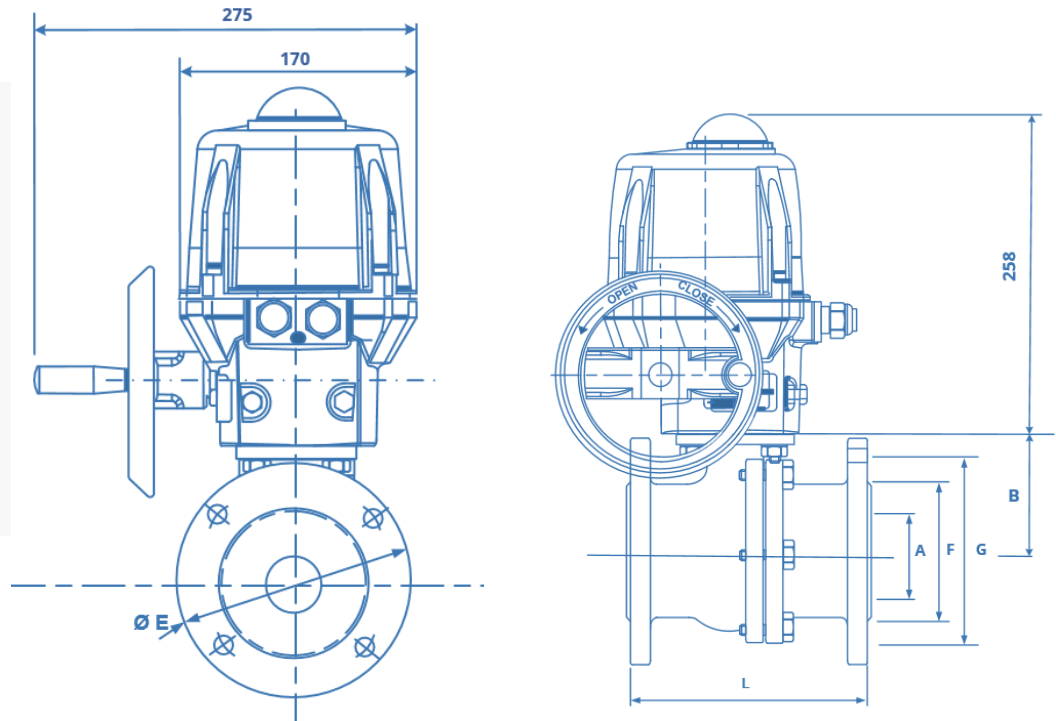


PN16 Dimensions in mm											Weight Kg
Size	3005	Kit Req	L	B	holes	Ø holes	E	A	F	G	
1/2"	25	50	115	48	4	14	95	15	45	65	3.26
3/4"	25	50	120	53	4	14	105	20	58	75	3.28
1"	25	x	125	59	4	14	115	25	68	85	3.56
1 1/4"	25	x	130	71	4	18	140	32	78	100	4.68
1 1/2"	45	x	140	76	4	18	150	40	88	110	5.3
2"	75	x	150	85	4	18	165	50	102	125	8.5
2 1/2"	100	x	170	93.5	4	18	185	65	122	145	18.3
3"	100	x	180	103	8	18	200	80	138	160	22.3
4"	300	x	190	132	8	18	220	100	158	180	35

Valve Specification

Orifice	1/2"-4" (DN15-DN100)
Valve Design	ASME B16.34, EN12516-1
Steel Casting	MSS SP-55, EN 12680-1/MSS SP-55
Face to Face	ASME B16.10, DIN 3202 F4
Flange Connection	ASME B16.50, DIN 2633
Pressure Test	598 (ISO 5208), EN12266-1 (ISO 5208)
Mounting	ISO 5211 Direct Mount
Valve Body	ASTM A351 CF8M / DIN 1.4408
Material	ASTM A216 WCB / DIN 1.0619
Seat Material	PTFE

3005 up to 300 N/M



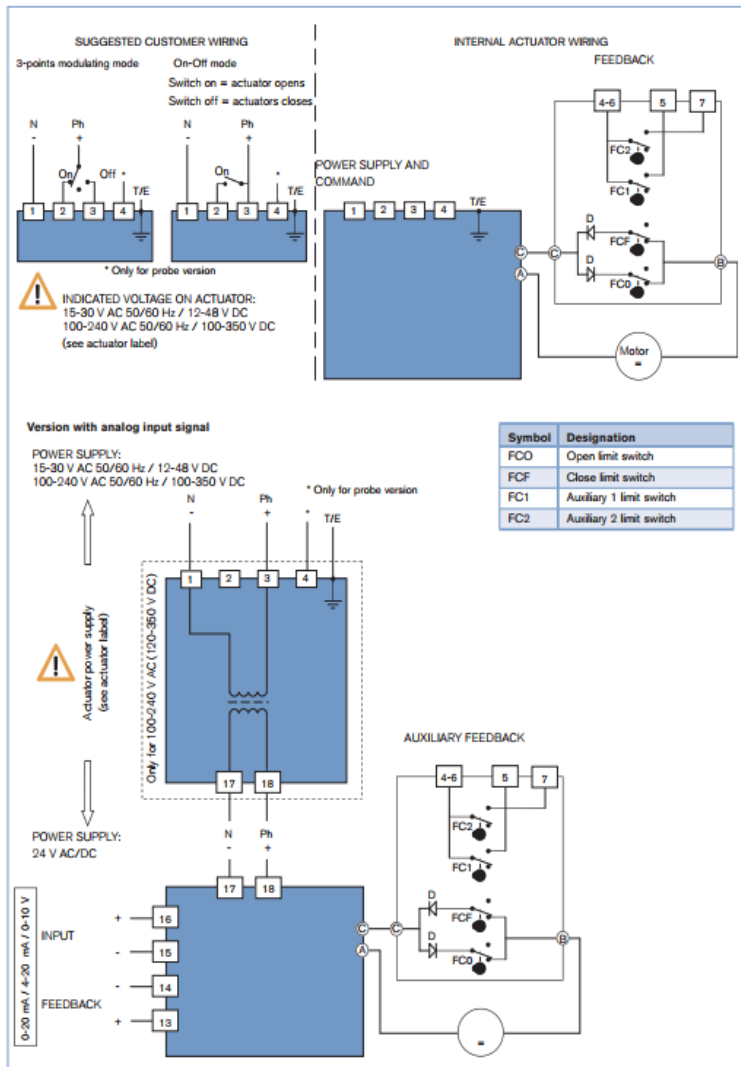
PN16 Stainless Steel

Technical data	
Torque 3005	100, 150, 300 Nm
Angle of rotation	90° (+/- 5°)
90° rotation time	15 sec - 100 Nm, 150 Nm 30 sec, 300 Nm 60 sec
Duty rating	At max. torque: 50% of the time Control actuator: 50% of max. torque
Power supply	15-30 V AC 50/60 Hz / 12-48 V DC 100-240 V AC 50/60 Hz / 100-350 V DC Tolerance +/- 10%
Power consumption	45 W
Motor protection	Torque limiter
Electrical connection	cable gland plug acc. EN 175301-803
Mounting	acc. ISO 5211 F05/F07, F07/F10
Drive Motor	25/45/75 Nm Female star 17 mm;
Limit Switches	4 adjustable (2 for motor and 2 for feedback) Max. 250V AC5A
Manual Override	Handwheel
Mechanical Limit Stops	Standard
Optical Position Indicator	Standard
Heating Resistor	Standard
Protection	IP65

PN16 Dimensions in mm										Weight Kg
Size	3005	L	B	holes	Ø holes	E	A	F	G	
1/2"	25	115	48	4	14	95	15	45	65	3.26
3/4"	25	120	53	4	14	105	20	58	75	3.28
1"	25	125	59	4	14	115	25	68	85	3.56
1 1/4"	25	130	71	4	18	140	32	78	100	4.68
1 1/2"	45	140	76	4	18	150	40	88	110	5.3
2"	75	150	85	4	18	165	50	102	125	8.5
2 1/2"	100	170	93.5	4	18	185	65	122	145	18.3
3"	100	180	103	8	18	200	80	138	160	22.3
4"	300	190	132	8	18	220	100	158	180	35

Valve Specification	
Orifice	1/2"-4" (DN15-DN100)
Valve Design	ASME B16.34, EN12516-1
Steel Casting	MSS SP-55, EN 12680-1/MSS SP-55
Face to Face	ASME B16.10, DIN 3202 F4
Flange Connection	ASME B16.50, DIN 2633
Pressure Test	598 (ISO 5208), EN12266-1 (ISO 5208)
Mounting	ISO 5211 Direct Mount
Valve Body	ASTM A351 CF8M / DIN 1.4408
Material	ASTM A216 WCB / DIN 1.0619
Seat Material	PTFE

BU3005 Electrical Information



Technical data

Torque	25 and 300 Nm (see ordering chart) (600 and 1000 Nm on request)
Angle of rotation	90° (+/- 5°)
90° rotation time	7 up to 60 s (see ordering chart)
Duty rating	At max. torque: 50% of the time Control actuator: 50% of max. torque
Power supply	Tolerance 15-30 V AC 50/60 Hz / 12-48 V DC 100-240 V AC 50/60 Hz / 100-350 V DC +/- 10%
Power consumption	45 W
Motor protection	Electronic torque limitation
Electrical connection	2 cable glands ISO 20 (Cable plug acc. EN 175301-803 on request)
Mounting	acc. ISO 5211 F05/F07 , F07/F10
Drive Motor	25 Nm Female star 17 mm; conversion sleeve star 17/11 mm enclosed Motor 45, 75 Nm Female star 17 mm; conversion sleeve star 17/14 mm enclosed Motor 100, 150, 300 Nm Female star 22 mm; conversion sleeve star 22/17 mm enclosed
Limit Switches	4adjustable (2 for motor and 2 for feedback) Max. 250V AC5A
Manual Override	Handwheel
Mechanical Limit Stops	Standard
Optical Position Indicator	Standard
Heating Resistor	10 w
Protection	IP68

BU3005
25 Nm
45 Nm
75 Nm

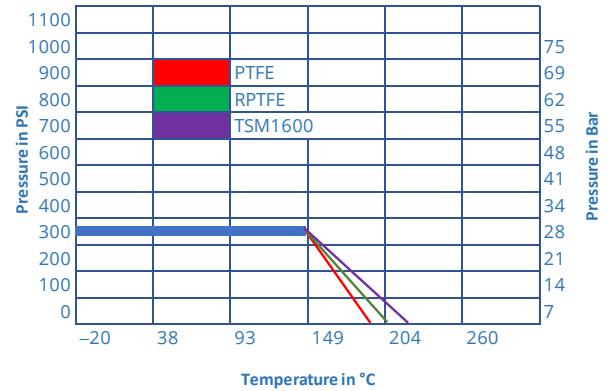


BU3005
100 Nm
150 Nm
300 Nm

Valve Specification

Orifice	1/2"-4" (DN15-DN100)
Valve Design	ASME B16.34, EN12516-1
Steel Casting	MSS SP-55, EN 12680-1/MSS SP-55
Face to Face	ASME B16.10, DIN 3202 F4
Flange Connection	ASME B16.50, DIN 2633
Pressure Test	598 (ISO 5208), EN12266-1 (ISO 5208)
Mounting	ISO 5211 Direct Mount
Valve Body	ASTM A351 CF8M / DIN 1.4408
Material	ASTM A216 WCB / DIN 1.0619
Seat Material	PTFE

Pressure/Temperature Chart



Valve Materials

No	Part Name	Material
1	Body	CF8M / WCB
2	Stem	SUS304
3	Thrust washer	RPTFE
4	O-Ring	PTFE
5	Stem Packing	PTFE
6	Gland	SS 304
7	Disc Washer	SS 301
8	Stem Nut	SS304
9	Nut Stop	SS304
10	Washer	SS304
11	Flanged end	CF8M / WCB
12	Bolt	SS304
13	Gasket	PTFE
14	Ball	SS316
15	Ball Seat	PTFE
16	Stopper Plate	SUS304
17	Handle Nut	SS304
18	Handle	SS304
19	Sleeve	Plastic
20	Stop Pin	SUS304
21	Ste Bolt	SUS304
22	Lever Head	CF8M / WCB
23	Pipe Handle	Steel Pipe

