



ABS Electric Actuated Butterfly Valve.

- Isolating and Regulating Flow
- ABS Disc, Body Glass reinforced Polypropylene
- Liner Material Options, EPDM and FKM.
- 10 Bar Rated on Water at 20°C
- Sizes from 1½" - 8"
- Suitable for Temperatures up to 60°C
- Powerful J4C Electric Actuator

> Description

A combination of Durapipe Type FK Butterfly Valve ABS Disc and J&J Electric Actuator.

The EA5601 butterfly valve offers high performance and excellent flow characteristics, with minimal pressure drop over a wide range of fluid applications. The body is manufactured from Glass Reinforced Polypropylene and the disc in ABS and offered in sizes from 1½" to 8" DN50-DN200. Options for either EPDM or FKM liners.

The oval holes in the valve body (DN50 to DN200) allow connection to the following flange drilling standards:

BS-EN 1092 PN10 (Formally BS4504 PN10)

ASA B16.5 class 150

BS10, Table D/E

The actuator is a J+J 4C which is a powerful yet lightweight unit that is ideal for use with this valve on open/closed isolation duty. The actuator has options for various voltages, in addition it is supplied with anti condensation heaters, limit and feedback switches, manual override and position indication all fitted as standard and housed in a IP67 weatherproof enclosure.

> On request

Proportional / Modulating versions available.
Battery Back-up option.



Description

A combination of a ABS butterfly valve, supplied by Aliaxis (Durapipe), fitted to a J&J 4C electric actuator. Body Glass reinforced Polypropylene and PVC disc with options for both EPDM or FKM liners. Actuator supplied with various options of voltage.



Beschreibung

Eine Kombination aus einer ABS-Absperrklappe, geliefert von Aliaxis (Durapipe), montiert an einem J&J 4C-Elektroantrieb. Gehäuse aus glasfaserverstärktem Polypropylen und PVC-Scheibe mit Optionen für EPDM- oder FKM-Auskleidungen. Aktuator wird mit verschiedenen Spannungsoptionen geliefert.



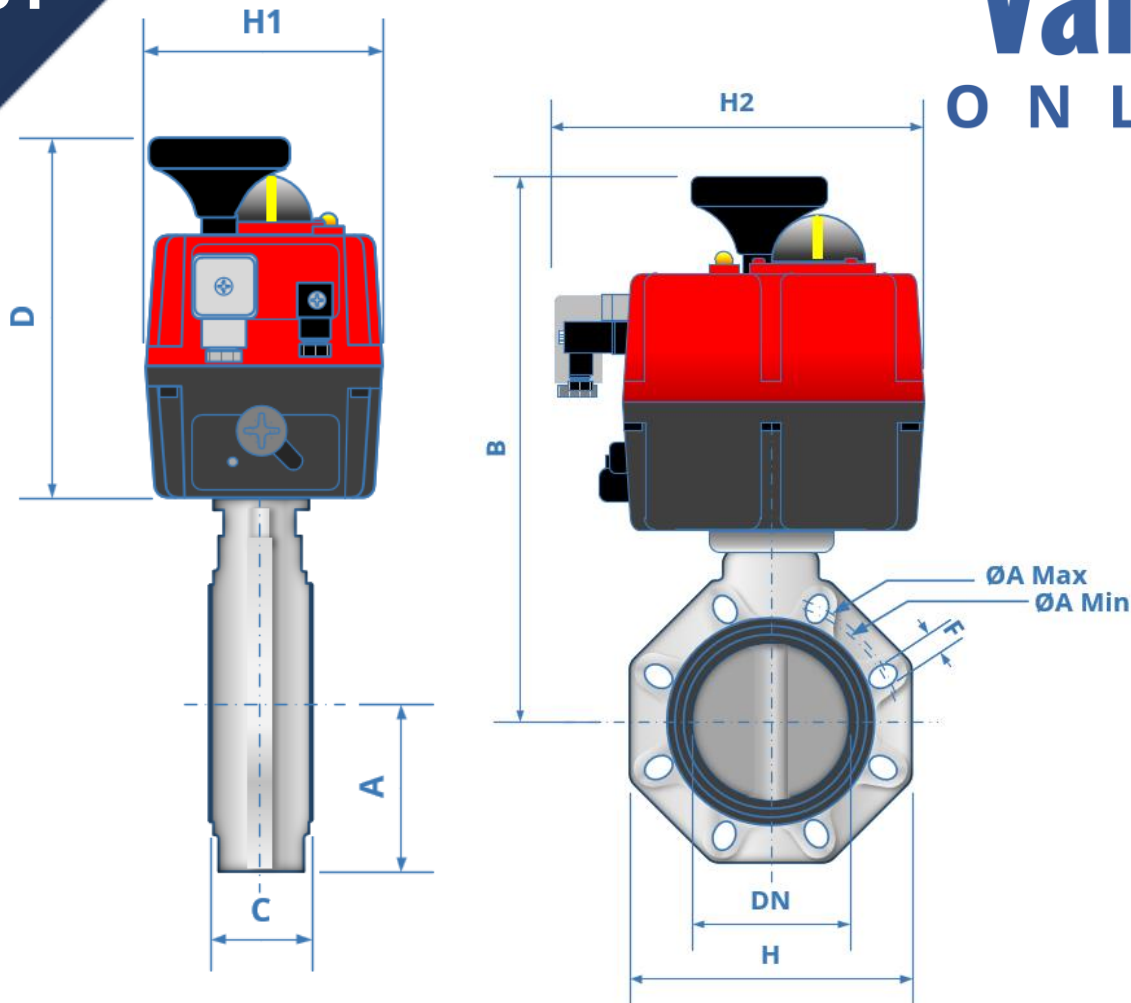
Descripción

Una combinación de una válvula de mariposa ABS, suministrada por Aliaxis (Durapipe), instalada en un actuador eléctrico J&J 4C. Cuerpo Disco de PVC y polipropileno reforzado con fibra de vidrio con opciones para revestimientos de EPDM o FKM. Actuador suministrado con varias opciones de tensión.



Description

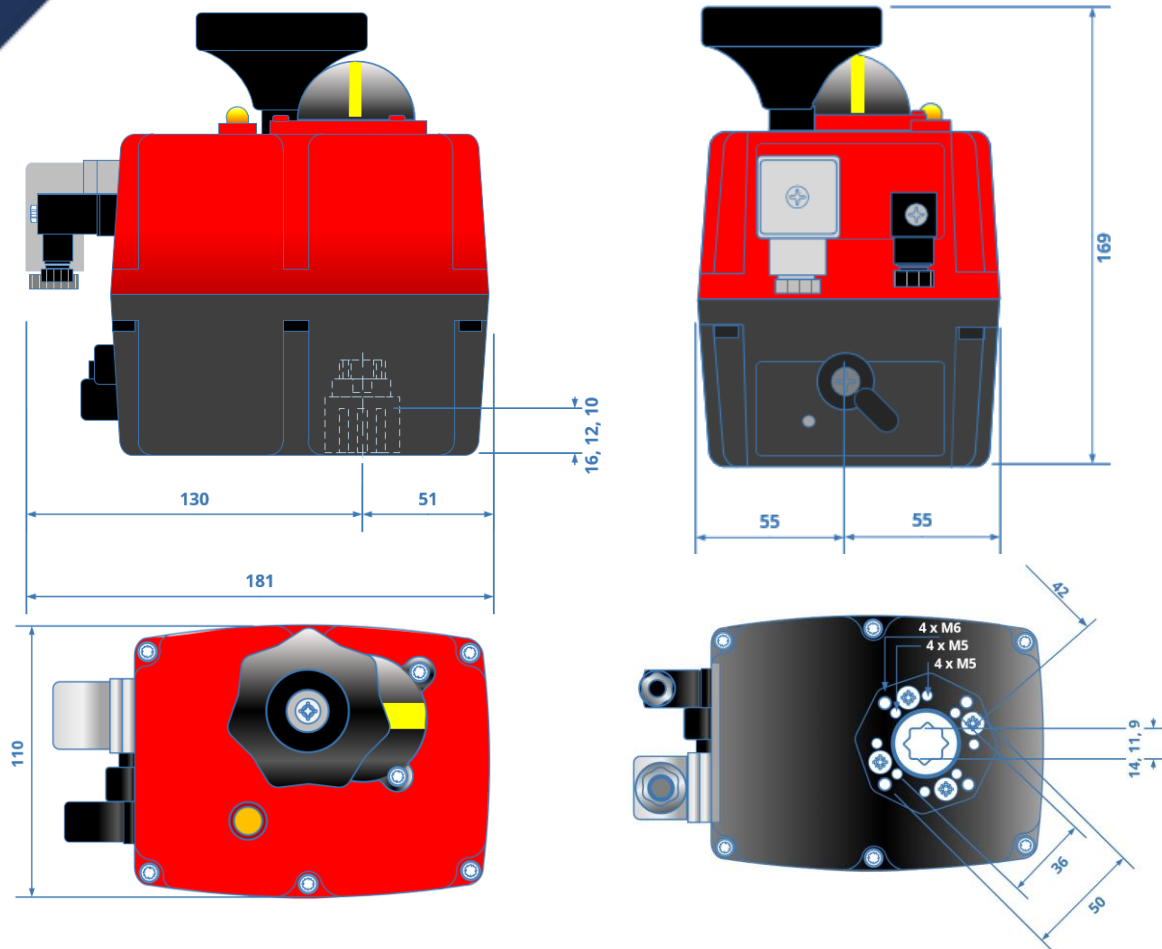
Une combinaison d'une vanne papillon ABS, fournie par Aliaxis (Durapipe), montée sur un actionneur électrique J&J 4C. Corps Disco en polypropylène et PVC renforcé de fibre de verre avec des options pour les revêtements EPDM ou FKM. Actionneur fourni avec différentes options de tension.



Dimensions

d	DN	PN	ACT	A	B	C	D	H	H1	H2	A Min	A Max	F	U
1 1/2" - 50mm	40	16	J4C/20	60	333	33	196	132	110	181	99	109	19	4
2" - 63mm	50	16	J4C/20	70	343	43	196	147	110	181	115	126	19	4
2 1/2" - 75mm	65	10	J4C/20	80	353	46	196	165	110	181	128	144	19	8
3" - 90mm	80	10	J4C/35	93	374	49	196	185	110	181	145	160	19	8
4" - 110mm	100	10	J4C/55	107	388	56	196	211	110	181	165	190	19	8
5" - 140mm	125	10	J4C/85	120	408	64	196	240	110	181	204	215	23	8
6" - 150mm	150	10	J4C/140	124	479	70	254	268	214	235	230	242	23	8
8" - 225mm	200	10	J4C/300	161	526	114	254	323	214	235	280	298	23	8

➤ **ABS Disc with choice of EPDM or FPM Liners.**
Various Options on Supply Voltage.
Modulating and Battery Back-up versions available.



J4C 20

Model	S20	B20
Voltage VDC/VAC 50/60Hz -0/+5%	24-240 (Patent Pending)	12V Only
Operation Time Unload	9 Sec/90°	9 Sec/90°
Maximum Torque Break	25 Nm / 221 lb/in	25 Nm / 221 lb/in
Maximum Operational Torque	20 Nm / 177 lb/in	20 Nm / 177 lb/in
Duty Rating	75%	0.75%
Max. Working Angle	0° - 270°	0° - 270°
Limit Switch	4 x SPST NO micro (2 motor stop & 2 confirmation)	4 x SPST NO micro (2 motor stop & 2 confirmation)
Automatic Heater	3.5W	3.5W
Large Plug	EN175301-803 Form A	EN175301-803 Form A
Small Plug	DIN43650/C	DIN43650/C
Protection IEC Rating 60529	IP67	IP67
Temperature	- 20°C to + 70°C	- 20°C to + 70°C
Weight	1.8 Kg	1.8 Kg

GENERAL CHARACTERISTICS

Housing: Anticorrosive polyamide (lid & body)

Main external shaft: stainless steel.

External screws: stainless steel

Gears: Steel and polyamide

Visual position indicator: Polyamide

Dome: Polycarbonate.

Adjustable internal cams: Polyamide

Electric motor: 24VDC Brushless motor

Insulation: Class B (IEC 60034) Service: S4

VALVE CONNECTION

ISO 5211 Plate : F03/F04/F05

DIN 3337 Female output drive : *14 mm

Options: DIN 3337 Female output drive: *9 or *11 mm

F05 to F07 Conversion Kit with *17mm output

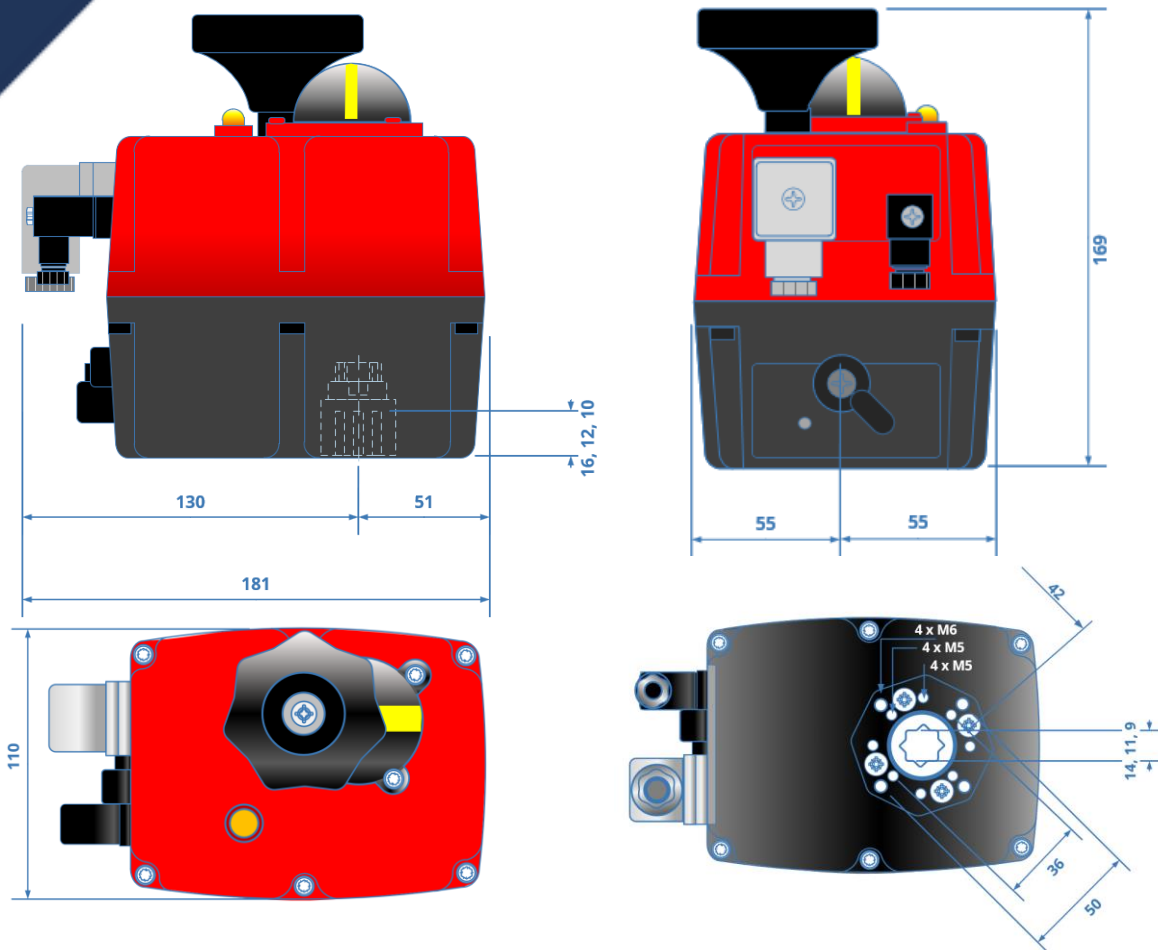
OPTIONS

-J4C 20/85 DPS digital positioner: 4-20mA, 0-20mA, 0-10V or 1-10V. -

J4C 20/85 BSR emergency fail safe kit system by battery

All information is sourced from our manufacturer's data and is intended for guidance only - Valves Online can accept no liability for changes, omissions or errors.

J4C 35



Model	S35	B35
Voltage VDC/VAC 50/60Hz -0/+5%	24-240 (Patent Pending)	12V Only
Operation Time Unload	9 Sec/90°	9 Sec/90°
Maximum Torque Break	38 Nm / 359.3 lb/in	38 Nm / 359.3 lb/in
Maximum Operational Torque	35 Nm / 309 lb/in	35 Nm / 309 lb/in
Duty Rating	75%	0.75%
Max. Working Angle	0° - 270°	0° - 270°
Limit Switch	4 x SPST NO micro (2 motor stop & 2 confirmation)	4 x SPST NO micro (2 motor stop & 2 confirmation)
Automatic Heater	3.5W	3.5W
Large Plug	EN175301-803 Form A	EN175301-803 Form A
Small Plug	DIN43650/C	DIN43650/C
Protection IEC Rating 60529	IP67	IP67
Temperature	- 20°C to + 70°C	- 20°C to + 70°C
Weight	1.9 Kg	1.9 Kg

GENERAL CHARACTERISTICS

Housing: Anticorrosive polyamide (lid & body)

Main external shaft: stainless steel.

External screws: stainless steel

Gears: Steel and polyamide

Visual position indicator: Polyamide

Dome: Polycarbonate.

Adjustable internal cams: Polyamide

Electric motor: 24VDC Brushless motor

Insulation: Class B (IEC 60034) Service: S4

VALVE CONNECTION

ISO 5211 Plate : F03/F04/F05

DIN 3337 Female output drive : *14 mm

Options: DIN 3337 Female output drive: *9 or *11 mm

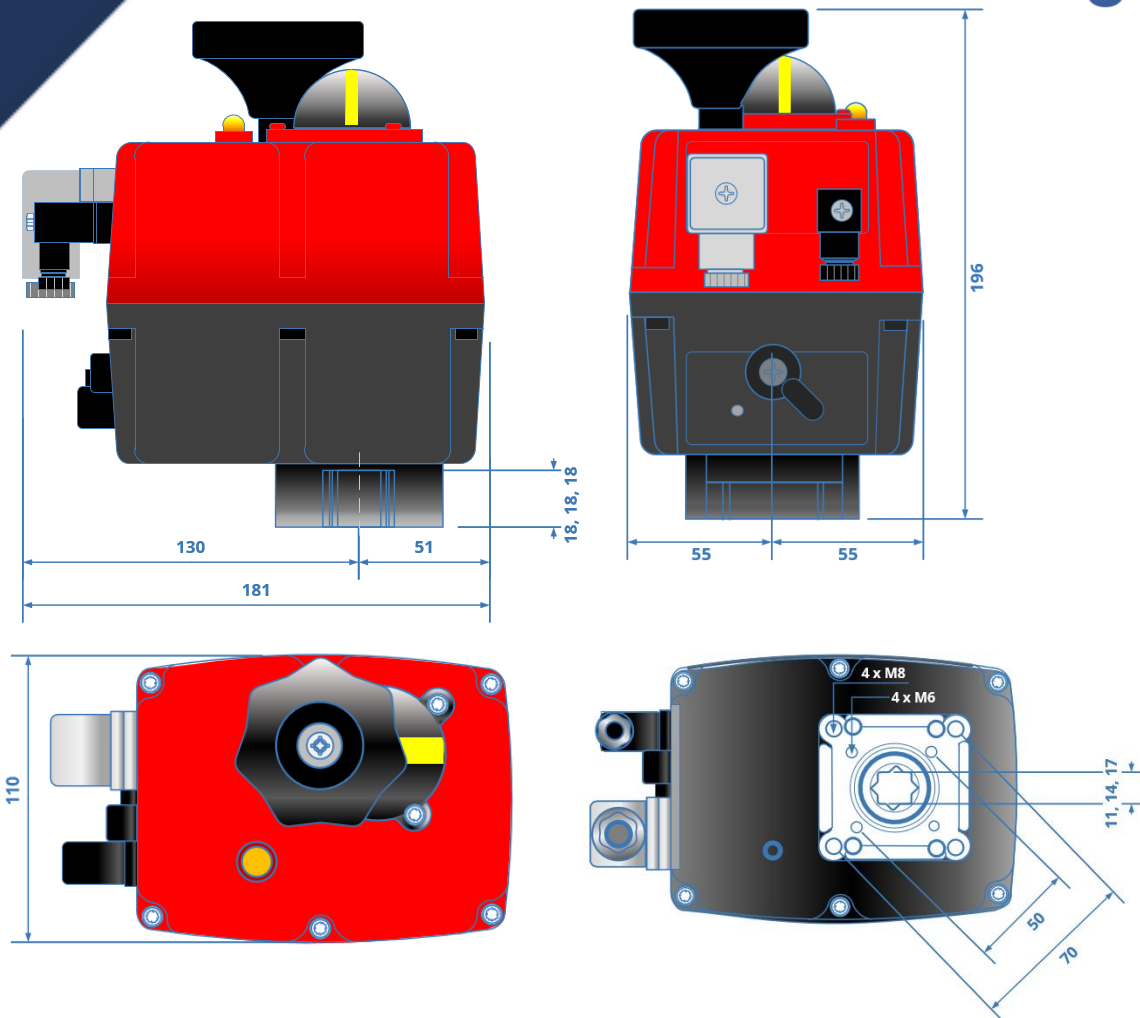
F05 to F07 Conversion Kit with *17mm output

OPTIONS

-J4C 20/85 DPS digital positioner: 4-20mA, 0-20mA, 0-10V or 1-10V. -

J4C 20/85 BSR emergency fail safe kit system by battery

All information is sourced from our manufacturer's data and is intended for guidance only - Valves Online can accept no liability for changes, omissions or errors.



J4C 55

Model	S55	B55
Voltage VDC/VAC 50/60Hz -0/+5%	24-240 (Patent Pending)	12V Only
Operation Time Unload	13 Sec/90°	13 Sec/90°
Maximum Torque Break	60 Nm / 530 lb/in	60 Nm / 530 lb/in
Maximum Operational Torque	55 Nm / 486 lb/in	55 Nm / 486 lb/in
Duty Rating	75%	0.75%
Max. Working Angle	0° - 270°	0° - 270°
Limit Switch	4 x SPST NO micro (2 motor stop & 2 confirmation)	4 x SPST NO micro (2 motor stop & 2 confirmation)
Automatic Heater	3.5W	3.5W
Large Plug	EN175301-803 Form A	EN175301-803 Form A
Small Plug	DIN43650/C	DIN43650/C
Protection IEC Rating 60529	IP67	IP67
Temperature	- 20°C to + 70°C	- 20°C to + 70°C
Weight	2.4 Kg	2.4 Kg

GENERAL CHARACTERISTICS

Housing: Anticorrosive polyamide (lid & body)

Main external shaft: stainless steel.

External screws: stainless steel

Gears: Steel and polyamide

Visual position indicator: Polyamide

Dome: Polycarbonate.

Adjustable internal cams: Polyamide

Electric motor: 24VDC Brushless motor

Insulation: Class B (IEC 60034) Service: S4

VALVE CONNECTION

ISO 5211 Plate : F05/F07

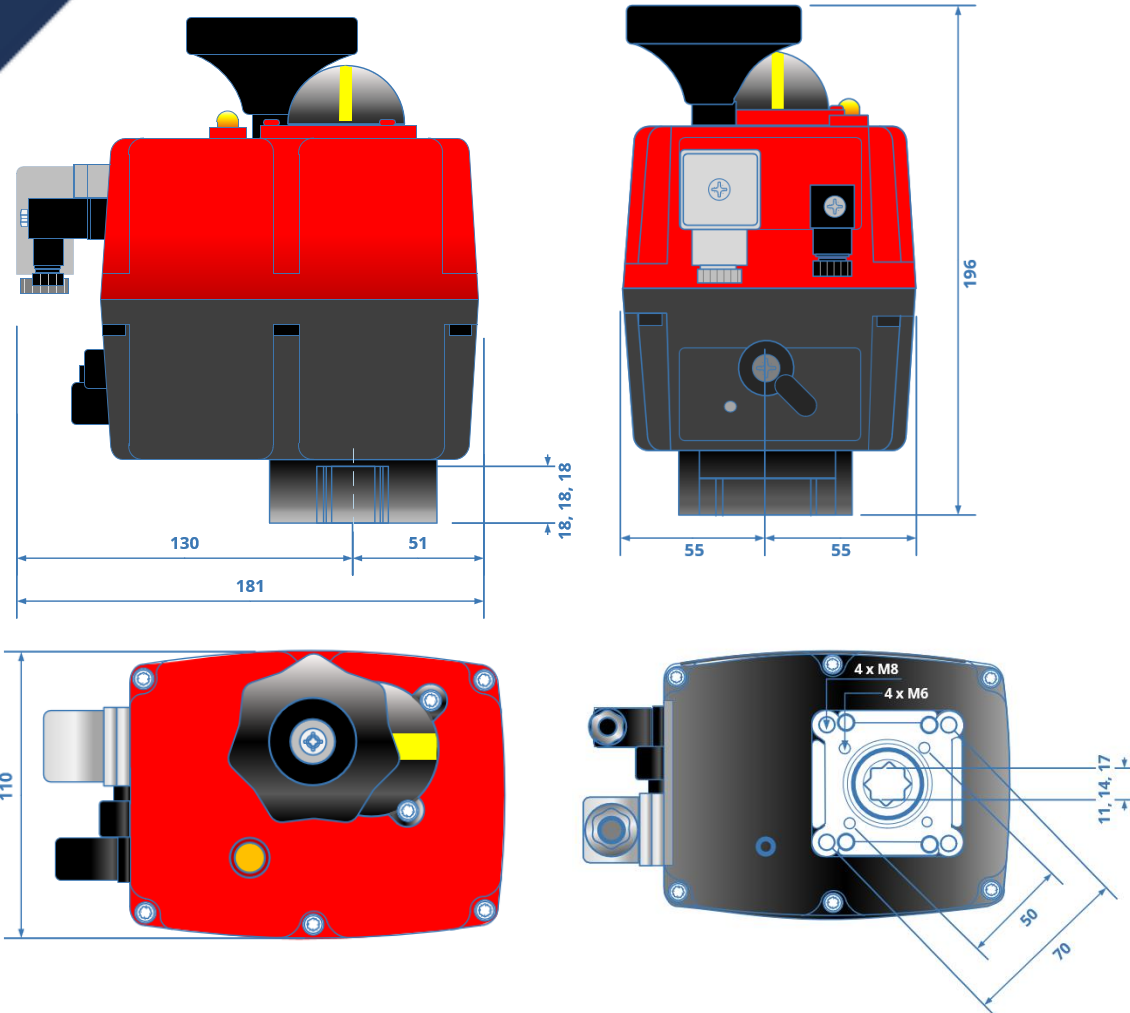
DIN 3337 Female output drive : *17 mm

Option: DIN 3337 Female output drive: *11 or *14 mm

OPTIONS

-J4C 20/85 DPS digital positioner: 4-20mA, 0-20mA, 0-10V or 1-10V. - J4C 20/85 BSR emergency fail safe kit system by battery -Digital potentiometer: 1K, 5K or 10K. -3 position actuator: 0°-45°-90° or 0°-90°-180°

All information is sourced from our manufacturer's data and is intended for guidance only - Valves Online can accept no liability for changes, omissions or errors.



J4C 85

Model	S85	B85
Voltage VDC/VAC 50/60Hz -0/+5%	24-240 (Patent Pending)	12V Only
Operation Time Unload	29 Sec/90°	29 Sec/90°
Maximum Torque Break	90 Nm / 796.3 lb/in	90 Nm / 796.3 lb/in
Maximum Operational Torque	85 Nm / 752 lb/in	85 Nm / 752 lb/in
Duty Rating	75%	0.75%
Max. Working Angle	0° - 270°	0° - 270°
Limit Switch	4 x SPST NO micro (2 motor stop & 2 confirmation)	4 x SPST NO micro (2 motor stop & 2 confirmation)
Automatic Heater	3.5W	3.5W
Large Plug	EN175301-803 Form A	EN175301-803 Form A
Small Plug	DIN43650/C	DIN43650/C
Protection IEC Rating 60529	IP67	IP67
Temperature	- 20°C to + 70°C	- 20°C to + 70°C
Weight	3 Kg	3 Kg

GENERAL CHARACTERISTICS

Housing: Anticorrosive polyamide (lid & body)

Main external shaft: stainless steel.

External screws: stainless steel

Gears: Steel and polyamide

Visual position indicator: Polyamide

Dome: Polycarbonate.

Adjustable internal cams: Polyamide

Electric motor: 24VDC Brushless motor

Insulation: Class B (IEC 60034) Service: S4

All information is sourced from our manufacturer's data and is intended for guidance only - Valves Online can accept no liability for changes, omissions or errors.

VALVE CONNECTION

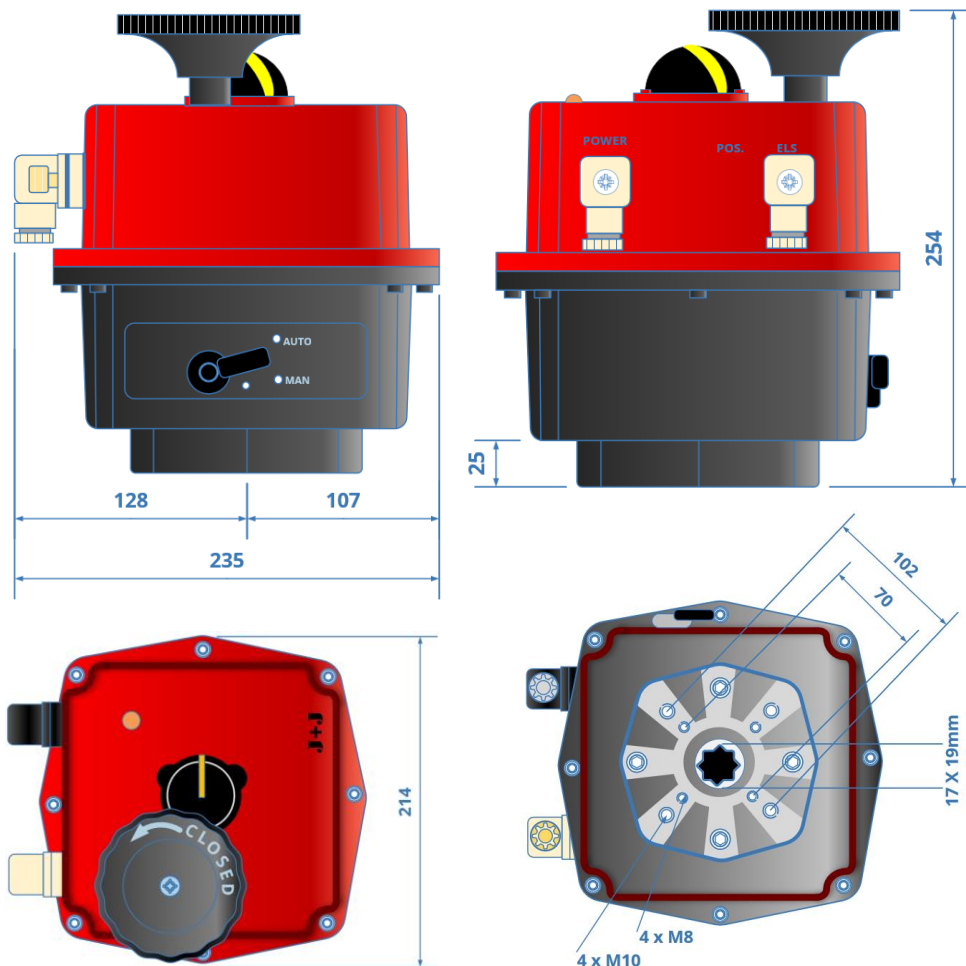
ISO 5211 Plate : F05/F07

DIN 3337 Female output drive : *17 mm

Option: DIN 3337 Female output drive: *11 or *14 mm

OPTIONS

J4C 20/85 DPS digital positioner: 4-20mA, 0-20mA, 0-10V or 1-10V. -
J4C 20/85 BSR emergency fail safe kit system by battery -Digital
potentiometer: 1K, 5K or 10K. -3 position actuator: 0°-45°-90° or
0°-90°-180°



J4C 140

Model	S140	B140
Voltage VDC/VAC 50/60Hz -0/+5%	24-240 (Patent Pending)	12V Only
Operation Time Unload	34 Sec/90°	9 Sec/90°
Maximum Torque Break	170 Nm / 1504.5 lb/in	170 Nm / 1504.5 lb/in
Maximum Operational Torque	140 Nm / 1239 lb/in	140 Nm / 1239 lb/in
Duty Rating	75%	0.75%
Max. Working Angle	0° - 270°	0° - 270°
Limit Switch	4 x SPST NO micro (2 motor stop & 2 confirmation)	4 x SPST NO micro (2 motor stop & 2 confirmation)
Automatic Heater	3.5W	3.5W
Large Plug	EN175301-803 Form A	EN175301-803 Form A
Small Plug	DIN43650/C	DIN43650/C
Protection IEC Rating 60529	IP67	IP67
Temperature	- 20°C to + 70°C	- 20°C to + 70°C
Weight	5.2 Kg	5.2 Kg

GENERAL CHARACTERISTICS

Housing: Anticorrosive polyamide (lid & body)

Main external shaft: stainless steel.

External screws: stainless steel

Gears: Steel and polyamide

Visual position indicator: Polyamide

Dome: Polycarbonate.

Adjustable internal cams: Polyamide

Electric motor: 24VDC Brushless motor

Insulation: Class B (IEC 60034) Service: S4

VALVE CONNECTION

ISO 5211 Plate : F07/F10 DIN 3337 Female output drive : *22 mm

Option: ISO 5211 Plate : F12 DIN 3337 Female output drive: *17 mm

OPTIONS

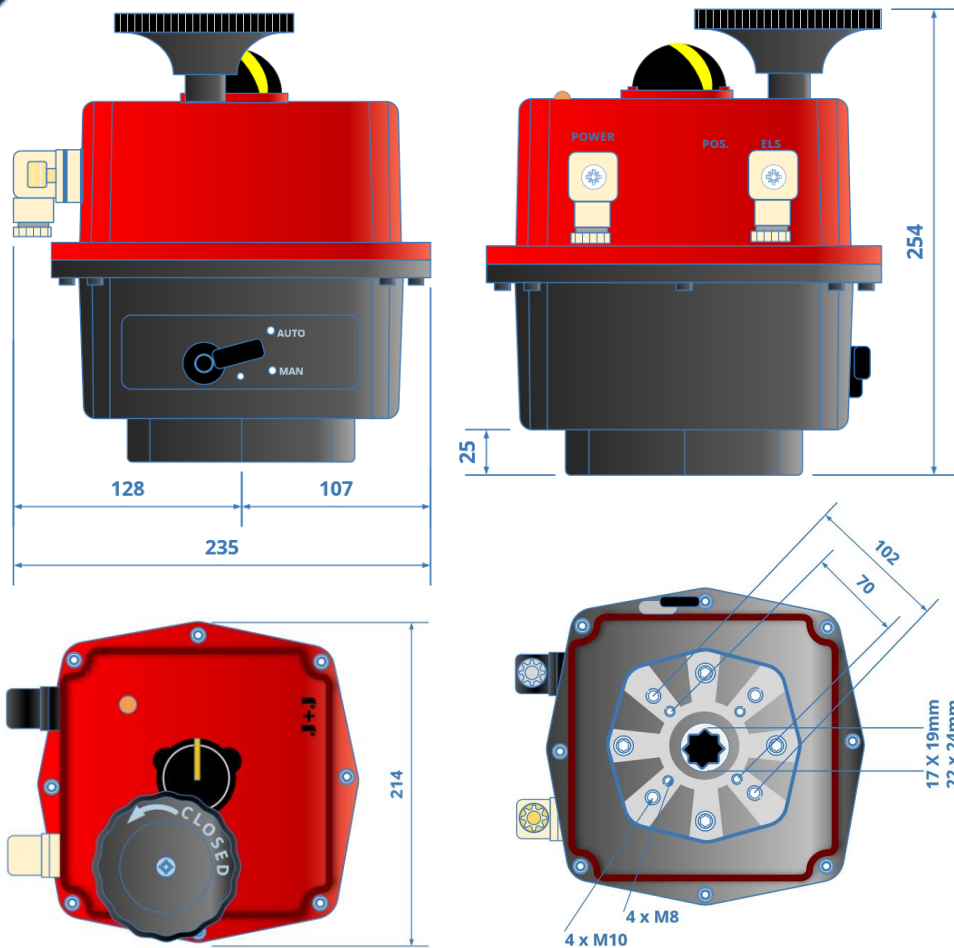
-J4C 140/300 DPS digital positioner: 4-20mA, 0-20mA, 0-10V or 1-

10V. -J4C 140/300 BSR emergency fail safe kit system by battery -

Digital potentiometer: 1K, 5K or 10K. -3 position actuator: 0°-45°-90° or 0°-90°-180°

All information is sourced from our manufacturer's data and is intended for guidance only - Valves Online can accept no liability for changes, omissions or errors.

J4C 300



Model	S300	B300
Voltage VDC/VAC 50/60Hz -0/+5%	24-240 (Patent Pending)	12V Only
Operation Time Unload	58 Sec/90°	58 Sec/90°
Maximum Torque Break	350 Nm / 3097.5 lb/in	350 Nm / 3097.5 lb/in
Maximum Operational Torque	300 Nm / 2655 lb/in	300 Nm / 2655 lb/in
Duty Rating	75%	0.75%
Max. Working Angle	0° - 270°	0° - 270°
Limit Switch	4 x SPST NO micro (2 motor stop & 2 confirmation)	4 x SPST NO micro (2 motor stop & 2 confirmation)
Automatic Heater	3.5W	3.5W
Large Plug	EN175301-803 Form A	EN175301-803 Form A
Small Plug	DIN43650/C	DIN43650/C
Protection IEC Rating 60529	IP67	IP67
Temperature	- 20°C to + 70°C	- 20°C to + 70°C
Weight	5.2 Kg	5.2 Kg

GENERAL CHARACTERISTICS

Housing: Anticorrosive polyamide (lid & body)

Main external shaft: stainless steel.

External screws: stainless steel

Gears: Steel and polyamide

Visual position indicator: Polyamide

Dome: Polycarbonate.

Adjustable internal cams: Polyamide

Electric motor: 24VDC Brushless motor

Insulation: Class B (IEC 60034) Service: S4

VALVE CONNECTION

ISO 5211 Plate : F07/F10 DIN 3337 Female output drive : *22 mm

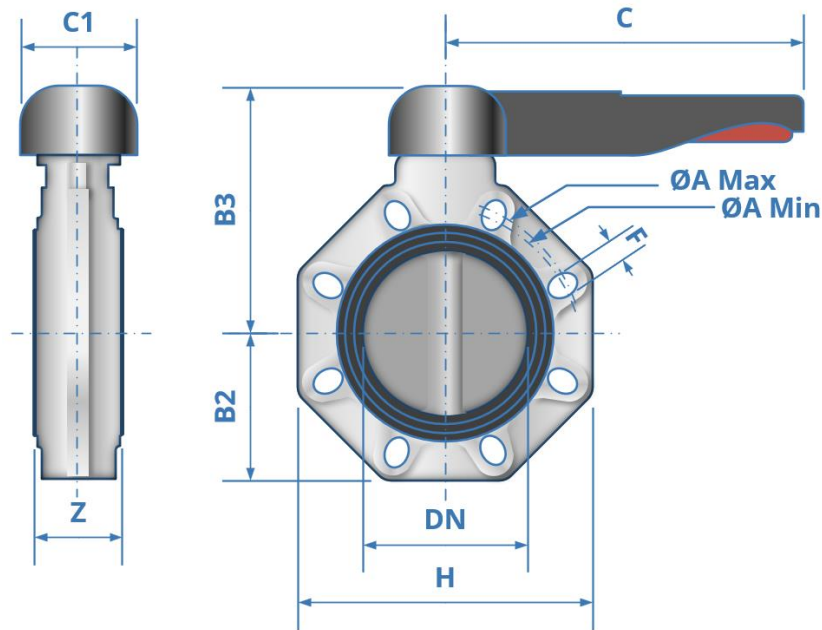
Option: ISO 5211 Plate : F12 DIN 3337 Female output drive: *17 mm

OPTIONS

-J4C 140/300 DPS digital positioner: 4-20mA, 0-20mA, 0-10V or 1-

10V. -J4C 140/300 BSR emergency fail safe kit system by battery -

Digital potentiometer: 1K, 5K or 10K. -3 position actuator: 0°-45°-90° or 0°-90°-180°

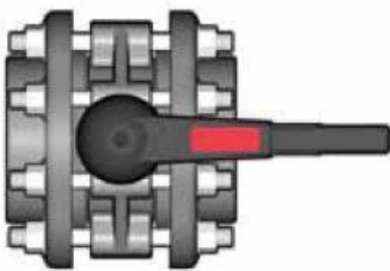


Dimensions

d	DN	PN	B2	B3	H	Z	A min	A max	F	U	C	C1
1 1/2" - 50	40	16	60	137	132	33	99	109	19	4	175	100
2" - 63	50	16	70	143	174	43	115	126	19	4	175	100
2 1/2" - 75	65	10	80	164	165	46	128	144	19	8	175	110
3" - 90	80	10	93	178	185	49	145	160	19	8	272	110
4" - 110	100	10	107	192	211	56	165	190	19	8	272	110
5" - 140	125	10	120	212	240	64	204	215	23	8	330	110
6" - 160	150	10	124	225	268	70	230	242	23	8	330	110
8" - 225	200	10	161	272	323	114	280	298	23	8	420	122

> **ABS Disc with choice of EPDM or FPM Liners.**

Flange Bolting

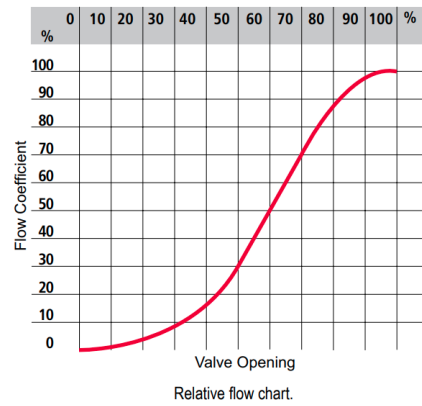
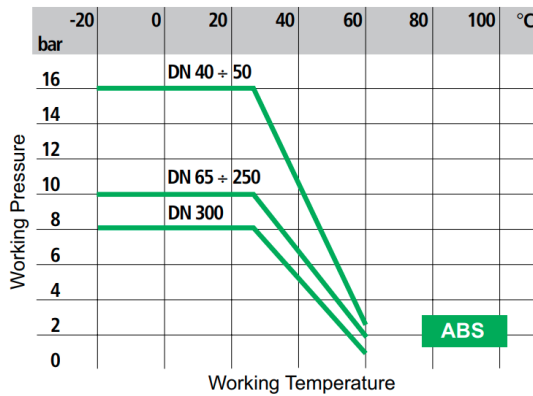


d	DN	J	*Nm
1 1/2" - 50	40	M16	9
2" - 63	50	M16	12
2 1/2" - 75	65	M16	15
3" - 90	80	M16	18
4" - 110	100	M16	20
5" - 140	125	M16	35
6" - 160	150	M20	40
8" - 225	200	M20	55
10" -	250	M24	70
12" -	300	M24	70

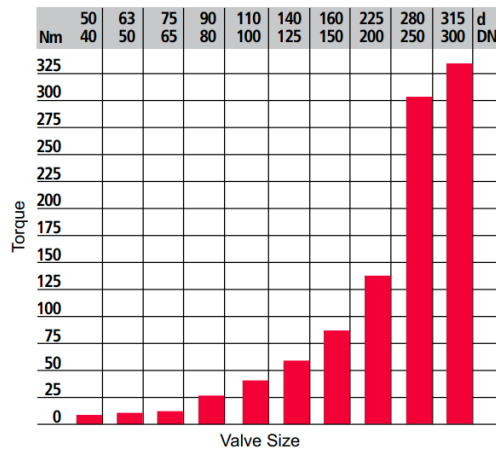
*Nominal torque required for the tightening of bolts for the flanged joints.
Torque required for watertight joints (1.5xPN at 20°C)

The overall dimensions of the FK Butterfly valve comply with the following standards:
 ISO5752 (DN40 to DN200) Medium 25 series
 ISO5752 (DN250 to DN300) Long 16 series
 DIN 3202 (DN65 to DN 200) K2
 DIN 3202 (DN250 to DN3000) K3

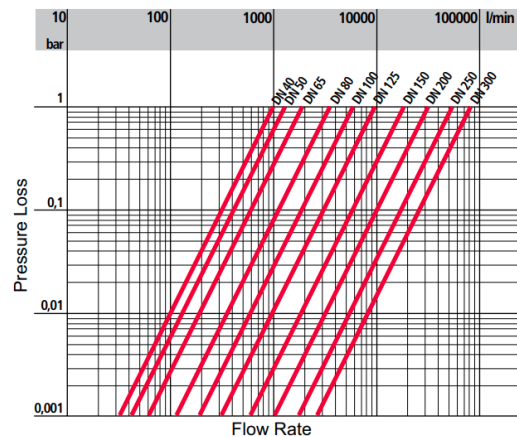
The oval holes in the valve body (DN50 to DN200) allow connection to the following flange drilling standards:
 BS-EN 1092 PN10 (Formally BS4504 PN10)
 ASA B16.5 class 150
 BS10, Table D/E



Technical Data



Maximum torque at maximum working pressure.



Pressure loss chart.

DN	40	50	65	80	100	125	150	200	250	300
bar	1000	1285	1700	3350	5900	9850	18700	30500	53200	81600

Flow coefficient k_{v100}

k_{v100} is the number of litres per minute of water at a temperature of 20°C that will flow through a valve with a one bar pressure differential at a specified rate. The k_{v100} values shown in the table are calculated with the valve fully open.

All information is sourced from our manufacturer's data and is intended for guidance only - Valves Online can accept no liability for changes, omissions or errors.

