

EA5572

Valves
ONLINE



J & J Electric Actuated Wafer Pattern Butterfly Valve

- Size Range 2" - 6"
- Larger Sizes on Request
- Wafer pattern fits between flanges
- EPDM Seats/Liner WRAS Approved
- Stainless Steel Disc
- Powerful J 4C Electric Actuator
- Various Voltage Options Offered

Description

A resilient seated, wafer pattern butterfly valve, fitted onto the J+J J4C powerful electric actuator. The valve is WRAS Approved and has an EPDM liner that is suitable for use with drinking/potable water. It has a stainless steel disc and shaft and carries WRAS Approval. The design of the valve is wafer pattern and fits between various flanges. In addition the butterfly valve is equipped with an ISO Mounting pad that allows direct mounting of actuators eliminating the use of costly brackets. The actuator is a J+J 4C which is a powerful yet lightweight unit that is ideal for use with this valve on open/closed isolation duty. The actuator has options for various voltages, in addition it is supplied with anti condensation heaters, limit and feedback switches, manual override and position indication all fitted as standard and housed in a IP67 weatherproof enclosure.



Description

A combination of a WRAS approved wafer pattern butterfly valve, fitted to a powerful electric actuator. The valve is rated PN16 and complies to 97/23/CE (PED) Directive CE1115. easy to install and offers a long and trouble free life.



Beschreibung

Eine Kombination aus einer WRAS-zugelassenen Absperrklappe mit Scheibenmuster, die an einem leistungsstarken elektrischen Stellantrieb angebracht ist. Das Ventil ist mit PN16 bewertet und entspricht der Richtlinie 97/23/CE (PED) CE1115. einfach zu installieren und bietet eine lange und störungsfreie Lebensdauer.



Descripción

Una combinación de una válvula de mariposa con patrón de oblea aprobada por WRAS, instalada en un potente actuador eléctrico. La válvula tiene una clasificación PN16 y cumple con la directiva 97/23/CE (PED) CE1115. fácil de instalar y ofrece una vida larga y sin problemas.

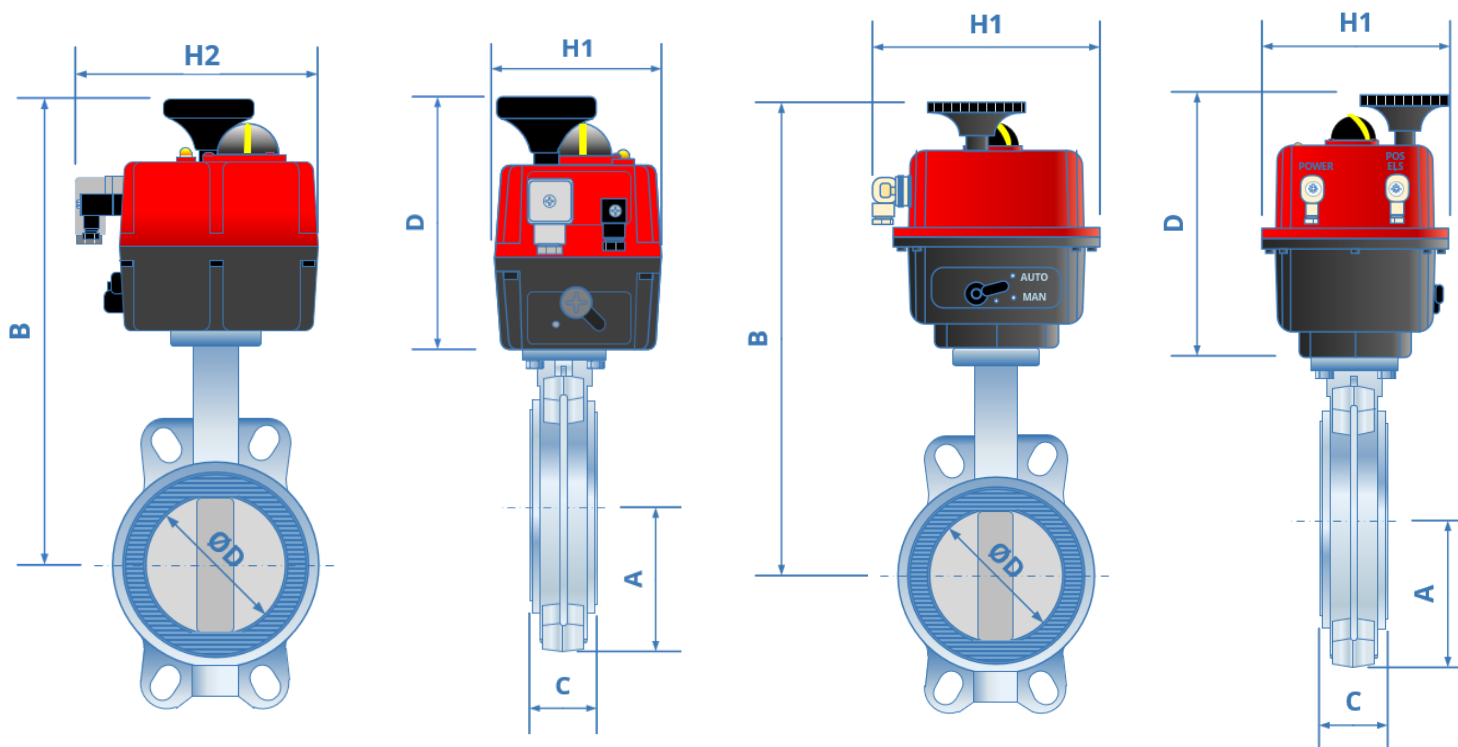


Description

Une combinaison d'une vanne papillon à motif entre brides approuvée WRAS, montée sur un puissant actionneur électrique. La vanne est classée PN16 et est conforme à la directive 97/23/CE (PED) CE1115. facile à installer et offre une durée de vie longue et sans problème.



All information is sourced from our manufacturer's data and is intended for guidance only - Valves Online can accept no liability for changes, omissions or errors.



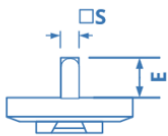
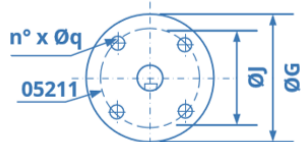
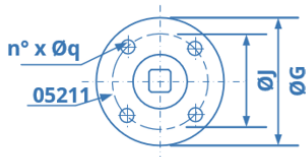
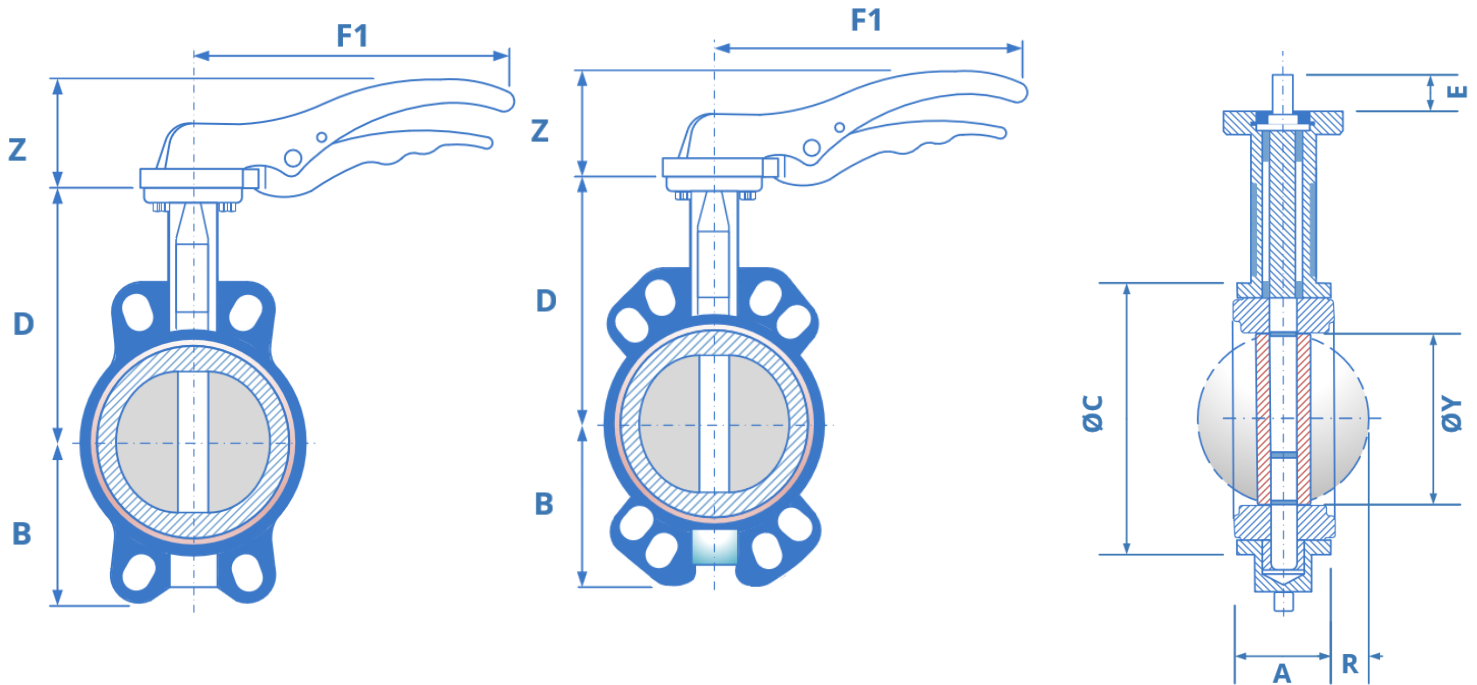
J4C 20-85
1½" - 4"

J4C 140-300
5" - 8"

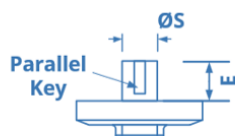
Dimensions

Size	ØD	Act.	A	B	C	D	H2	H1	Kg
1½"	27	J4 20	63	285	33	169	181	110	6.8
2"	31	J4 20	62	295	43	169	181	110	6.8
2½"	45	J4 35	69	305	46	169	181	110	7.9
3"	65	J4 55	90	346	46	196	181	110	8.4
4"	90	J4 85	106	366	52	196	181	110	10
5"	110	J4 140	119	434	56	254	235	214	17.2
6"	146	J4 140	131	454	56	254	235	214	29.2
8"	194	J4 300	166	484	60	254	235	214	36.2
10"	TBA								
12"	TBA								

All information is sourced from our manufacturer's data and is intended for guidance only - Valves Online can accept no liability for changes, omissions or errors.



DN25 - 400



DN450 - 600

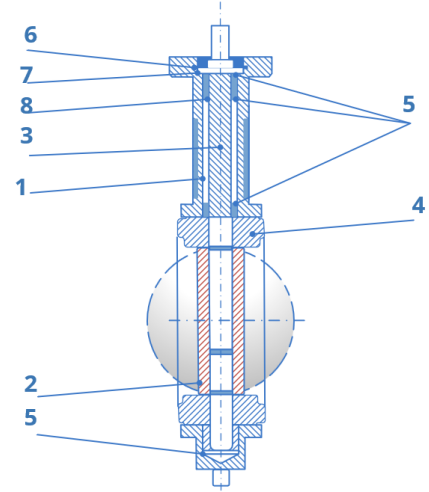
Dimensions and Weights

Size	A	B	ØC	D	E	R	Z	F1	ØY	KG	ISO	G	J	S	n x q	
1"	25	33	51	65	104	32	68	192		1.7	F05	65	50	7	4 x 7	
1 1/2"	40	33	63	82	116	21	5	50	170	27	1.83	F05	65	50	9	4 x 7
2"	50	43	62	89	126	21	5	50	170	31	2.68	F05	65	50	9	4 x 7
2 1/2"	65	46	69	102	136	21	9	50	170	45	3.45	F05	65	50	9	4 x 7
3"	80	46	90	118	150	21	17	69	206	65	4.08	F05	65	50	11	4 x 7
4"	100	52	106	150	170	21	26	69	206	90	4.83	F05	65	50	11	4 x 7
5"	125	56	119	174	180	27	34	90	285	110	7.34	F07	90	70	14	4 x 9
6"	150	56	131	205	200	27	50	90	285	146	8.2	F07	90	70	14	4 x 9
8"	200	60	166	260	230	27	71	72	400	194	14.9	F10	125	102	17	4 x 11
10"	250	68	202	318	266	27	91	72	530	241	23.8	F12	150	125	27	4 x 13
12"	300	78	235	376	292	27	112	-	-	291	31.2	F12	150	125	27	4 x 13
14"	350	78	257	406	335	27	128	-	-	324	48.3	F12	150	125	27	4 x 13
16"	400	102	292	471	360	27	144	-	-	379	74.3	F12	150	125	27	4 x 13
18"	450	114	318	539	422	51.2	163	-	-	428	107.4	F14	175	140	38	4 x 18
20"	500	127	355	594	480	64.2	182	-	-	475	155.8	F14	175	140	41.15	4 x 18
24"	550	154	444	695	562	70.2	219	-	-	573	231.1	F16	210	165	50.65	4 x 22

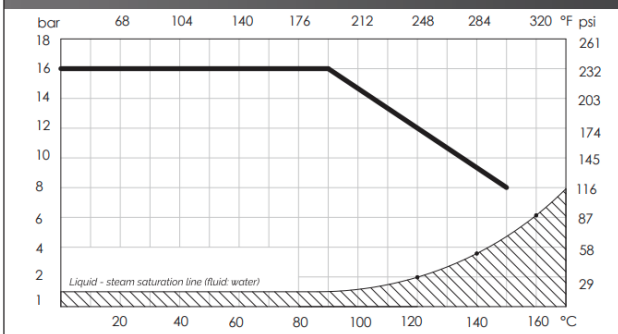
All information is sourced from our manufacturer's data and is intended for guidance only - Valves Online can accept no liability for changes, omissions or errors.

Material List

1	Body	Epoxy Coated Ductile Iron
2	Disc	Stainless Steel
3	Liner	EPDM, NBR, FKM, PTFE
4	Shaft	Stainless Steel
5	Bushing	PTFE
6	Washer	Galvanised Carbon Steel
7	Circlip ISO 3075	Steel
8	O-Ring	Viton
9	Lever	Aluminium up to 6" Ductile Iron 8" & Above
10	Bolts	Galvanised Carbon Steel



Pressure/Temperature Chart

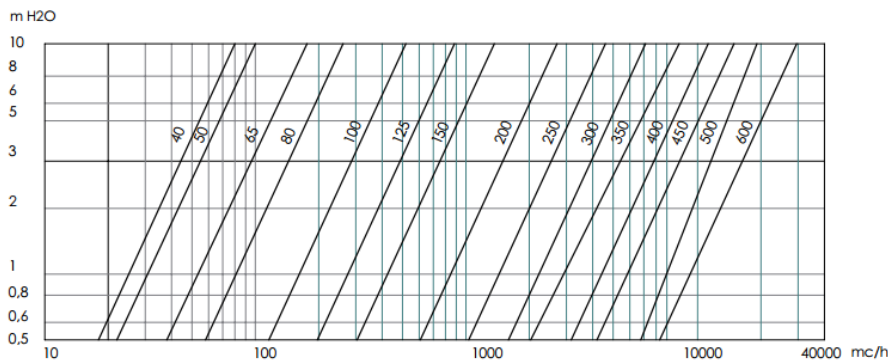


Note: Do not use when temperature and pressure are below the liquid-steam saturation line (hatched area)

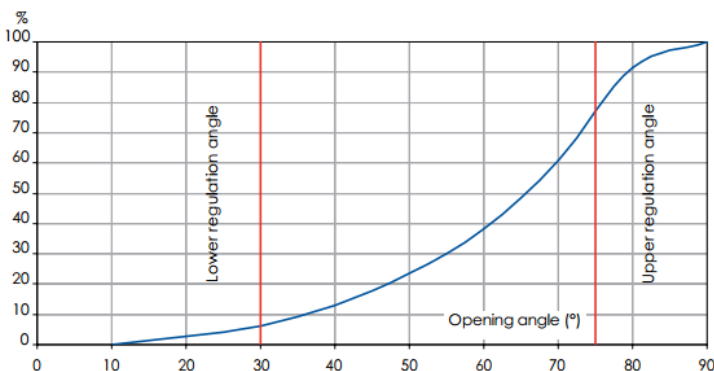
Pressure / Temperature

Pressure	1" - 16" - PN16
	18" - 24" - PN10
Temperature	EPDM -10°C to 120°C
	NBR -10°C to 80°C
	FKM (Viton) -10°C to 120°C
	PTFE -10°C to 120°C

Head loss Fluid: water (1m H2O = 0,098bar) - Head loss with shutter fully opened



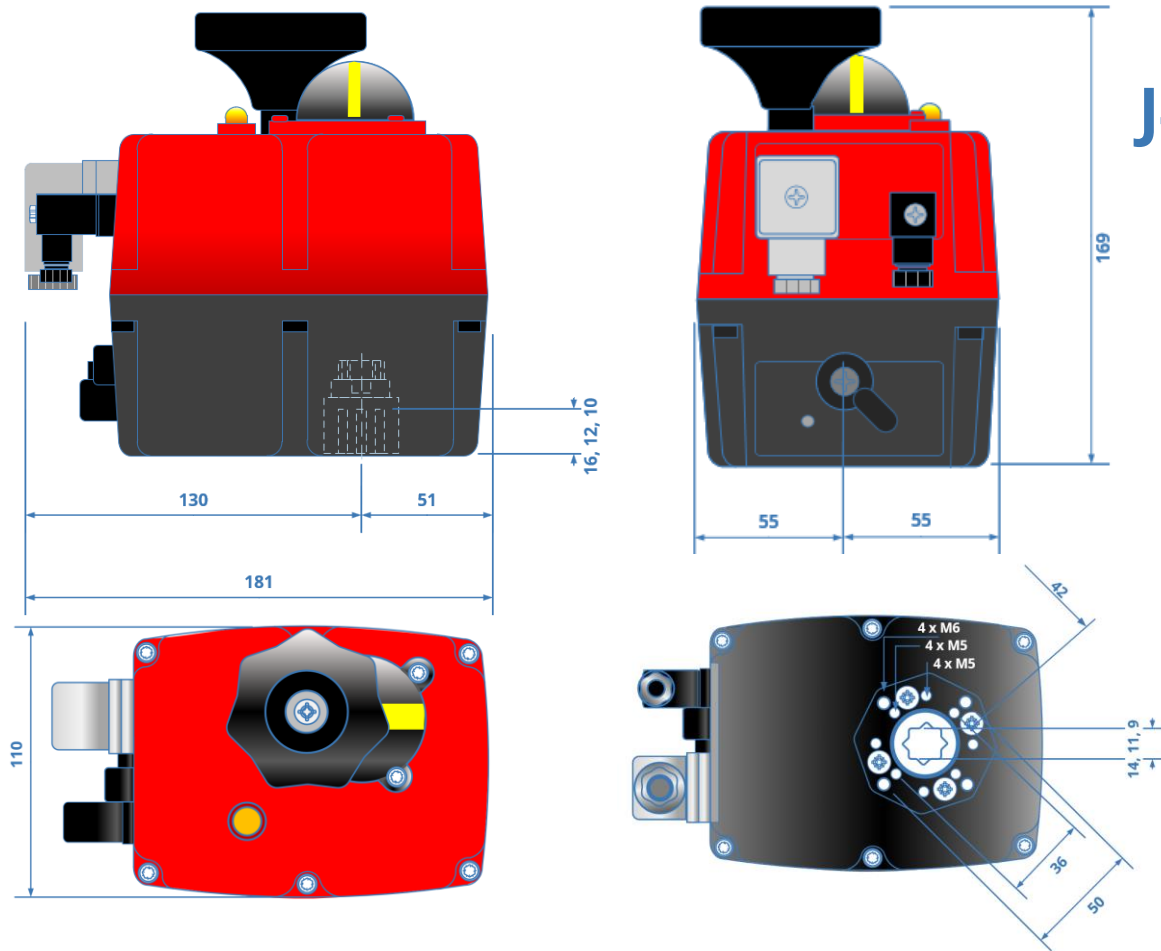
Flow rate / opening position chart Flow percentage on the flow at full opening under the same loss of head.



Operating Torque

Size		3	6	10	16
1"	25	2.9	3.1	3.3	3.4
1 1/2"	40	7.8	8.4	8.8	9.2
2"	50	11.3	12	13	13
2 1/2"	65	17	18	20	21
3"	80	23	25	26	28
4"	100	33	36	40	44
5"	125	48	54	61	68
6"	150	68	78	88	99
8"	200	120	134	148	162
10"	250	189	212	264	257
12"	300	290	316	342	367
14"	350	298	347	396	550
16"	400	481	551	622	850
18"	450	930	980	1312	1543
20"	500	1250	1350	1848	2112
24"	550	2270	2500	3005	3535

All information is sourced from our manufacturer's data and is intended for guidance only - Valves Online can accept no liability for changes, omissions or errors.



J4C 20

Model	S20	B20
Voltage VDC/VAC 50/60Hz -0/+5%	24-240 (Patent Pending)	12V Only
Operation Time Unload	9 Sec/90°	9 Sec/90°
Maximum Torque Break	25 Nm / 221 lb/in	25 Nm / 221 lb/in
Maximum Operational Torque	20 Nm / 177 lb/in	20 Nm / 177 lb/in
Duty Rating	75%	0.75%
Max. Working Angle	0° - 270°	0° - 270°
Limit Switch	4 x SPST NO micro (2 motor stop & 2 confirmation)	4 x SPST NO micro (2 motor stop & 2 confirmation)
Automatic Heater	3.5W	3.5W
Large Plug	EN175301-803 Form A	EN175301-803 Form A
Small Plug	DIN43650/C	DIN43650/C
Protection IEC Rating 60529	IP67	IP67
Temperature	- 20°C to + 70°C	- 20°C to + 70°C
Weight	1.8 Kg	1.8 Kg

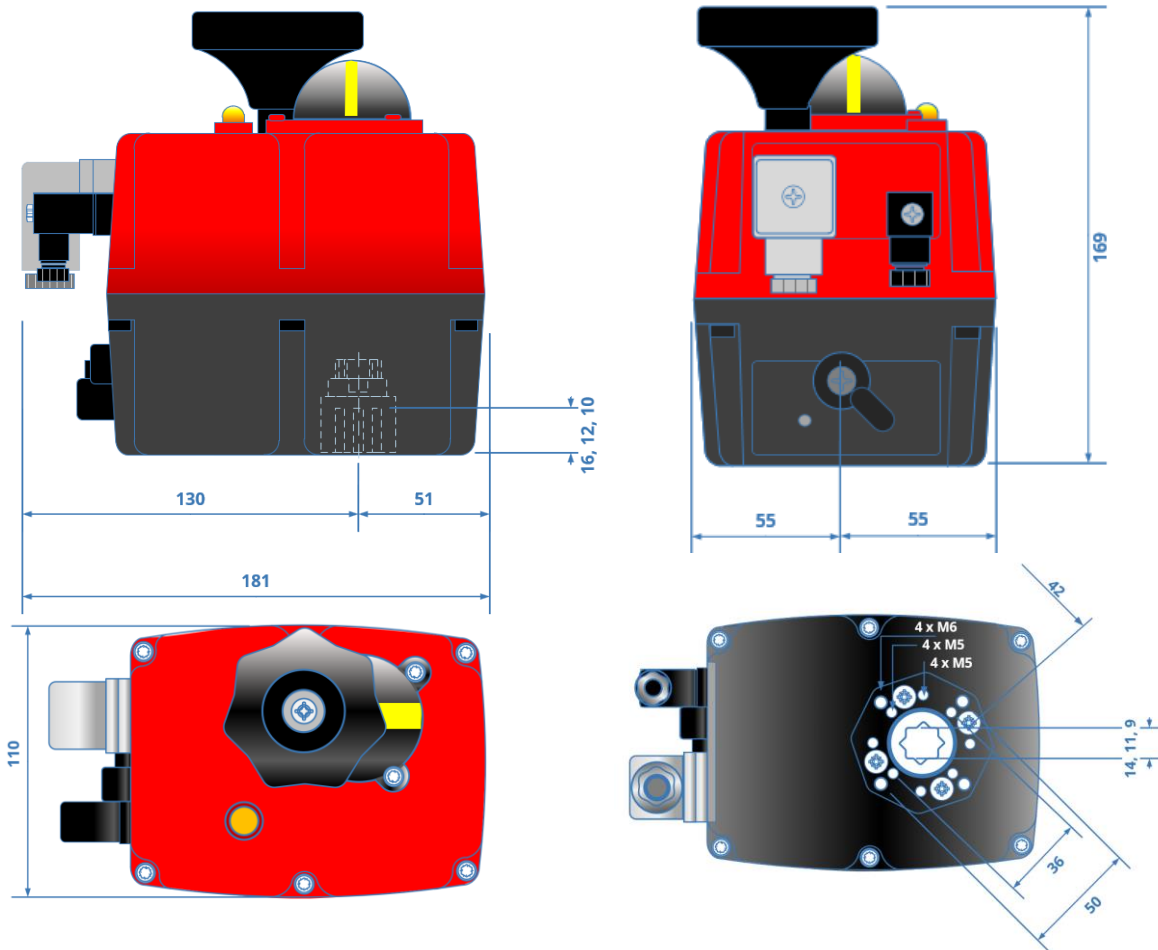
GENERAL CHARACTERISTICS**Housing:** Anticorrosive polyamide (lid & body)**Main external shaft:** stainless steel.**External screws:** stainless steel**Gears:** Steel and polyamide**Visual position indicator:** Polyamide**Dome:** Polycarbonate.**Adjustable internal cams:** Polyamide**Electric motor:** 24VDC Brushless motor**Insulation:** Class B (IEC 60034) Service: S4**VALVE CONNECTION**

ISO 5211 Plate : F03/F04/F05

DIN 3337 Female output drive : *14 mm

Options: DIN 3337 Female output drive: *9 or *11 mm
F05 to F07 Conversion Kit with *17mm output**OPTIONS**-J4C 20/85 DPS digital positioner: 4-20mA, 0-20mA, 0-10V or 1-10V. -
J4C 20/85 BSR emergency fail safe kit system by battery

All information is sourced from our manufacturer's data and is intended for guidance only - Valves Online can accept no liability for changes, omissions or errors.



Model	S35	B35
Voltage VDC/VAC 50/60Hz -0/+5%	24-240 (Patent Pending)	12V Only
Operation Time Unload	9 Sec/90°	9 Sec/90°
Maximum Torque Break	38 Nm / 359.3 lb/in	38 Nm / 359.3 lb/in
Maximum Operational Torque	35 Nm / 309 lb/in	35 Nm / 309 lb/in
Duty Rating	75%	0.75%
Max. Working Angle	0° - 270°	0° - 270°
Limit Switch	4 x SPST NO micro (2 motor stop & 2 confirmation)	4 x SPST NO micro (2 motor stop & 2 confirmation)
Automatic Heater	3.5W	3.5W
Large Plug	EN175301-803 Form A	EN175301-803 Form A
Small Plug	DIN43650/C	DIN43650/C
Protection IEC Rating 60529	IP67	IP67
Temperature	- 20°C to + 70°C	- 20°C to + 70°C
Weight	1.9 Kg	1.9 Kg

GENERAL CHARACTERISTICS

Housing: Anticorrosive polyamide (lid & body)

Main external shaft: stainless steel.

External screws: stainless steel

Gears: Steel and polyamide

Visual position indicator: Polyamide

Dome: Polycarbonate.

Adjustable internal cams: Polyamide

Electric motor: 24VDC Brushless motor

Insulation: Class B (IEC 60034) Service: S4

VALVE CONNECTION

ISO 5211 Plate : F03/F04/F05

DIN 3337 Female output drive : *14 mm

Options: DIN 3337 Female output drive: *9 or *11 mm

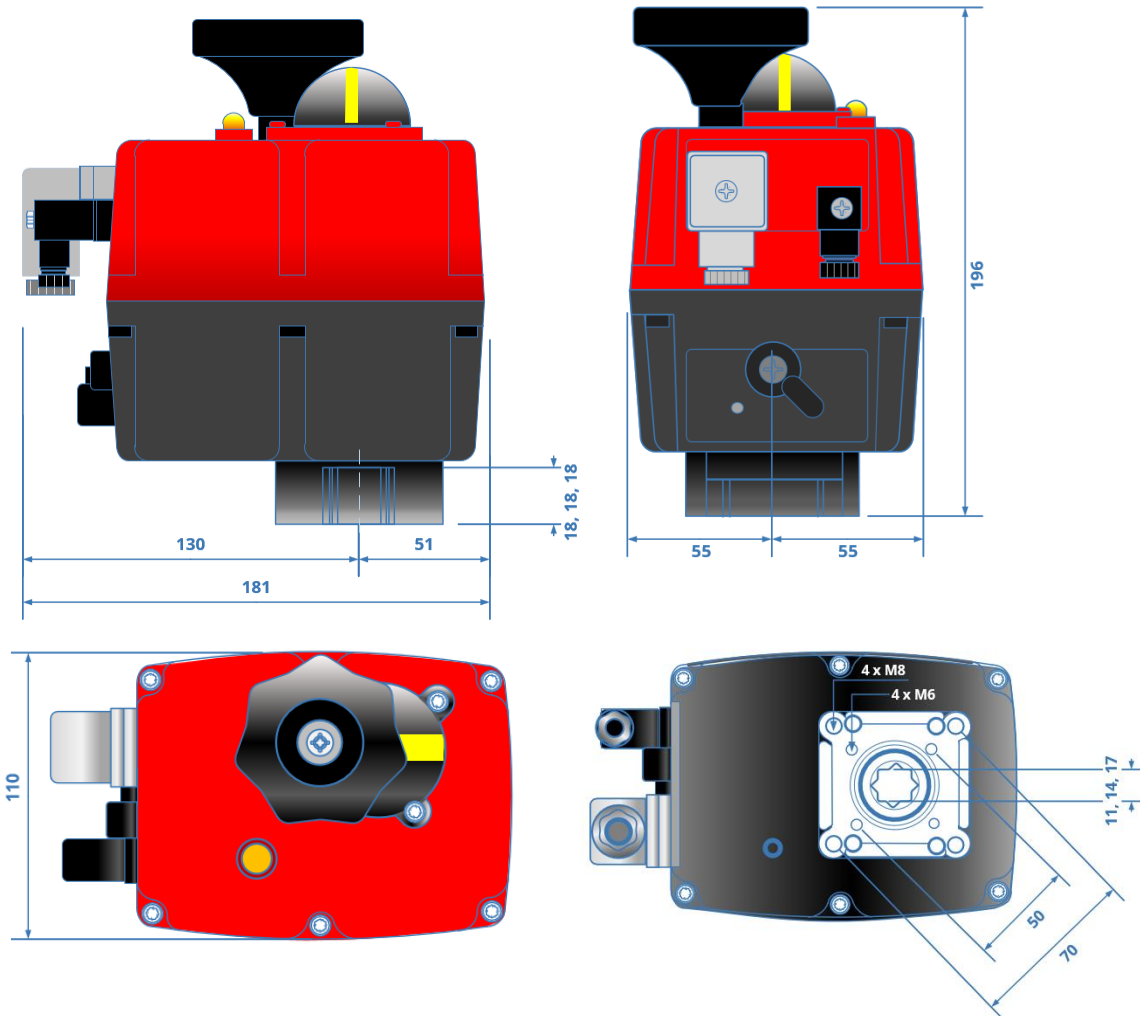
F05 to F07 Conversion Kit with *17mm output

OPTIONS

-J4C 20/85 DPS digital positioner: 4-20mA, 0-20mA, 0-10V or 1-10V. -

J4C 20/85 BSR emergency fail safe kit system by battery

All information is sourced from our manufacturer's data and is intended for general information only. Please contact us for more detailed information.



Model	S55	B55
Voltage VDC/VAC 50/60Hz -0/+5%	24-240 (Patent Pending)	12V Only
Operation Time Unload	13 Sec/90°	13 Sec/90°
Maximum Torque Break	60 Nm / 530 lb/in	60 Nm / 530 lb/in
Maximum Operational Torque	55 Nm / 486 lb/in	55 Nm / 486 lb/in
Duty Rating	75%	0.75%
Max. Working Angle	0° - 270°	0° - 270°
Limit Switch	4 x SPST NO micro (2 motor stop & 2 confirmation)	4 x SPST NO micro (2 motor stop & 2 confirmation)
Automatic Heater	3.5W	3.5W
Large Plug	EN175301-803 Form A	EN175301-803 Form A
Small Plug	DIN43650/C	DIN43650/C
Protection IEC Rating 60529	IP67	IP67
Temperature	- 20°C to + 70°C	- 20°C to + 70°C
Weight	2.4 Kg	2.4 Kg

GENERAL CHARACTERISTICS

Housing: Anticorrosive polyamide (lid & body)

Main external shaft: stainless steel.

External screws: stainless steel

Gears: Steel and polyamide

Visual position indicator: Polyamide

Dome: Polycarbonate.

Adjustable internal cams: Polyamide

Electric motor: 24VDC Brushless motor

Insulation: Class B (IEC 60034) Service: S4

VALVE CONNECTION

ISO 5211 Plate : F05/F07

DIN 3337 Female output drive : *17 mm

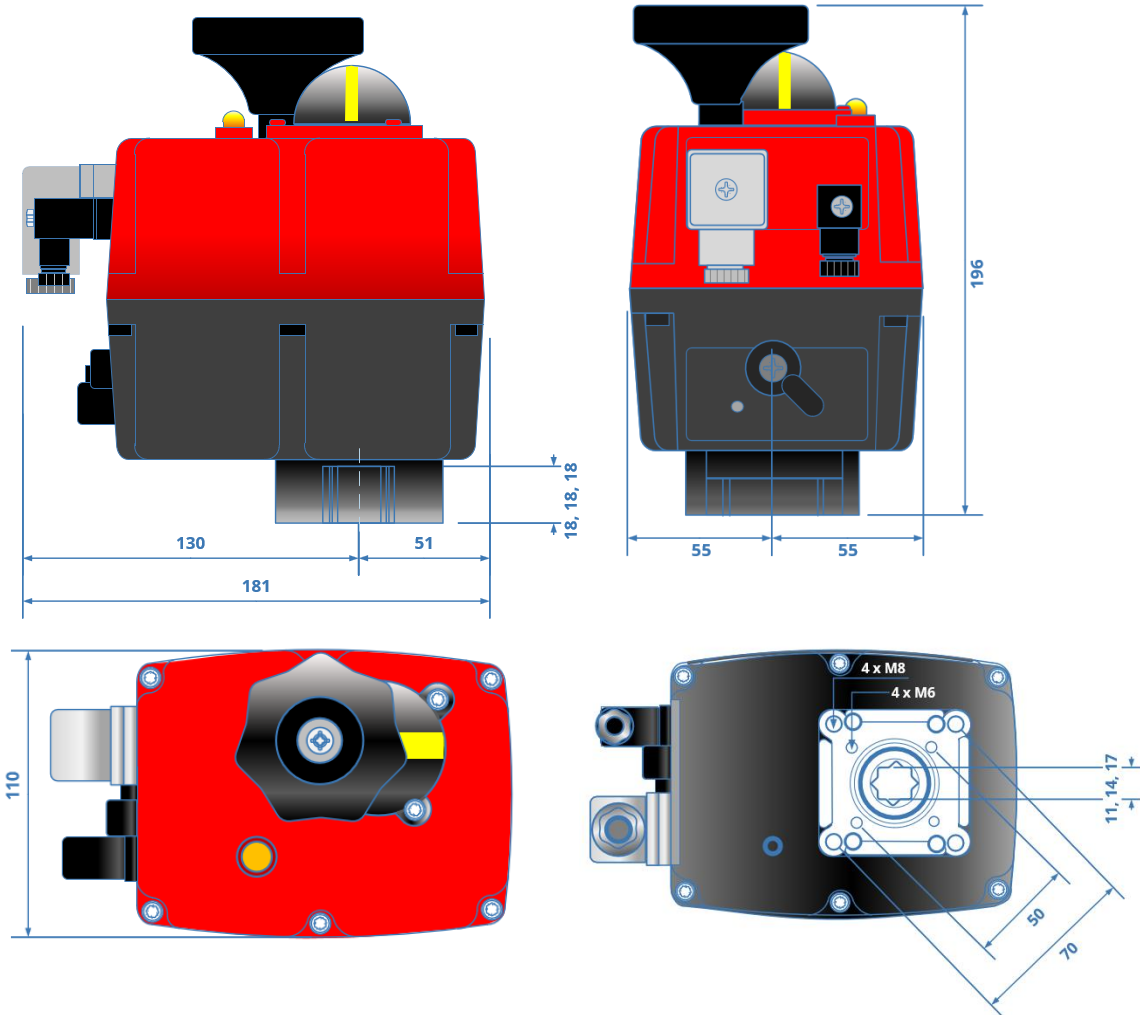
Option: DIN 3337 Female output drive: *11 or *14 mm

OPTIONS

-J4C 20/85 DPS digital positioner: 4-20mA, 0-20mA, 0-10V or 1-10V. -

J4C 20/85 BSR emergency fail safe kit system by battery -Digital potentiometer: 1K, 5K or 10K. -3 position actuator: 0°-45°-90° or 0°-90°-180°

All information is sourced from our manufacturer's data and is intended for general information only. Please refer to the manufacturer's data for detailed specifications and drawings.



Model	S85	B85
Voltage VDC/VAC 50/60Hz -0/+5%	24-240 (Patent Pending)	12V Only
Operation Time Unload	29 Sec/90°	29 Sec/90°
Maximum Torque Break	90 Nm / 796.3 lb/in	90 Nm / 796.3 lb/in
Maximum Operational Torque	85 Nm / 752 lb/in	85 Nm / 752 lb/in
Duty Rating	75%	0.75%
Max. Working Angle	0° - 270°	0° - 270°
Limit Switch	4 x SPST NO micro (2 motor stop & 2 confirmation)	4 x SPST NO micro (2 motor stop & 2 confirmation)
Automatic Heater	3.5W	3.5W
Large Plug	EN175301-803 Form A	EN175301-803 Form A
Small Plug	DIN43650/C	DIN43650/C
Protection IEC Rating 60529	IP67	IP67
Temperature	- 20°C to + 70°C	- 20°C to + 70°C
Weight	3 Kg	3 Kg

GENERAL CHARACTERISTICS**Housing:** Anticorrosive polyamide (lid & body)**Main external shaft:** stainless steel.**External screws:** stainless steel**Gears:** Steel and polyamide**Visual position indicator:** Polyamide**Dome:** Polycarbonate.**Adjustable internal cams:** Polyamide**Electric motor:** 24VDC Brushless motor**Insulation:** Class B (IEC 60034) Service: S4**VALVE CONNECTION**

ISO 5211 Plate : F05/F07

DIN 3337 Female output drive : *17 mm

Option: DIN 3337 Female output drive: *11 or *14 mm

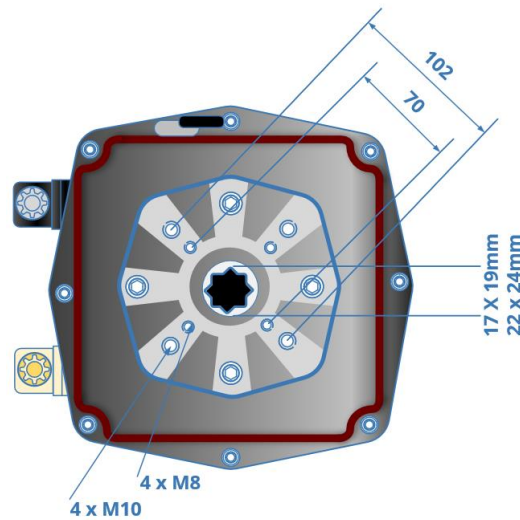
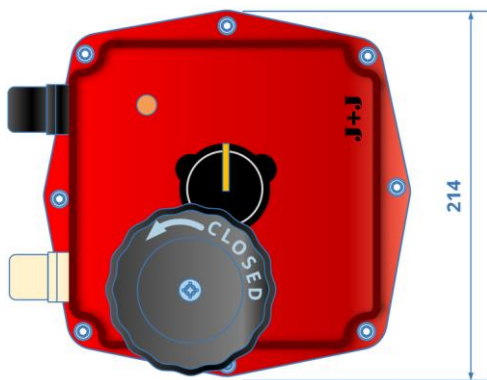
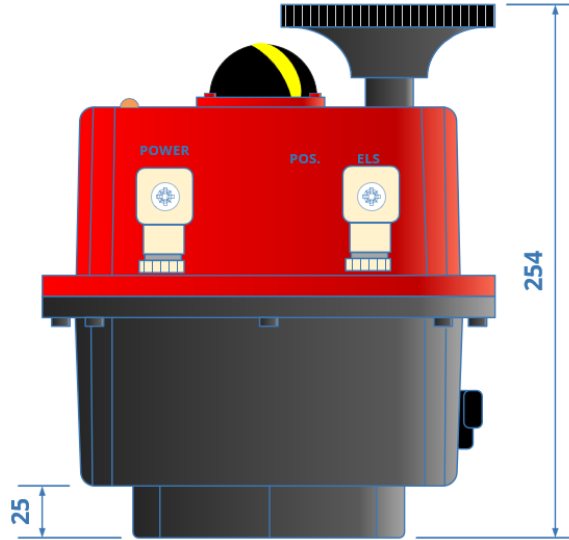
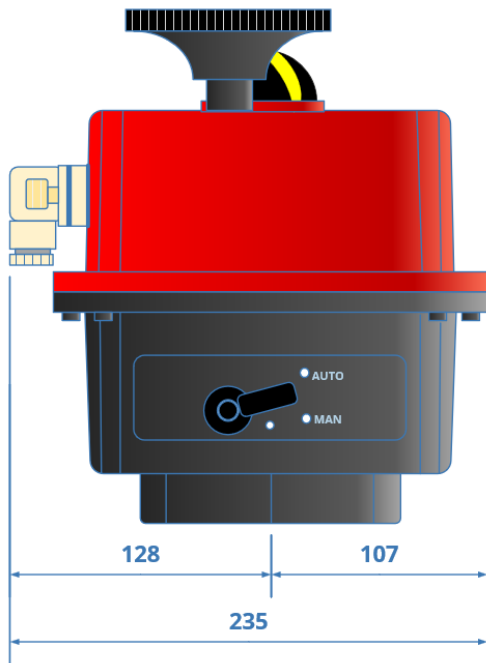
OPTIONS

-J4C 20/85 DPS digital positioner: 4-20mA, 0-20mA, 0-10V or 1-10V. -
 J4C 20/85 BSR emergency fail safe kit system by battery -Digital
 potentiometer: 1K, 5K or 10K. -3 position actuator: 0°-45°-90° or 0°-
 90°-180°

All information is sourced from our manufacturer's data and is intended for guidance only - Valves Online can accept no liability for changes, omissions or errors.

EA5572

J4C 140



Model	S140	B140
Voltage VDC/VAC 50/60Hz -0/+5%	24-240 (Patent Pending)	12V Only
Operation Time Unload	34 Sec/90°	9 Sec/90°
Maximum Torque Break	170 Nm / 1504.5 lb/in	170 Nm / 1504.5 lb/in
Maximum Operational Torque	140 Nm / 1239 lb/in	140 Nm / 1239 lb/in
Duty Rating	75%	0.75%
Max. Working Angle	0° - 270°	0° - 270°
Limit Switch	4 x SPST NO micro (2 motor stop & 2 confirmation)	4 x SPST NO micro (2 motor stop & 2 confirmation)
Automatic Heater	3.5W	3.5W
Large Plug	EN175301-803 Form A	EN175301-803 Form A
Small Plug	DIN43650/C	DIN43650/C
Protection IEC Rating 60529	IP67	IP67
Temperature	- 20°C to + 70°C	- 20°C to + 70°C
Weight	5.2 Kg	5.2 Kg

GENERAL CHARACTERISTICS

Housing: Anticorrosive polyamide (lid & body)

Main external shaft: stainless steel.

External screws: stainless steel

Gears: Steel and polyamide

Visual position indicator: Polyamide

Dome: Polycarbonate.

Adjustable internal cams: Polyamide

Electric motor: 24VDC Brushless motor

Insulation: Class B (IEC 60034) Service: S4

VALVE CONNECTION

ISO 5211 Plate : F07/F10 DIN 3337 Female output drive : *22 mm

Option: ISO 5211 Plate : F12 DIN 3337 Female output drive: *17 mm

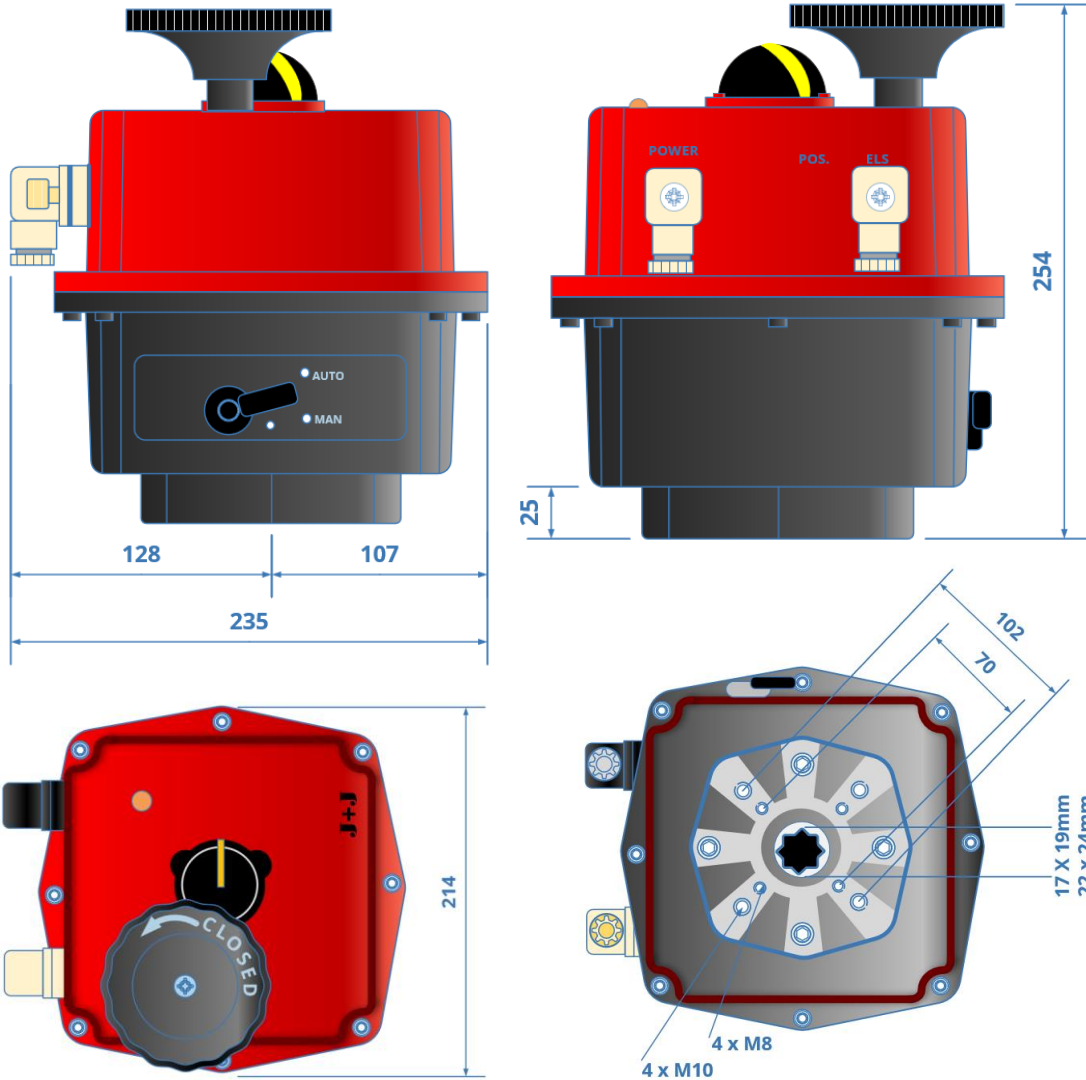
OPTIONS

-J4C 140/300 DPS digital positioner: 4-20mA, 0-20mA, 0-10V or 1-

10V. -J4C 140/300 BSR emergency fail safe kit system by battery -

Digital potentiometer: 1K, 5K or 10K. -3 position actuator: 0°-45°-90° or 0°-90°-180°

All information is sourced from our manufacturer's data and is intended for general information only. Please contact us for more detailed information.



Model	S300	B300
Voltage VDC/VAC 50/60Hz -0/+5%	24-240 (Patent Pending)	12V Only
Operation Time Unload	58 Sec/90°	58 Sec/90°
Maximum Torque Break	350 Nm / 3097.5 lb/in	350 Nm / 3097.5 lb/in
Maximum Operational Torque	300 Nm / 2655 lb/in	300 Nm / 2655 lb/in
Duty Rating	75%	0.75%
Max. Working Angle	0° - 270°	0° - 270°
Limit Switch	4 x SPST NO micro (2 motor stop & 2 confirmation)	4 x SPST NO micro (2 motor stop & 2 confirmation)
Automatic Heater	3.5W	3.5W
Large Plug	EN175301-803 Form A	EN175301-803 Form A
Small Plug	DIN43650/C	DIN43650/C
Protection IEC Rating 60529	IP67	IP67
Temperature	- 20°C to + 70°C	- 20°C to + 70°C
Weight	5.2 Kg	5.2 Kg

GENERAL CHARACTERISTICS

Housing: Anticorrosive polyamide (lid & body)

Main external shaft: stainless steel.

External screws: stainless steel

Gears: Steel and polyamide

Visual position indicator: Polyamide

Dome: Polycarbonate.

Adjustable internal cams: Polyamide

Electric motor: 24VDC Brushless motor

Insulation: Class B (IEC 60034) Service: S4

VALVE CONNECTION

ISO 5211 Plate : F07/F10 DIN 3337 Female output drive : *22 mm

Option: ISO 5211 Plate : F12 DIN 3337 Female output drive: *17 mm

OPTIONS

-J4C 140/300 DPS digital positioner: 4-20mA, 0-20mA, 0-10V or 1-

10V. -J4C 140/300 BSR emergency fail safe kit system by battery -

Digital potentiometer: 1K, 5K or 10K. -3 position actuator: 0°-45°-90° or 0°-90°-180°

All information is sourced from our manufacturer's data and is intended for guidance only - Valves Online can accept no liability for changes, omissions or errors.