



## Electric J & J Actuated Stainless Steel Ball Valve

- Size Range 1/4" - 2"
- Larger Sizes on Request
- Full Flow, Screwed BSPT
- PTFE Seals
- Powerful Electric Actuator
- Manual Override included

### Description

The combination of a 3 piece full bore ball valve in stainless steel, complete with an ISO mounting platform which allows the J and J electric actuator to sit perfectly on top of the valve, without the need for additional brackets and giving a modular automated unit. The ball valve is screwed BSPT and is fitted with PTFE seats and seals. The actuator is sized to suit the valve on opening and closing with an additional 30% safety factor included.

The j and j actuator is powerful, lightweight and is offered in most supply voltages. The actuator has additional in-built extras as standard, which include anti condensation heaters, manual override, optical position indicator, limit switch's, DIN plug connector and more.

### Options

Battery Fail Safe  
Modulation Card

### Max Pressure

82 Bar (1/4"-1"),  
69 Bar (1 1/4"-1 1/2"),  
62 Bar (2"-4")

### Working Temperature

25°C to +200°C



### Description

A full bore, 3 piece ball valve, manufactured in 316 stainless steel. Screwed BSPT end connections with PTFE Seats. Fitted to a powerful IP67 J + J Electric actuator. Suitable for slightly aggressive media, makes this combination a reliable and compact solution, offering modular automatic isolation to your plant.



### Beschreibung

Ein dreiteiliger Kugelhahn mit vollem Durchgang, hergestellt aus Edelstahl 316. Geschraubte BSPT-Endanschlüsse mit PTFE-Sitzen. Ausgestattet mit einem leistungsstarken elektrischen Stellantrieb von J + J IP67. Geeignet für leicht aggressive Medien, macht diese Kombination eine zuverlässige und kompakte Lösung, die Ihrer Anlage eine modulare automatische Isolierung bietet.



### Descripción

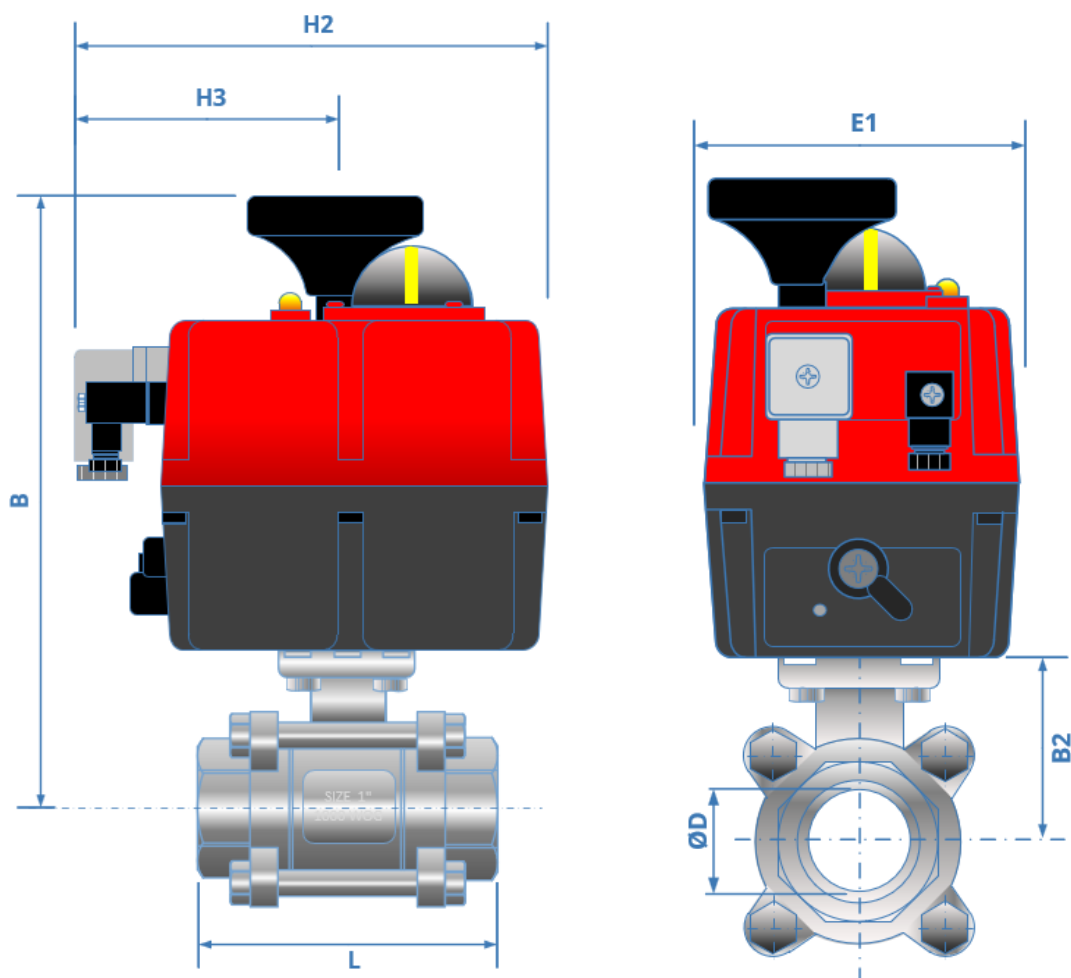
Válvula de bola de paso total, de 3 piezas, fabricada en acero inoxidable 316. Conexiones finales BSPT atornilladas con asientos de PTFE. Montado sobre un potente actuador eléctrico IP67 J+J. Adecuada para medios ligeramente agresivos, hace de esta combinación una solución fiable y compacta, ofreciendo un aislamiento automático modular a su planta.



### Description

Vanne à boisseau sphérique 3 pièces à passage intégral, fabriquée en acier inoxydable 316. Embouts vissés BSPT avec sièges PTFE. Monté sur un puissant actionneur électrique IP67 J + J. Adapté aux milieux légèrement agressifs, fait de cette combinaison une solution fiable et compacte, offrant une isolation automatique modulaire à votre installation.

# BV5571

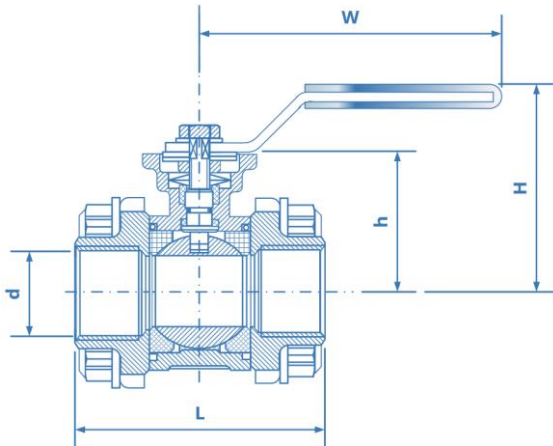


## Dimensions - BSPT THREADED ENDS

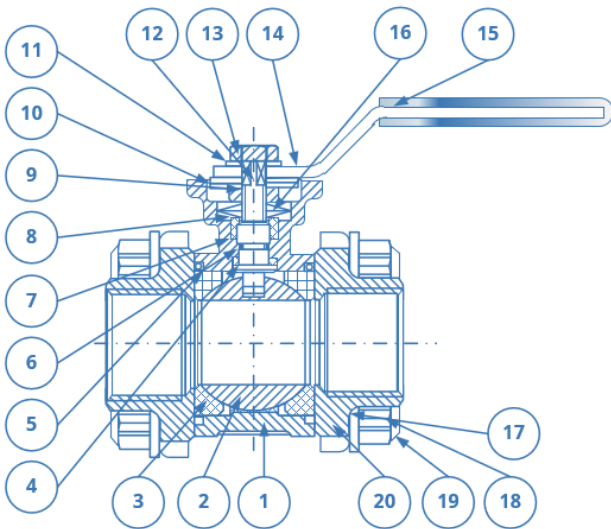
| Size D | DN   | PN | Act. | L   | B2    | B     | E1  | H2  | H3  | Kg   |
|--------|------|----|------|-----|-------|-------|-----|-----|-----|------|
| 1/4"   | 11   | 82 | J20  | 50  | 32.5  | 201.5 | 110 | 181 | 130 | 2.6  |
| 3/8"   | 12.5 | 82 | J20  | 60  | 32.5  | 201.5 | 110 | 181 | 130 | 2.28 |
| 1/2"   | 15   | 82 | J20  | 75  | 42    | 211   | 110 | 181 | 130 | 2.31 |
| 3/4"   | 20   | 82 | J20  | 80  | 50    | 219   | 110 | 181 | 130 | 2.69 |
| 1"     | 25   | 82 | J20  | 90  | 58    | 227   | 110 | 181 | 130 | 3.07 |
| 1 1/4" | 32   | 69 | J20  | 110 | 64    | 233   | 110 | 181 | 130 | 3.84 |
| 1 1/2" | 40   | 69 | J35  | 120 | 69.5  | 238.5 | 110 | 181 | 130 | 4.9  |
| 2"     | 50   | 62 | J35  | 140 | 78    | 247   | 110 | 181 | 130 | 5.7  |
| 2 1/2" | 65   | 62 | J85  | 185 | 100   | 296   | 110 | 181 | 130 | 10.8 |
| 3"     | 80   | 62 | J140 | 205 | 112.5 | 366.5 | 214 | 235 | 128 | 17.6 |
| 4"     | 100  | 62 | J300 | 240 | 112.5 | 366.5 | 214 | 235 | 128 | 26   |

All information is sourced from our manufacturer's data and is intended for guidance only - Valves Online can accept no liability for changes, omissions or errors.

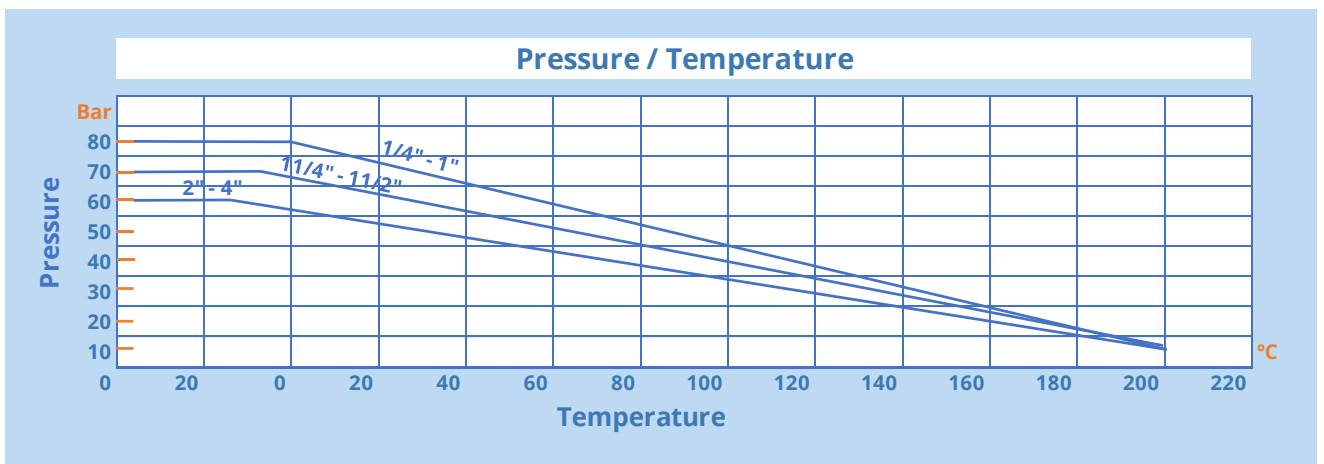
## Dimensions and Standards



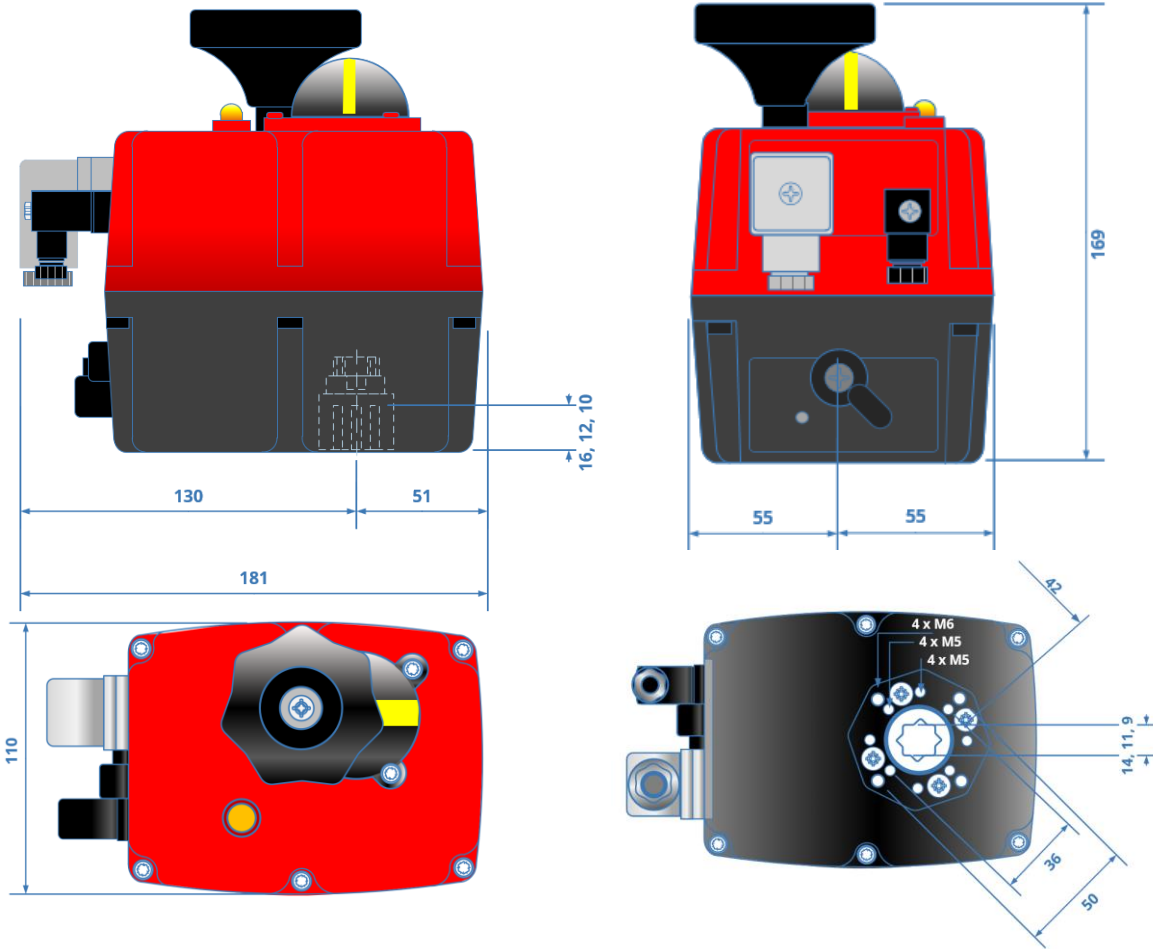
| Dimensions |      |     |     |       |     |    |         |      |
|------------|------|-----|-----|-------|-----|----|---------|------|
| Size       | d    | L   | H   | h     | W   | C  | ISO TOP | Kg   |
| 1/4"       | 11   | 50  | 59  | 32.5  | 115 | 9  | F03     | 0.46 |
| 3/8"       | 12.5 | 60  | 59  | 32.5  | 115 | 9  | F03     | 0.48 |
| 1/2"       | 15   | 75  | 70  | 42    | 117 | 9  | F03/F04 | 0.51 |
| 3/4"       | 20   | 80  | 78  | 50    | 134 | 11 | F04/F05 | 0.89 |
| 1"         | 25   | 90  | 87  | 58    | 134 | 11 | F04/F05 | 1.27 |
| 1 1/4"     | 32   | 110 | 98  | 64    | 203 | 14 | F05/F07 | 2.04 |
| 1 1/2"     | 40   | 120 | 104 | 69.5  | 203 | 14 | F05/F07 | 3    |
| 2"         | 50   | 140 | 112 | 78    | 203 | 14 | F05/F07 | 3.8  |
| 2 1/2"     | 65   | 185 | 140 | 100   | 255 | 17 | F07/F10 | 7.8  |
| 3"         | 80   | 205 | 153 | 112.5 | 255 | 17 | F07/F10 | 12.4 |
| 4"         | 100  | 240 | 166 | 112.5 | 302 | 17 | F07/F10 | 20.8 |



| No. | Name             | Material            |
|-----|------------------|---------------------|
| 1   | Body             | CF8M                |
| 2   | Ball             | Stainless Steel 316 |
| 3   | Ball Seat        | R-PTFE (15%)        |
| 4   | Thrust Washer    | PTFE                |
| 5   | Body Gasket      | PTFE                |
| 6   | O-Ring           | Viton               |
| 7   | Stem Packing     | PTFE                |
| 8   | Gland            | Stainless Steel 304 |
| 9   | Tab Washer       | Stainless Steel 304 |
| 10  | Stopper          | Stainless Steel 304 |
| 11  | Spring Washer    | Stainless Steel 304 |
| 12  | Stem             | Stainless Steel 316 |
| 13  | Nut              | Stainless Steel 304 |
| 14  | Handle           | Stainless Steel 304 |
| 15  | Handle Cover     | Plastic             |
| 16  | Bellville Washer | Stainless Steel 301 |
| 17  | Spring Washer    | Stainless Steel 304 |
| 18  | Nut              | Stainless Steel 304 |
| 19  | Bolt             | Stainless Steel 304 |
| 20  | Cap              | CF8M                |
| 21  | Stop Pin         | Stainless Steel 304 |



All information is sourced from our manufacturer's data and is intended for guidance only - Valves Online can accept no liability for changes, omissions or errors.



| Model                                 | S20   | B20   |
|---------------------------------------|---|---|
| <b>Voltage VDC/VAC 50/60Hz -0/+5%</b> | 24-240 (Patent Pending)                           | 12V Only  |
| <b>Operation Time Unload</b>          | 9 Sec/90°   | 9 Sec/90°   |
| <b>Maximum Torque Break</b>           | 25 Nm / 221 lb/in                                 | 25 Nm / 221 lb/in                                 |
| <b>Maximum Operational Torque</b>     | 20 Nm / 177 lb/in                                 | 20 Nm / 177 lb/in                                 |
| <b>Duty Rating</b>                    | 75%   | 0.75%   |
| <b>Max. Working Angle</b>             | 0° - 270°   | 0° - 270°   |
| <b>Limit Switch</b>                   | 4 x SPST NO micro (2 motor stop & 2 confirmation) | 4 x SPST NO micro (2 motor stop & 2 confirmation) |
| <b>Automatic Heater</b>               | 3.5W  | 3.5W  |
| <b>Large Plug</b>                     | EN175301-803 Form A                               | EN175301-803 Form A                               |
| <b>Small Plug</b>                     | DIN43650/C  | DIN43650/C  |
| <b>Protection IEC Rating 60529</b>    | IP67  | IP67  |
| <b>Temperature</b>                    | - 20°C to + 70°C                                  | - 20°C to + 70°C                                  |
| <b>Weight</b>                         | 1.8 Kg  | 1.8 Kg  |

## GENERAL CHARACTERISTICS

**Housing:** Anticorrosive polyamide (lid & body)

**Main external shaft:** stainless steel.

**External screws:** stainless steel

**Gears:** Steel and polyamide

**Visual position indicator:** Polyamide

**Dome:** Polycarbonate.

**Adjustable internal cams:** Polyamide

**Electric motor:** 24VDC Brushless motor

**Insulation:** Class B (IEC 60034) Service: S4

## VALVE CONNECTION

ISO 5211 Plate : F03/F04/F05

DIN 3337 Female output drive : \*14 mm

Options: DIN 3337 Female output drive: \*9 or \*11 mm

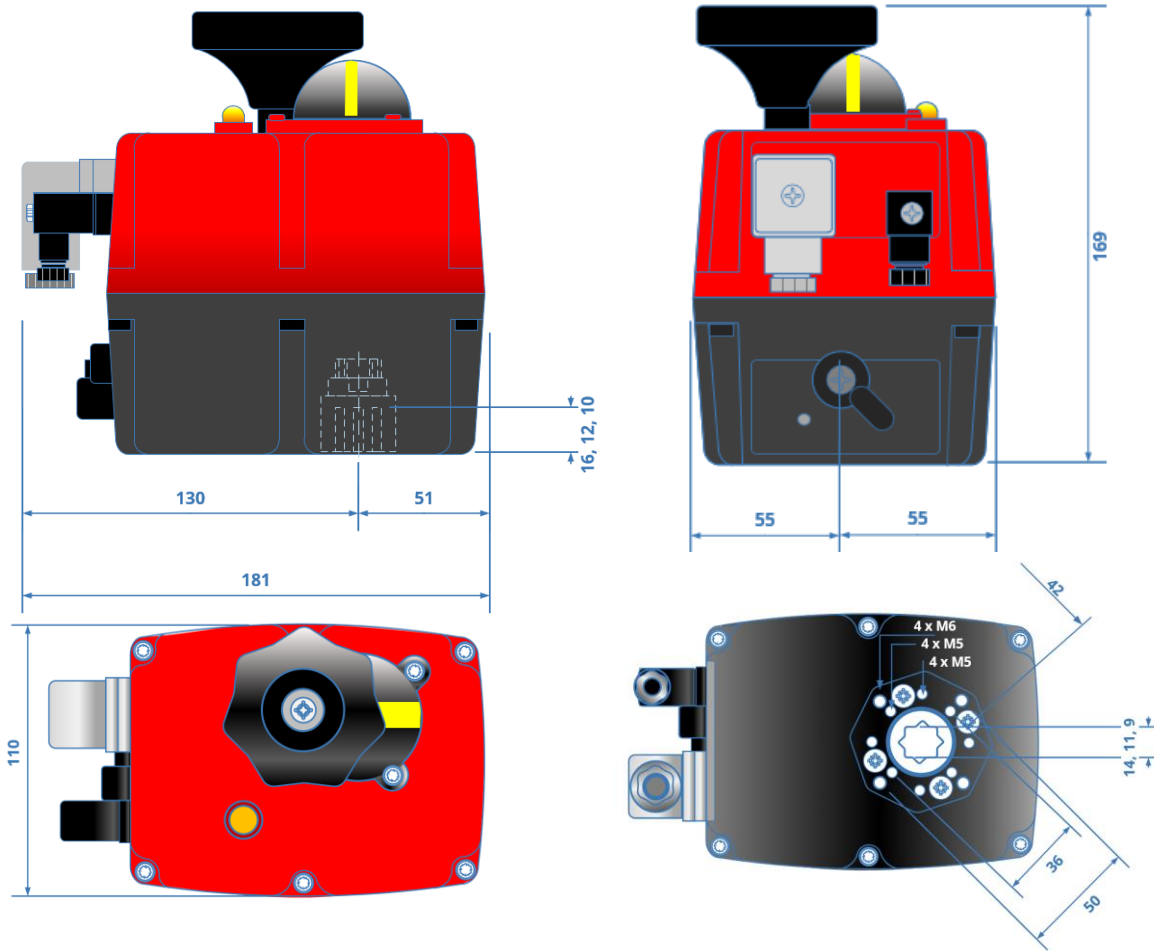
F05 to F07 Conversion Kit with \*17mm output

## OPTIONS

-J4C 20/85 DPS digital positioner: 4-20mA, 0-20mA, 0-10V or 1-10V. -

J4C 20/85 BSR emergency fail safe kit system by battery

All information is sourced from our manufacturer's data and is intended for guidance only - Valves Online can accept no liability for changes, omissions or errors.



| Model                                 | S35   | B35   |
|---------------------------------------|---|---|
| <b>Voltage VDC/VAC 50/60Hz -0/+5%</b> | 24-240 (Patent Pending)                           | 12V Only  |
| <b>Operation Time Unload</b>          | 9 Sec/90°   | 9 Sec/90°   |
| <b>Maximum Torque Break</b>           | 38 Nm / 359.3 lb/in                               | 38 Nm / 359.3 lb/in                               |
| <b>Maximum Operational Torque</b>     | 35 Nm / 309 lb/in                                 | 35 Nm / 309 lb/in                                 |
| <b>Duty Rating</b>                    | 75%   | 0.75%   |
| <b>Max. Working Angle</b>             | 0° - 270°   | 0° - 270°   |
| <b>Limit Switch</b>                   | 4 x SPST NO micro (2 motor stop & 2 confirmation) | 4 x SPST NO micro (2 motor stop & 2 confirmation) |
| <b>Automatic Heater</b>               | 3.5W  | 3.5W  |
| <b>Large Plug</b>                     | EN175301-803 Form A                               | EN175301-803 Form A                               |
| <b>Small Plug</b>                     | DIN43650/C  | DIN43650/C  |
| <b>Protection IEC Rating 60529</b>    | IP67  | IP67  |
| <b>Temperature</b>                    | - 20°C to + 70°C                                  | - 20°C to + 70°C                                  |
| <b>Weight</b>                         | 1.9 Kg  | 1.9 Kg  |

### GENERAL CHARACTERISTICS

**Housing:** Anticorrosive polyamide (lid & body)

**Main external shaft:** stainless steel.

**External screws:** stainless steel

**Gears:** Steel and polyamide

**Visual position indicator:** Polyamide

**Dome:** Polycarbonate.

**Adjustable internal cams:** Polyamide

**Electric motor:** 24VDC Brushless motor

**Insulation:** Class B (IEC 60034) Service: S4

### VALVE CONNECTION

ISO 5211 Plate : F03/F04/F05

DIN 3337 Female output drive : \*14 mm

Options: DIN 3337 Female output drive: \*9 or \*11 mm

F05 to F07 Conversion Kit with \*17mm output

### OPTIONS

-J4C 20/85 DPS digital positioner: 4-20mA, 0-20mA, 0-10V or 1-10V. -

J4C 20/85 BSR emergency fail safe kit system by battery