



J & J Electric Actuator with Brass Ball Valve BSP Threaded

- Size Range 1/4" - 2"
- Full Flow
- Brass Body with PTFE Seals
- J & J Electric Actuator-Voltage Options
- WRAS Approval on Valve 1/4"-2"
- IP65 Enclosure

Description

A Brass ball valve that stands up to the most severe industrial applications including approvals for use with potable water (WRAS). Fitted to the J & J range of Electric Actuators, which are powerful yet lightweight. The actuator offers a compact design, IP65 protection, with quality electrical components. This modular unit is built and tested in house. The valve is brass nickel plated, full bore and direct mount. PN40 rated and screwed BSPP female ends, with PTFE seats.

Pressure rating:
1/4"-2" PN40

Working temperature:
1/2" - 2" -20°C to 95°C

Options include choices of supply voltage, fail safe battery back up and modulating control. Use our product selector tool to obtain the perfect valve for your application.



Description

Valves Online offer a brass threaded, bodied ball valve (PN40), fitted complete with a J & J electric actuator, sized to offer both power and repeatability. As an automatic valve, it gives remote On/Off operation. The unit is lightweight and powerful offering repeatability and cost efficiency.



Beschreibung

Valves Online bietet einen Kugelhahn mit Messinggewinde und Gehäuse (PN40) an, der komplett mit einem elektrischen Stellantrieb von J & J ausgestattet ist und so dimensioniert ist, dass er sowohl Leistung als auch Wiederholbarkeit bietet. Als automatisches Ventil bietet es ferngesteuerten Ein-/Aus-Betrieb. Das Gerät ist leicht und leistungsstark und bietet Wiederholbarkeit und Kosteneffizienz.



Descripción

Valves Online ofrece una válvula de bola con cuerpo roscado de latón (PN40), equipada con un actuador eléctrico J & J, dimensionada para ofrecer tanto potencia como repetibilidad. Como válvula automática, proporciona una operación remota de encendido/apagado. La unidad es liviana y potente y ofrece repetibilidad y rentabilidad.

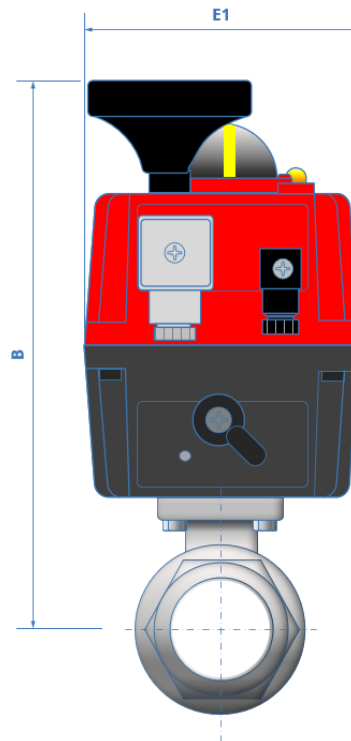
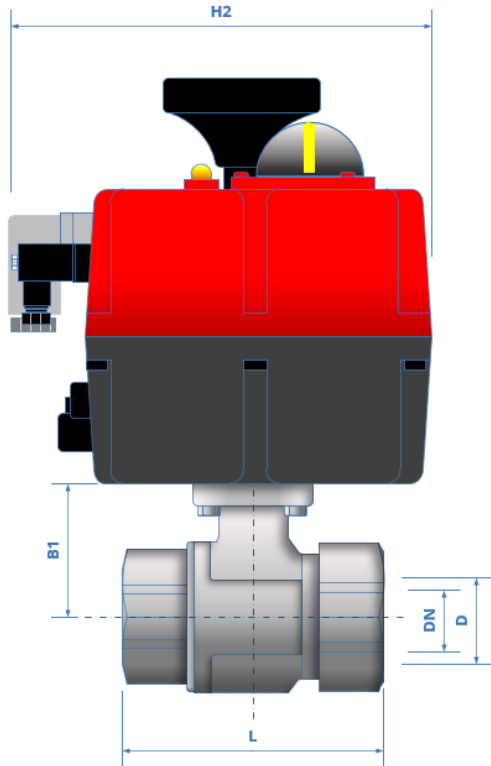


Description

Valves Online propose une vanne à boisseau sphérique fileté en laiton (PN40), équipée d'un actionneur électrique J & J, dimensionnée pour offrir à la fois puissance et répétabilité. En tant que vanne automatique, elle permet un fonctionnement marche/arrêt à distance. L'unité est légère et puissante, offrant répétabilité et rentabilité.



EA5570



J & J J4C Electric Actuator on Brass Ball Valve

- WRAS Approved Brass Ball Valve
- PTFE Seats
- Full Bore, BSP End Connections
- Reliable On/Off Electric Actuator
- IP67 weatherproof
- Manual override
- Anti-condensation heater
- Four limit switches
- Lightweight and Robust
- 12-24 VAC/DC & 110/240 VAC
- **Options** for Modulating Actuator
- **Options** for Fail Safe Close

Dimensions - BSP THREADED ENDS

d	DN	PN	Act.	L	H2	E1	B	B1	Kg
1/2"	15	16	J4 20	59	181	110	200	31	2.1
3/4"	20	16	J4 20	69	181	110	206	37	2.2
1"	25	16	J4 20	83	181	110	210	41	2.5
1 1/4"	32	16	J4 20	94	181	110	215.5	46.5	2.9
1 1/2"	40	16	J4 35	102	181	110	227	58	3.3
2"	50	16	J4 35	124	181	110	234.5	65.5	4.1

Screwed BSPP, ISO 5211 Connection for Direct Mount. Non Maintainable.
 Pressure PN40
 Temperature - 20°C to 95°C

Ball Valve

Size	N/m	Flow Rate Kv
1/2"	4.2	16.3
3/4"	4.8	29.5
1"	5.5	43
1 1/4"	11.5	89
1 1/2"	18	230
2"	22	265

Specification

Material	
Body	Brass CW 617N
Ball	Brass CW 617N
Seats	PTFE
Stem	Brass CW 614N
O-Rings	Viton

Series BV5070



Manufacturer RIV (Italy)

All information is sourced from our manufacturer's data and is intended for guidance only - Valves Online can accept no liability for changes, omissions or errors.



J & J J4C Electric Actuator

- Polyamide Actuator
- Reliable On/Off Electric Actuator
- IP66 weatherproof
- Manual override, Optical Position Indicator
- Anti-condensation heater
- Adjustable limit switches
- Lightweight and Robust
- 12-24 VAC/DC & 110/240 VAC
- **Options** for Modulating Actuator
- **Options** for Fail Safe Close

Serial/Series Number -J3C-020/J3C-035

The J4C electric rotary actuator is a compact and powerful unit, designed for on/off duty, which provides a long service life. Materials and components have been chosen for maintenance free operation. The modular design offers many additional features such as brushless motor, limit switches, heaters, optical indicator and manual override, all housed in a Anti-Corrosive Polyamide enclosure.

Full actuator details can be found on SKU AP9019 & AP9020 on the valves online website.

Standard Specification

Enclosure	:	Weatherproof IP67
Power Supply	:	110/220v 50/60Hz, 24 VAC/DC
Duty Rating	:	75%
Motor	:	Reversible Motor
Limit Switches	:	4 x SPDT NO Micro (2 x stop)
Space Heater	:	3.5W
Manual Override	:	Yes
Large Plug	:	EN175301-803 Form A
Small Plug	:	Din 43560/C
Travel Angle	:	0° - 270°
Ambient Temperature	:	minus 20°C to plus 70°C
Housing	:	Anti-Corrosive Polyamide

Standard Specification

Type (model)	Max Output Torque	Operating Time 50/60Hz	Motor Class B	Rated Current (A)				Weight
				24V	110V	220V	24VDC	
J4 20	20NM	9 Secs	W F	1.12	0.27	0.15	0.9	1.8
J4 35	35NM	9 Secs		1.58	0.36	0.19	1.28	1.9

- Output torques of 20 / 35Nm
- Reversible motor with low current consumption
- IP67 weatherproof
- Two Plug Connectors cable entries
- Manual override
- Anti-condensation heater
- Four limit switches
- Terminal strip

The modular design offers many additional features to be added to the basic device such as extra limit switches, potentiometers and emergency power.

With the control actuator version the input signals (eg. 4-20 mA, 0-20 mA, 0-10 V) as well as the output signals can be programmed.

Heating resistor and torque limiter are in standard, the housing is made of flame resistant material classified according to UL 94 V0

Wiring Diagrams and Installation Details on Data Sheets

All information is sourced from our manufacturer's data and is intended for guidance only - Valves Online can accept no liability for changes, omissions or errors.