

EA5563

Valves[®] O N L I N E



J & J Electric Actuated ABS Double Union Ball Valve. Type Durapipe VKD

- Size Range 3/8" - 2", D15-D63
- ABS Body, Full Flow
- EPDM or FKM Seals
- Fitted to J & J Electric Actuator
- Isolating of Flow, with Modulating Option
- Imperial and Metric Connections
- Suitable for Aggressive Media

> Description

The VKD DualBlock® ball valve is a fully unionised valve that stands up to the most severe industrial applications and probably one of the most technically advanced on the market. Fitted to the J & J range of Electric Actuators, which are all built and tested in house.

EPDM and FPM seals are offered as options, as are the choice of end connections.

Pressure rating: Maximum working pressure: 16 bar at 20°C. Options include choices of supply voltage and the option of fail safe battery back up and modulating control. Use our product selector tool to obtain the perfect valve for your application.

 Durapipe

> Additions

Pilot Solenoids and Switchbox



Description

Durapipe (FIP) offers a ABS plastic bodied ball valve (Type VKD). The valve is fitted complete with a J & J electric actuator, sized to offer both power and repeatability. As an automatic valve, it gives remote On/Off operation. The unit is lightweight and has options for both seal material and end connections, with metric and imperial solvent weld ends.

Beschreibung

Durapipe (FIP) bietet einen Kugelhahn mit ABS-Kunststoffgehäuse (Typ VKD) an. Das Ventil ist komplett mit einem elektrischen Stellantrieb von J & J ausgestattet, der so dimensioniert ist, dass er sowohl Leistung als auch Wiederholbarkeit bietet. Als automatisches Ventil bietet es ferngesteuerten Ein-/Aus-Betrieb. Die Einheit ist leicht und bietet Optionen für Dichtungsmaterial und Endanschlüsse mit metrischen und imperialen Quellschweißenden.

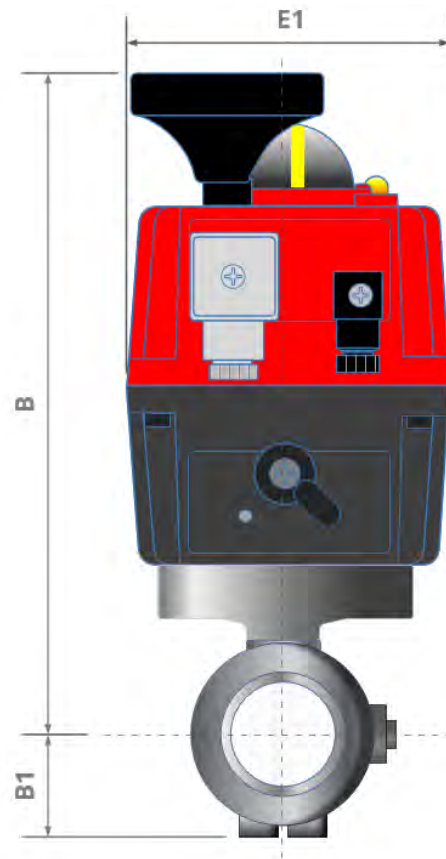
Descripción

Durapipe (FIP) ofrece una válvula de bola con cuerpo de plástico ABS (Tipo VKD). La válvula está equipada con un actuador eléctrico J & J, dimensionado para ofrecer tanto potencia como repetibilidad. Como válvula automática, proporciona una operación remota de encendido/apagado. La unidad es liviana y tiene opciones tanto para el material del sello como para las conexiones finales, con extremos soldados con solvente en unidades métricas e imperiales.

Description

Durapipe (FIP) propose une vanne à boisseau sphérique en plastique ABS (Type VKD). La vanne est équipée d'un actionneur électrique J & J, dimensionné pour offrir à la fois puissance et répétabilité. En tant que vanne automatique, elle permet un fonctionnement marche/arrêt à distance. L'unité est légère et dispose d'options pour le matériau d'étanchéité et les connexions d'extrémité, avec des extrémités à souder au solvant métriques et impériales.

All information is sourced from our manufacturer's data and is intended for guidance only - Valves Online can accept no liability for changes, omissions or errors.



> J & J 4C Electric Actuator
on VKD Ball Valve

Serial/Series Number VKDFLV-AP9019/AP9020

J & J 4C - BS IMPERIAL SOCKET ENDS

d	DN	PN	Act.	H	E	H ₁	H ₂	L	Z	B	B ₁	B ₂	E ₁
1/2"	15	16	J4 20	103	54	65	181	16.5	70	227	29	58	110
3/4"	20	16	J4 20	115	65	70	181	19	77	242.5	34.5	69	110
1"	25	16	J4 20	128	73	78	181	22.5	83	243	39	74	110
1 1/4"	32	16	J4 20	146	86	88	181	26	94	266	46	91	110
1 1/2"	40	16	J4 20	164	98	91	181	30	104	273	52	97	110
2"	50	16	J4 35	199	122	111	181	36	127	283	62	114	110

Serial/Series Number VKDFIV-AP9019/AP9020

J & J 4C - METRIC SOCKET ENDS

d	DN	PN	Act.	H	E	H ₁	H ₂	L	Z	B	B ₁	B ₂	E ₁
16	10	16	J4 20	103	54	65	181	14	75	227	29	58	110
20	15	16	J4 20	103	54	65	181	16	71	227	29	58	110
25	20	16	J4 20	115	65	70	181	19	77	242.5	34.5	73.5	110
32	25	16	J4 20	128	73	78	181	22	84	243	39	74	110
40	32	16	J4 20	146	86	88	181	26	94	266	46	97	110
50	40	16	J4 20	164	98	91	181	31	102	273	52	104	110
63	50	16	J4 35	199	122	111	181	38	123	283	62	114	110



J & J J4C Electric Actuator on VKD Ball Valve

- Polyamide Actuator
- Reliable On/Off Electric Actuator
- IP66 weatherproof
- Manual override, Optical Position Indicator
- Anti-condensation heater
- Adjustable limit switches
- Lightweight and Robust
- 12-24 VAC/DC & 110/240 VAC
- **Options** for Modulating Actuator
- **Options** for Fail Safe Close

Serial/Series Number VKDFV-AP9019/AP9020

The J4C electric rotary actuator is a compact and powerful unit, designed for on/off duty, which provides a long service life. Materials and components have been chosen for maintenance free operation. The modular design offers many additional features such as brushless motor, limit switches, heaters, optical indicator and manual override, all housed in a Anti-Corrosive Polyamide enclosure.

Full actuator details can be found on SKU AP9019 & AP9020 on the valves online website.

Standard Specification

Enclosure	:	Weatherproof IP67
Power Supply	:	110/220v 50/60Hz, 24 VAC/DC
Duty Rating	:	75%
Motor	:	Reversible Motor
Limit Switches	:	4 x SPDT NO Micro (2 x stop)
Space Heater	:	3.5W
Manual Override	:	Yes
Large Plug	:	EN175301-803 Form A
Small Plug	:	Din 43560/C
Travel Angle	:	0° - 270°
Ambient Temperature	:	minus 20°C to plus 70°C
Housing	:	Anti-Corrosive Polyamide

Standard Specification

Type (model)	Max Output Torque	Operating Time 50/60Hz	Motor Class B	Rated Current (A)				Weight
				24V	110V	220V	24VDC	
J4 20	20NM	9 Secs	W F	1.12	0.27	0.15	0.9	1.8
J4 35	35NM	9 Secs		1.58	0.36	0.19	1.28	1.9

- Output torques of 20 / 35Nm
- Reversible motor with low current consumption
- IP67 weatherproof
- Two Plug Connectors cable entries
- Manual override
- Anti-condensation heater
- Four limit switches
- Terminal strip

The modular design offers many additional features to be added to the basic device such as extra limit switches, potentiometers and emergency power.

With the control actuator version the input signals (eg. 4-20 mA, 0-20 mA, 0-10 V) as well as the output signals can be programmed.

Heating resistor and torque limiter are in standard, the housing is made of flame resistant material classified according to UL 94 V0



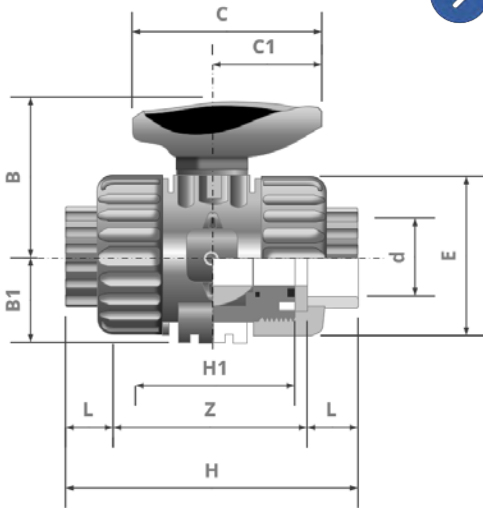
Serial/Series Number VKDLV-BS Imperial Socket

A PVC-U plastic bodied ball valve. Offered as either a manual isolating valve and easily adapted to operate with actuators, this valve has options for both seal material. Sizes range from 1/2" - 2" BS Imperial Socket.

SKU-BV5521

Dimensions - BS 5392 Female Solvent Ends

d	DN	PN	L	Z	H	H1	E	B	B1	C	C1	N/m
1/2"	15	16	16.5	70	103	65	54	54	29	67	40	3
3/4"	20	16	19	77	115	70	65	65	34.5	85	49	4
1"	25	16	22.5	83	128	78	73	69.5	39	85	49	6
1 1/4"	32	16	26	94	146	88	86	82.5	46	108	64	7
1 1/2"	40	16	30	104	164	91	98	89	52	108	64	10
2"	50	16	36	127	199	111	122	108	62	134	76	16



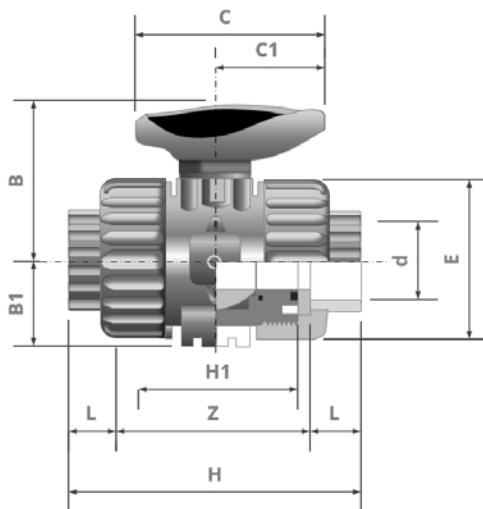
Serial/Series Number VKDIV-Metric Socket

A PVC-U plastic bodied ball valve. Offered as either a manual isolating valve and easily adapted to operate with actuators, this valve has options for both seal material. Sizes range from 16mm - 63mm Metric Socket.

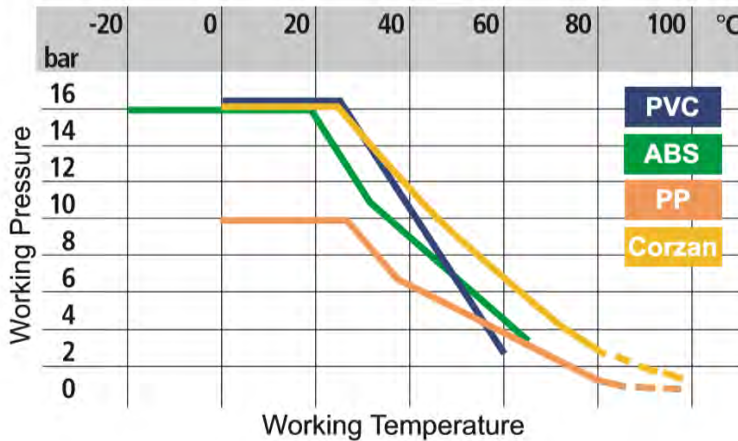
SKU-BV5522

Dimensions - Female Metric Ends

d	DN	PN	L	Z	H	H1	E	B	B1	C	C1	N/m
16	10	16	14	75	103	65	54	54	29	67	40	3
20	15	16	16	71	103	65	54	54	29	67	40	4
25	20	16	19	77	115	70	65	65	34.5	85	49	6
32	25	16	22	84	128	78	73	69.5	39	85	49	7
40	32	16	26	94	146	88	86	82.5	46	108	64	9
50	40	16	31	102	164	91	98	89	52	108	64	10
63	50	16	38	123	199	111	122	108	62	134	76	16



➤ Dimensions and Standards



Pressure/temperature rating for water and harmless fluids to which the material is RESISTANT. In other cases a reduction of the PN is required. (25 years with safety factor).

DN	10	15	20	25	32	40	50
k_{v100}	80	200	385	770	1100	1750	3400

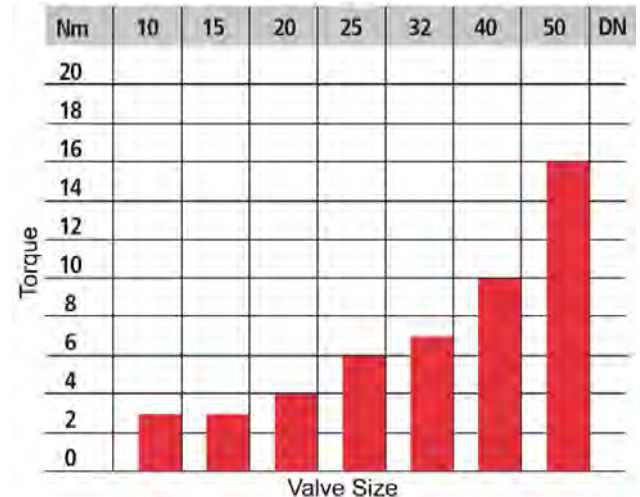
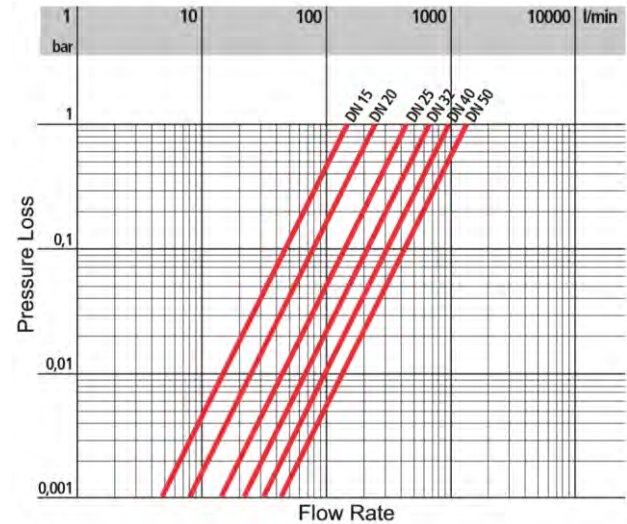
Flow coefficient k_{v100}

k_{v100} is the number of litres per minute of water at a temperature of 20°C that will flow through a valve with a one bar pressure differential at a specified rate. The k_{v100} values shown in the table are calculated with the valve fully open.

Imperial The Imperial System is manufactured in accordance with the relevant British Standards: BS 5392 fittings.

Metric The Metric System is manufactured generally in accordance with the relevant International Standards: ISO 15493, KIWA 49 and 549, DIN 8062 and 8063.

BSP Thread Threaded fittings conform to the requirements of BS 21/DIN 2999/ISO7. Socket dimensions of metric fittings for solvent welding comply with ISO/DIS 727-1. Interchangeability Components in the imperial and metric ranges are not interchangeable

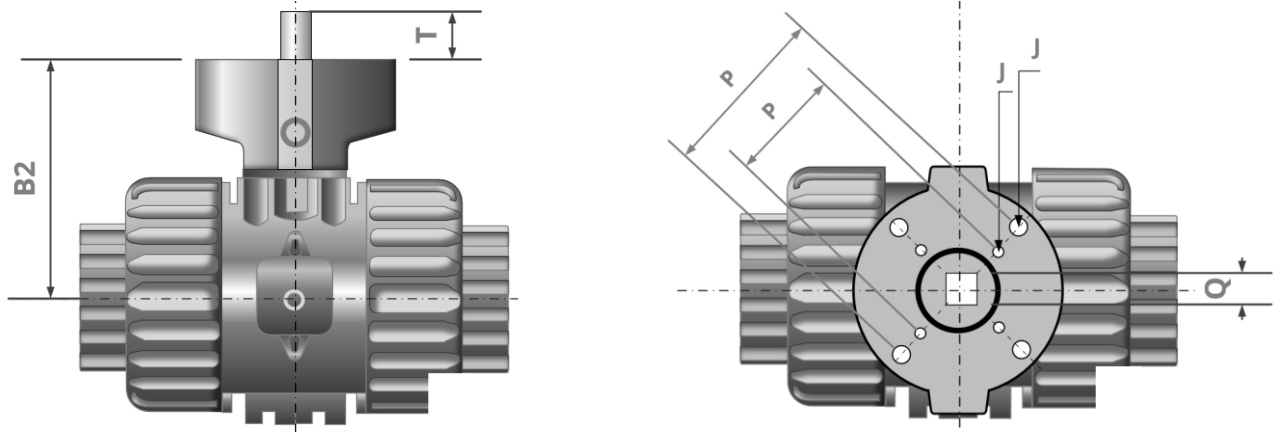


DN (nominal bore)	Metric Size (mm)	Imperial Size (inch)
10	16	3/8"
15	20	1/2"
20	25	3/4"
25	32	1"
32	40	1 1/4"
40	50	1 1/2"
50	63	2"
65	75	2 1/2"
80	90	3"
100	110	4"
125	140	5"
150	160	6"
200	225	8"
250	250	10"
300	315	12"

All information is sourced from our manufacturer's data and is intended for guidance only - Valves Online can accept no liability for changes, omissions or errors.

> Accessories

Mounting Bracket



The valve can be supplied actuated, pneumatic or electric, by our Actuation Department. The GR-PP mounting bracket (with standard ISO 5211 drillings) can be supplied for self-actuation and/or retrofitting of actuators to installed valves

d	DN	B2	Q	T	P x J	P x J	Product Code
1/2" - 20	15	58	11	12	F03 x 5.5	F04 x 5.5	KTPQPEF
3/4" - 25	20	69	11	12	F03 x 5.5	F05 x 6.5	KTPQPGG
3/4" - 25	20	69	11	12		F04 x 5.5	KTPQPG4
1" - 32	25	74	11	12	F03 x 5.5	F05 x 6.5	KTPQPHH
1" - 32	25	74	11	12		F04 x 5.5	KTPQPH4
1 1/4" - 40	32	91	14	16	F05 x 6.5	F07 x 7.5	KTPQPII
1 1/2" - 50	40	97	14	16	F05 x 6.5	F07 x 7.5	KTPQPJJ
2" - 63	50	114	14	16	F05 x 6.5	F07 x 7.5	KTPQPLL

pneumatic



Electric Options



All information is sourced from our manufacturer's data and is intended for guidance only - Valves Online can accept no liability for changes, omissions or errors.

