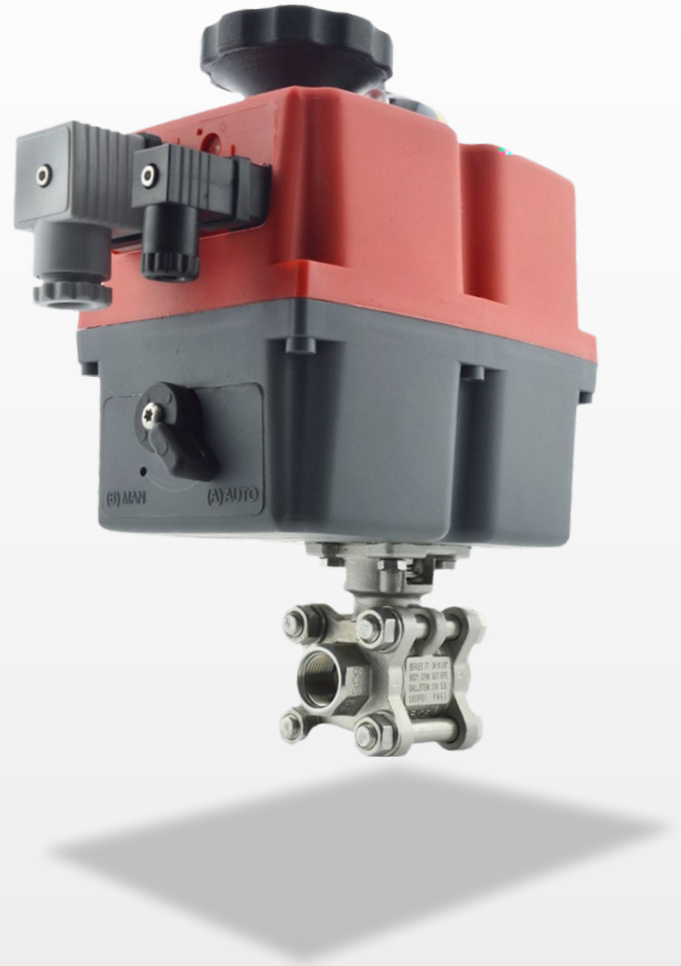


J+J ELECTRIC ACTUATED

MARS SERIES 77 BALL VALVE

Key features:

- 3-piece stainless steel body
- Full-bore ball valve
- Screwed BSP, NPT, socket weld or butt weld end connections
- Reinforced PTFE seat
- Sizes available: ¼" to 4"
- Powerful J4C electric actuator
- Multi-voltage actuator: 24 - 240 VDC / VAC
- On/Off operation as standard with failsafe backup available on request



DETAILS

The electric actuated Mars Ball Valve Series 77 is a general purpose, reliable ball valve is fitted with a J4C electric actuator.

The ball valve has a 3-piece stainless steel body with screwed BSP, NPT, socket weld or butt weld end connections and reinforced PTFE seats.

The actuator is a J+J 4C which is a powerful yet lightweight unit providing a cost effective solution for automated 'shut-off' of medium flows.

The actuator has options for various voltages, it is supplied with anti-condensation heaters, limit and feedback switches,

manual override and position indication all fitted as standard and is housed in a IP67 weatherproof enclosure.

The actuator is supplied for On/Off operation as standard with failsafe backup available on request

Full technical information for the component parts making up these actuated valves can be found in the relevant datasheet as listed in Table 6.

Call 01822 855600 to discuss your project or application further with a member of our technical team or contact us via our online form.

J+J ELECTRIC ACTUATED

MARS SERIES 77 BALL VALVE

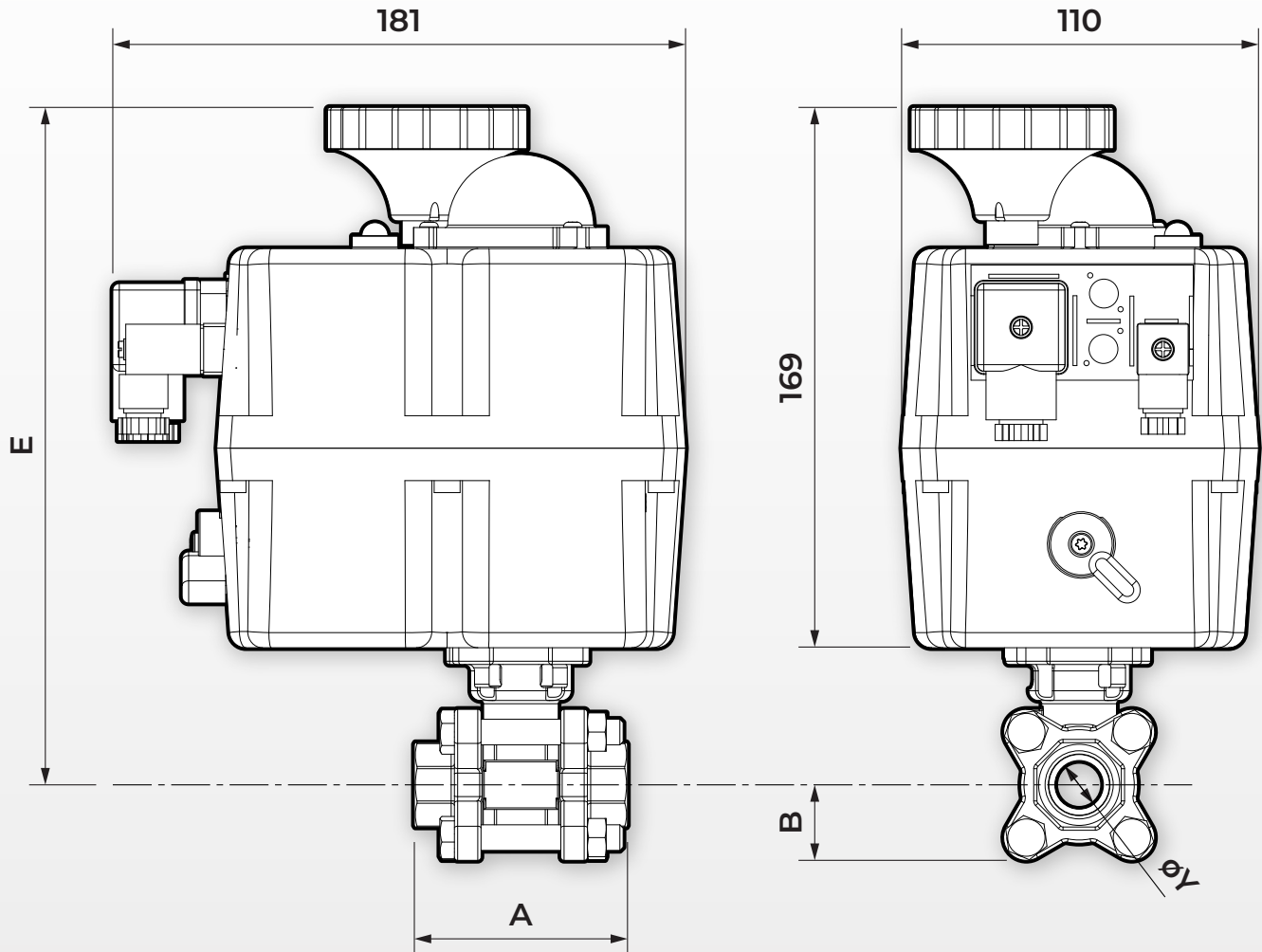


TABLE 1: DIMENSIONS IN MM

1/4 " TO 1 1/2 " BALL VALVES ▪ J4C S20 AND J4C S35 ACTUATORS

Size	Actuator	A	B	E	ØY	Weight
1/4 "	J4C-20	63.7	23.3	211.1	11.6	2.43 kg
3/8 "	J4C-20	63.7	23.3	211.1	12.7	2.43 kg
1/2 "	J4C-20	65.7	23.3	211.1	15.0	2.43 kg
3/4 "	J4C-20	76.2	25.4	217.0	20.0	2.62 kg
1"	J4C-20	86.2	28.3	225.6	25.0	3.05 kg
1 1/4 "	J4C-35	102.8	34.5	229.9	32.0	3.84 kg
1 1/2 "	J4C-35	119.4	39.3	246.5	38.0	5.05 kg
2"	J4C-55	131.4	47.3	281.2	50.0	6.96 kg
2 1/2 "	J4C-85	164.0	58.5	304.7	65.0	12.01 kg
3"	J4C-140	182.7	69.0	371.7	80.0	17.50 kg
4"	J4C-140	235.6	95.4	386.6	100.0	26.74 kg

J+J ELECTRIC ACTUATED

MARS SERIES 77 BALL VALVE

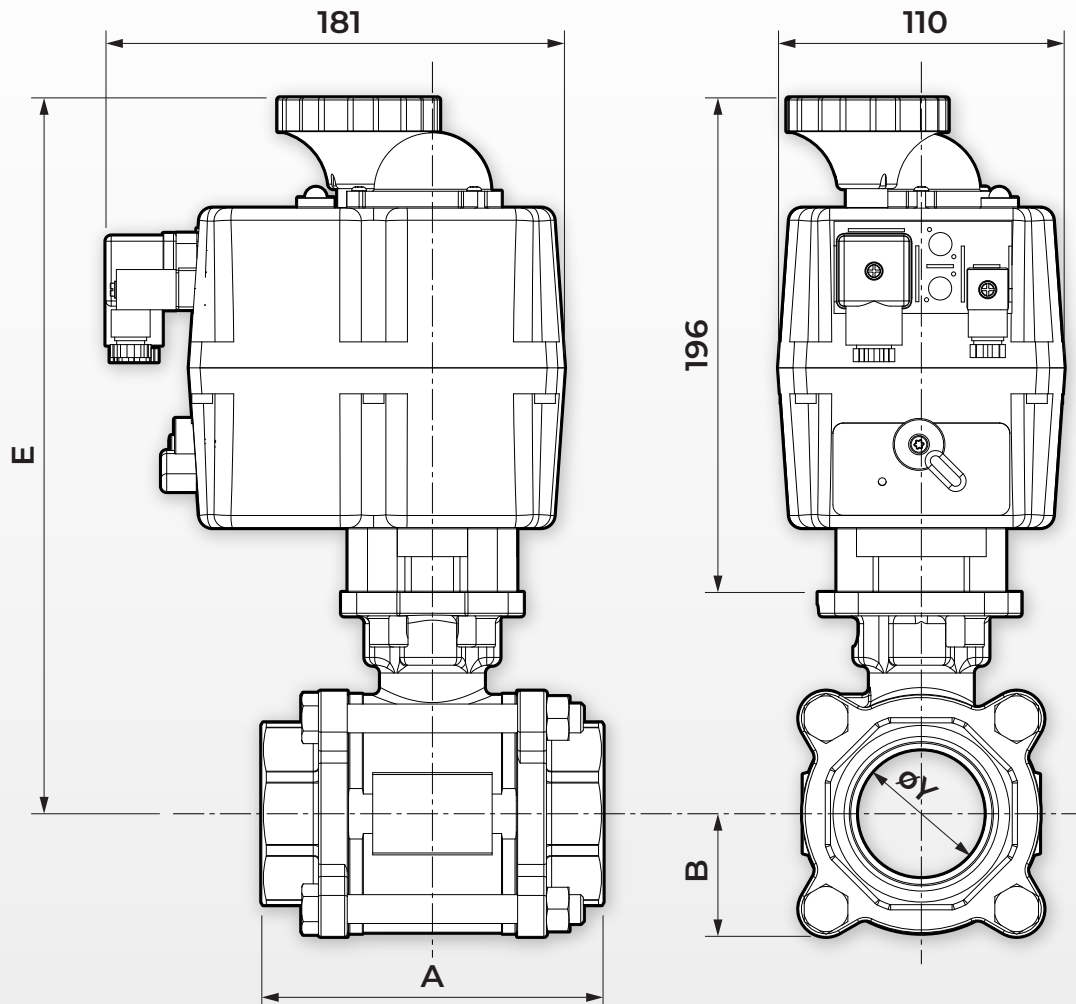


TABLE 2: DIMENSIONS IN MM
2" BALL VALVE - J4C S55 ACTUATOR

Size	Actuator	A	B	E	ØY	Weight
¼"	J4C-20	63.7	23.3	211.1	11.6	2.43 kg
3/8"	J4C-20	63.7	23.3	211.1	12.7	2.43 kg
½"	J4C-20	65.7	23.3	211.1	15.0	2.43 kg
¾"	J4C-20	76.2	25.4	217.0	20.0	2.62 kg
1"	J4C-20	86.2	28.3	225.6	25.0	3.05 kg
1¼"	J4C-35	102.8	34.5	229.9	32.0	3.84 kg
1½"	J4C-35	119.4	39.3	246.5	38.0	5.05 kg
2"	J4C-55	131.4	47.3	281.2	50.0	6.96 kg
2½"	J4C-85	164.0	58.5	304.7	65.0	12.01 kg
3"	J4C-140	182.7	69.0	371.7	80.0	17.50 kg
4"	J4C-140	235.6	95.4	386.6	100.0	26.74 kg

J+J ELECTRIC ACTUATED

MARS SERIES 77 BALL VALVE

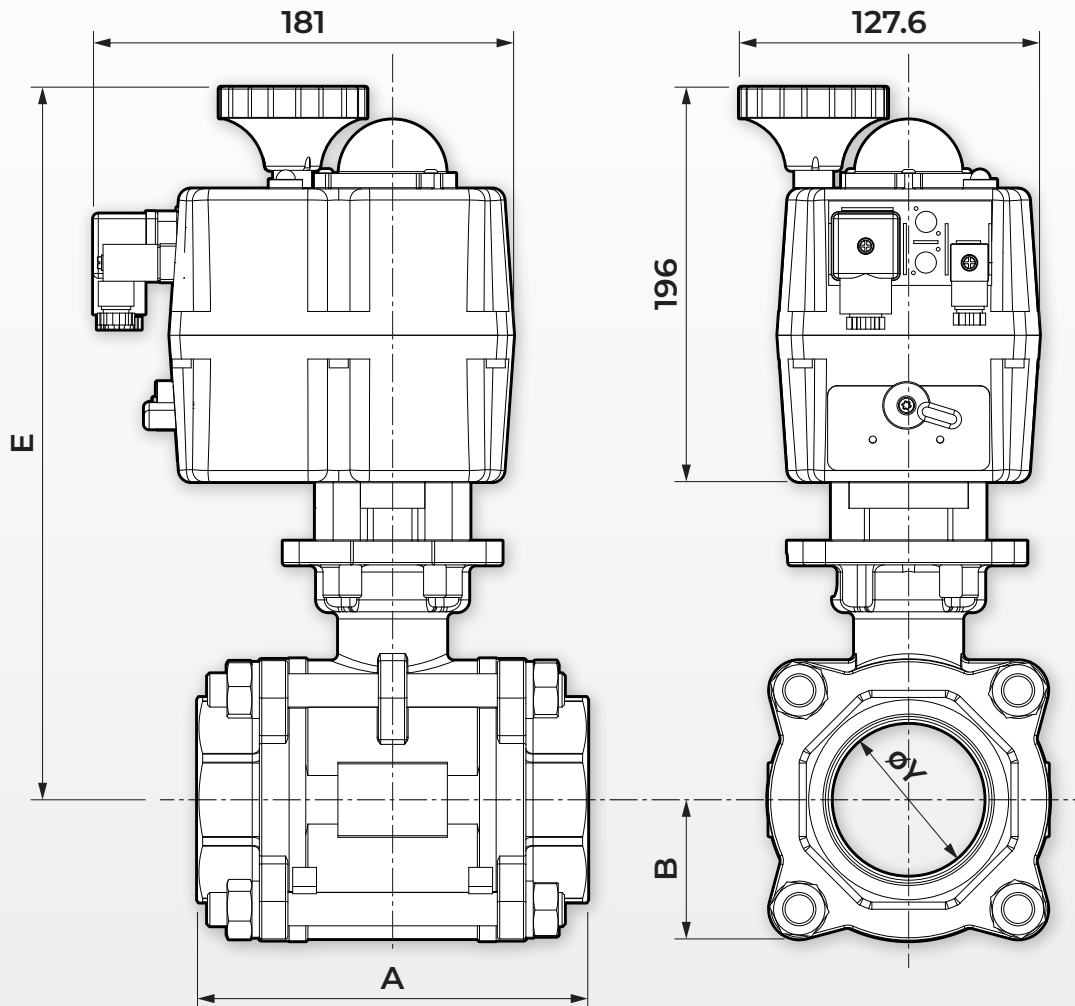


TABLE 3: DIMENSIONS IN MM
2½ " BALL VALVE ▪ J4C S85 ACTUATOR

Size	Actuator	A	B	E	ØY	Weight
¼ "	J4C-20	63.7	23.3	211.1	11.6	2.43 kg
3/8 "	J4C-20	63.7	23.3	211.1	12.7	2.43 kg
½ "	J4C-20	65.7	23.3	211.1	15.0	2.43 kg
¾ "	J4C-20	76.2	25.4	217.0	20.0	2.62 kg
1"	J4C-20	86.2	28.3	225.6	25.0	3.05 kg
1¼ "	J4C-35	102.8	34.5	229.9	32.0	3.84 kg
1½ "	J4C-35	119.4	39.3	246.5	38.0	5.05 kg
2"	J4C-55	131.4	47.3	281.2	50.0	6.96 kg
2½ "	J4C-85	164.0	58.5	304.7	65.0	12.01 kg
3"	J4C-140	182.7	69.0	371.7	80.0	17.50 kg
4"	J4C-140	235.6	95.4	386.6	100.0	26.74 kg

J+J ELECTRIC ACTUATED

MARS SERIES 77 BALL VALVE

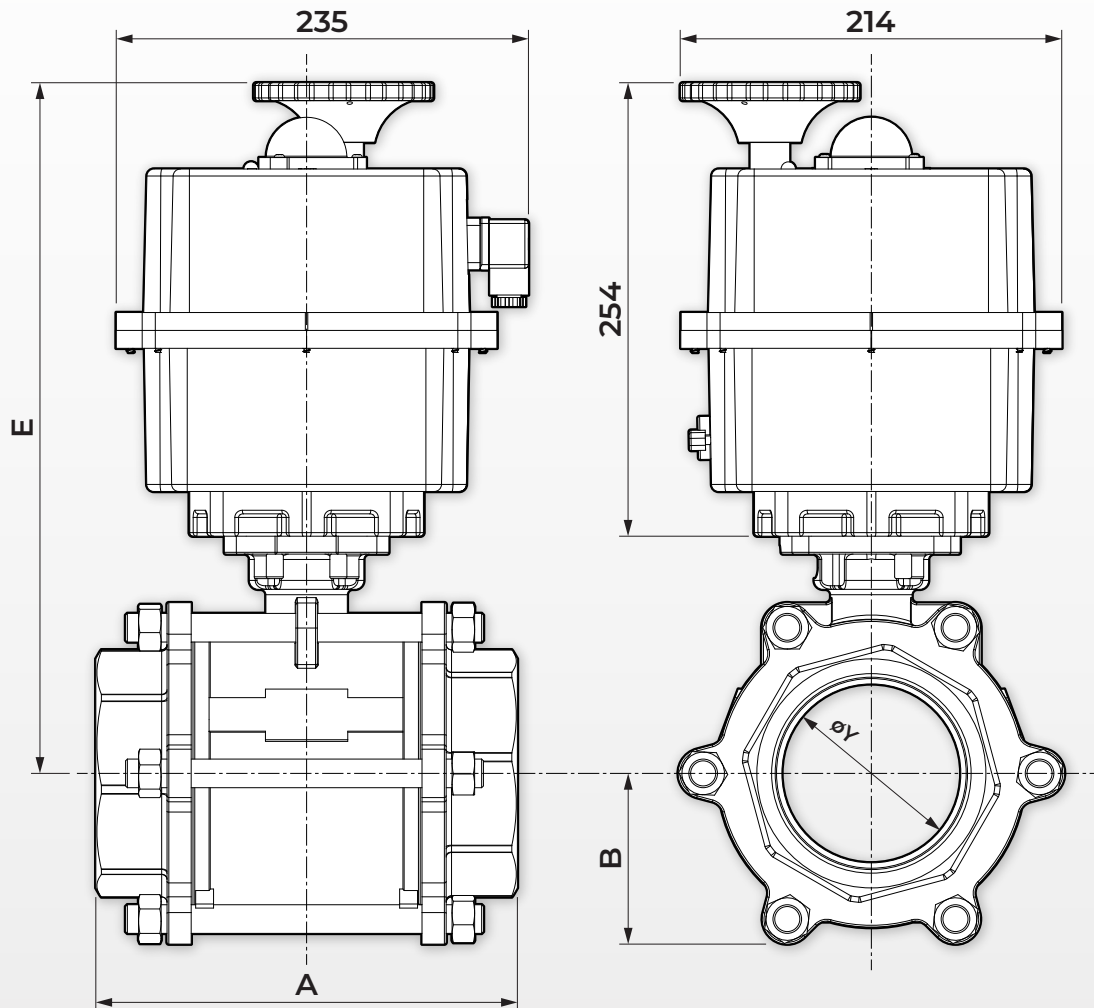


TABLE 4: DIMENSIONS IN MM
3" AND 4" BALL VALVES ▪ J4C S140 ACTUATORS

Size	Actuator	A	B	E	ØY	Weight
¼"	J4C-20	63.7	23.3	211.1	11.6	2.43 kg
⅜"	J4C-20	63.7	23.3	211.1	12.7	2.43 kg
½"	J4C-20	65.7	23.3	211.1	15.0	2.43 kg
¾"	J4C-20	76.2	25.4	217.0	20.0	2.62 kg
1"	J4C-20	86.2	28.3	225.6	25.0	3.05 kg
1¼"	J4C-35	102.8	34.5	229.9	32.0	3.84 kg
1½"	J4C-35	119.4	39.3	246.5	38.0	5.05 kg
2"	J4C-55	131.4	47.3	281.2	50.0	6.96 kg
2½"	J4C-85	164.0	58.5	304.7	65.0	12.01 kg
3"	J4C-140	182.7	69.0	371.7	80.0	17.50 kg
4"	J4C-140	235.6	95.4	386.6	100.0	26.74 kg

J+J ELECTRIC ACTUATED

MARS SERIES 77 BALL VALVE

TABLE 5: PART NUMBERS
ACTUATED VALVES

Size	Screwed BSP End Connections	Screwed NPT End Connections	Socket Weld End Connections	Butt Weld End Connections
¼"	EA5112-120700	EA5112-120711	EA5112-120722	EA5112-120733
3/8"	EA5112-120701	EA5112-120712	EA5112-120723	EA5112-120734
½"	EA5112-120702	EA5112-120713	EA5112-120724	EA5112-120735
¾"	EA5112-120703	EA5112-120714	EA5112-120725	EA5112-120736
1"	EA5112-120704	EA5112-120715	EA5112-120726	EA5112-120737
1 ¼"	EA5112-120705	EA5112-120716	EA5112-120727	EA5112-120738
1 ½"	EA5112-120706	EA5112-120717	EA5112-120728	EA5112-120739
2"	EA5112-120707	EA5112-120718	EA5112-120729	EA5112-120740
2 ½"	EA5112-120708	EA5112-120719	EA5112-120730	EA5112-120741
3"	EA5112-120709	EA5112-120720	EA5112-120731	EA5112-120742
4"	EA5112-120710	EA5112-120721	EA5112-120732	EA5112-120743

TABLE 6: PART NUMBERS
COMPONENT PARTS

Size	Screwed BS Ball Valve	Screwed NPT Ball Valve	Socket Weld Ball Valve	Butt Weld Ball Valve	Actuator
¼"	BV5112-120700	BV5112-120733	BV5112-120711	BV5112-120722	AP9019-999310
3/8"	BV5112-120701	BV5112-120734	BV5112-120712	BV5112-120723	AP9019-999310
½"	BV5112-120702	BV5112-120735	BV5112-120713	BV5112-120724	AP9019-999310
¾"	BV5112-120703	BV5112-120736	BV5112-120714	BV5112-120725	AP9019-999310
1"	BV5112-120704	BV5112-120737	BV5112-120715	BV5112-120726	AP9019-999310
1 ¼"	BV5112-120705	BV5112-120738	BV5112-120716	BV5112-120727	AP9020-999314
1 ½"	BV5112-120706	BV5112-120739	BV5112-120717	BV5112-120728	AP9020-999314
2"	BV5112-120707	BV5112-120740	BV5112-120718	BV5112-120729	AP9021-999318
2 ½"	BV5112-120708	BV5112-120741	BV5112-120719	BV5112-120730	AP9022-999322
3"	BV5112-120709	BV5112-120742	BV5112-120720	BV5112-120731	AP9023-999326
4"	BV5112-120710	BV5112-120743	BV5112-120721	BV5112-120732	AP9023-999326