



Electric Actuated Wafer Butterfly Valve – WRAS Approved

- Wafer Pattern – Fits Between Flanges
- Stainless Disc, EPDM Liner
- WRAS Approved Valve
- Weatherproof Actuator IP67 Protected
- Sizes 2" - 12"
- Powerful Electric Actuator
- Options for Voltages

DESCRIPTION

A WRAS Approved resilient seated wafer butterfly valve fitted with a powerful electric actuator for open and closed duty. The valve is suitable to fit between various flanges and rated PN16 up to 16". The valve is epoxy coated ductile iron and has locating lugs for ease of mounting, 316 stainless steel disc and EPDM WRAS approved liner. The electric actuator has options for various voltages, in addition it is supplied with anti-condensation heaters, limit and feedback switches, manual handwheel override and position indicator all housed in an epoxy coated IP67 weatherproof enclosure.

Technical Information

Complies with 97/23/CE (PED) Directive CE 1115
WRAS Approval
Temperature - 10°C – 120°C
Pressure Rating PN16
Sizes from 2" - 16"
Fits PN6, PN10, PN16, ANSI 150, Table D, Table E Flanges.
Butterfly Valve Part No. BF4686
Actuator see details



Description

A combination of a WRAS Approved butterfly valve fitted to an electric actuator. Rated PN16, complying with 97/23/CE (PED) Directive CE1115. Easy to install and offers long and trouble free life.



Beschreibung

Eine Kombination einer WRAS-zugelassenen Absperrklappe, die an einem elektrischen Stellantrieb angebracht ist. Bewertet mit PN16 gemäß 97/23 / CE (PED) -Richtlinie CE1115. Einfach zu installieren und bietet eine lange und störungsfreie Lebensdauer.



Descripción

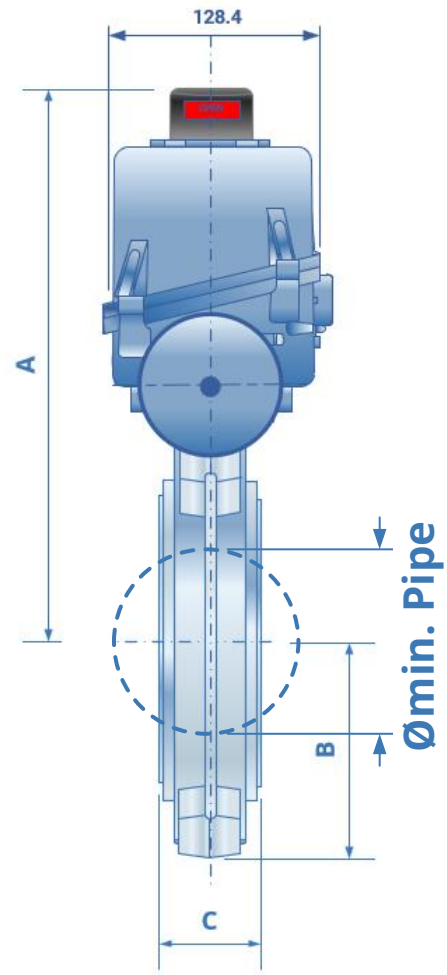
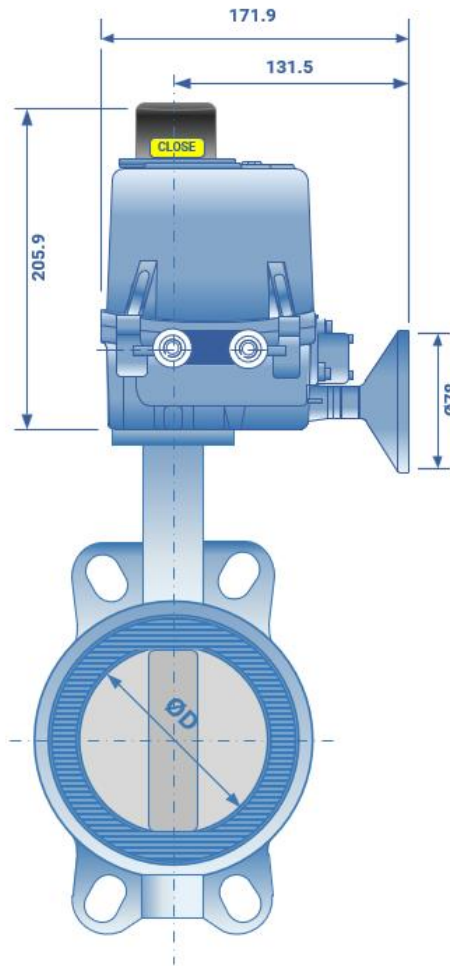
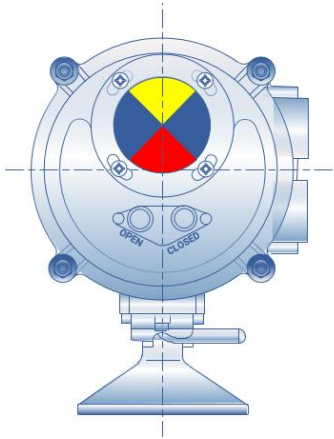
Una combinación de una válvula de mariposa aprobada por WRAS instalada en un actuador eléctrico. Clasificado PN16, cumpliendo con la Directiva 97/23 / CE (PED) CE1115. Fácil de instalar y ofrece una vida útil prolongada y sin problemas.



Description

Une combinaison d'une vanne papillon approuvée WRAS montée sur un actionneur électrique. Classé PN16, conforme à la directive 97/23 / CE (PED) CE1115. Facile à installer et offre une durée de vie longue et sans problème.

Sizes 2" - 3"



**WRAS Butterfly
Valve Part Number
BF4686**

Dimensions HQ005

Size	A	B	C	Ø min. pipe	Kg
2"	332	62	43	31	5.28
2 1/2"	342	69	46	45	6.05
3"	356	90	46	65	6.68

Dimensions shown are for guidance only

Material List

Body	Epoxy Coated Ductile Iron
Disc	Stainless Steel
Liner	EPDM
Shaft	Stainless Steel
Bushing	PTFE
Washer	Galvanized Carbon Steel
Circlip ISO 3075	Steel
O-Ring	Viton

Voltage

Size	24 VAC	24 VDC	110	230
2" - 8"	yes	yes	Yes	Yes
10"-12"	yes	yes	yes	yes

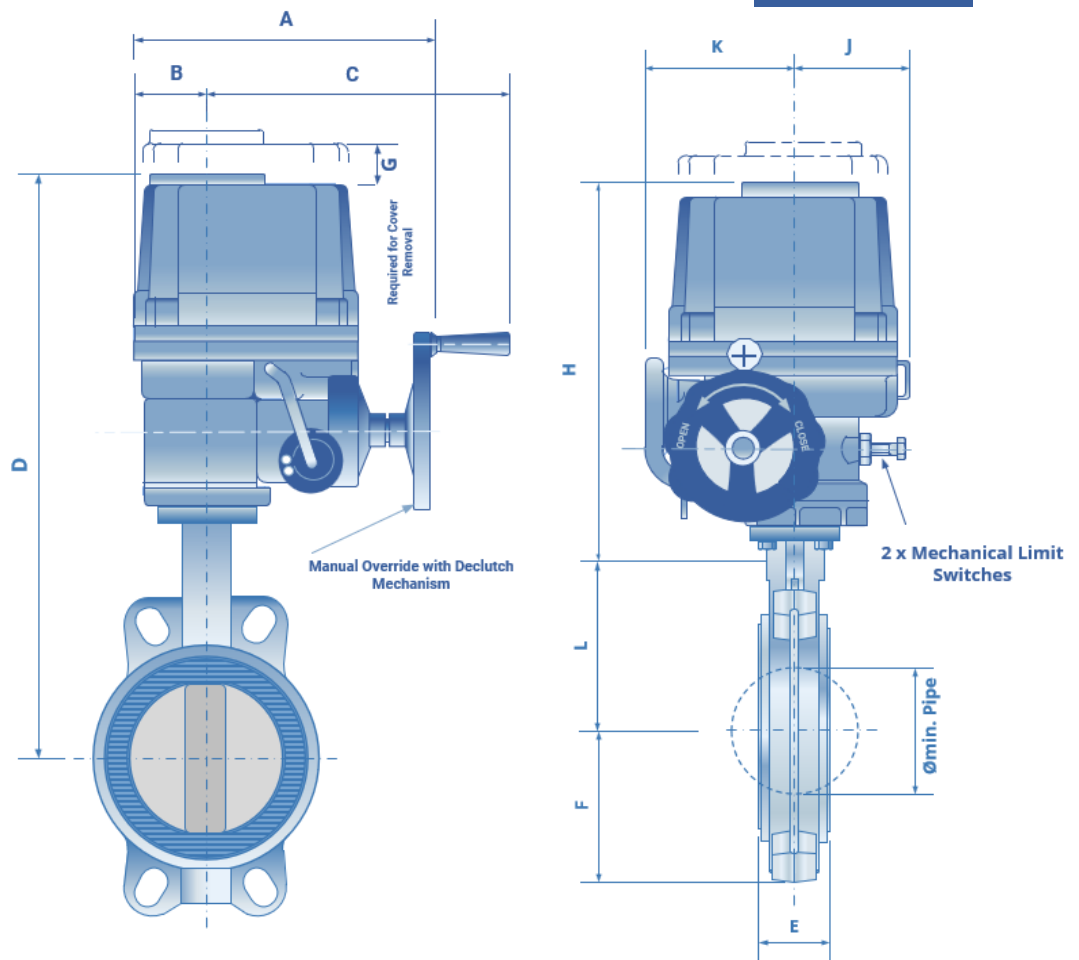
Pressure / Temperature Ratings

Temperature	-20°C to 120°C
Working Pressure	PN16 2" - 12"



All information is sourced from our manufacturer's data and is intended for guidance only - Valves Online can accept no liability for changes, omissions or errors.

Sizes 4" - 12"

**NOTE**

Please Add 60mm to the height on the 4" Unit – As Mounting Bracket Required

Dimensions HQ008-HQ050

Size	ACT.	A	B	C	Ø min. pipe	D	E	F	G	H	J	K	L	Kg
4"	HQ008	258	50	157	90	290	52	106	120	120	235	100	170	12.23
5"	HQ015	338	73	200	110	340	56	119	160	160	268	142	180	23.94
6"	HQ015	338	73	200	146	360	56	131	160	160	268	142	200	24.8
8"	HQ030	368	82	221	194	410	60	166	180	180	290	221	230	37.2
10"	HQ050	368	82	221	241	426	68	202	180	180	290	221	266	47.3
12"	HQ050	368	82	221	291	472	78	235	180	180	290	221	292	54.7

Material List

Body	Epoxy Coated Ductile Iron
Disc	Stainless Steel
Liner	EPDM
Shaft	Stainless Steel
Bushing	PTFE
Washer	Galvanized Carbon Steel
Circlip ISO 3075	Steel
O-Ring	Viton

Pressure / Temperature Ratings

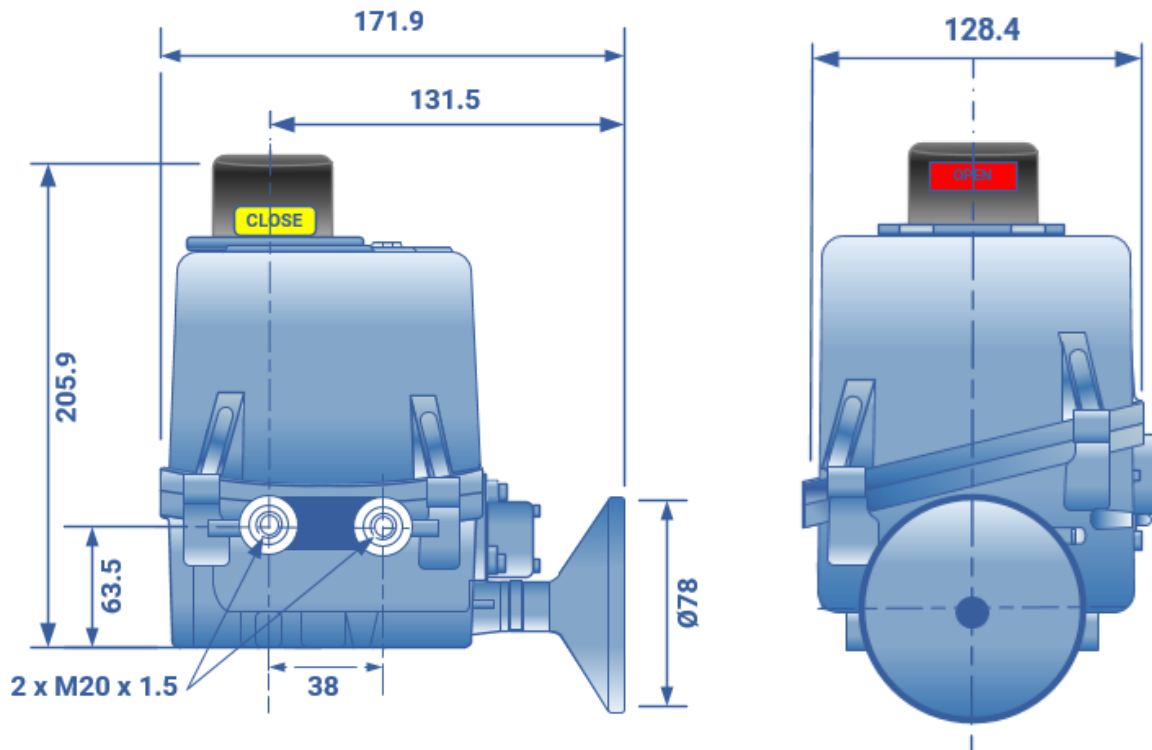
Temperature	-20°C to 120°C
Working Pressure	PN16 2" - 12"

Voltage

Size	24 VAC	24 VDC	110	230
2" - 8"	yes	yes	Yes	Yes
10"-12"	yes	yes	yes	yes

All information is sourced from our manufacturer's data and is intended for guidance only - Valves Online can accept no liability for changes, omissions or errors.

HQ005 Electric Actuator



Multi voltage design (Single phase & 24V). High corrosion resistance, anodized & painted housing 4 off Limit switches. Torque output: 50 Nm, low current, long-life actuator due to unique brushless DC motor ensuring high reliability. 2 off M20 cable entries. IP67 weatherproof enclosure. F03/F04/F05/F07 mounting base with 14mm Star drive. Captive cover bolts. Visual beacon indicator & LED lamps. 70% Duty Rating (on/off only). De clutchable manual override handwheel. Electronic torque limiter.

Standard Actuator Specification

Enclosure	:	Weatherproof IP67
Power Supply	:	85 - 265 VAC 1 ph, 50/60Hz / 24 VAC/DC
Operating Time	:	90° - 30 seconds
Limit Switches	:	4 x SPDT, 250V AC 10A (2 std. & 2 additional)
Space Heater	:	2W Anti Condensation
Manual Override	:	Handwheel Declutchable
Duty Cycle (on/offduty)	:	S4, 70% (average load of 80% for Max. torque) S2, 50% (average load of 80% for Max. torque)
Travel Angle	:	330°
Conduit Entries	:	2 x M20
Ambient Temperature	:	-20 °C to + 80 °C
External Coating	:	Dry Powder, Polyester

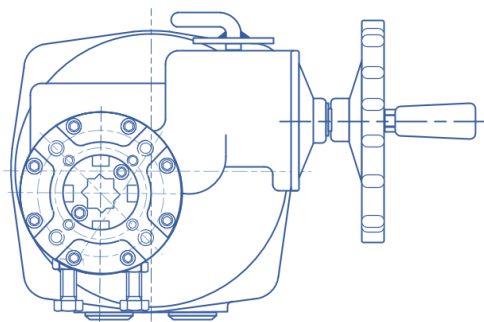
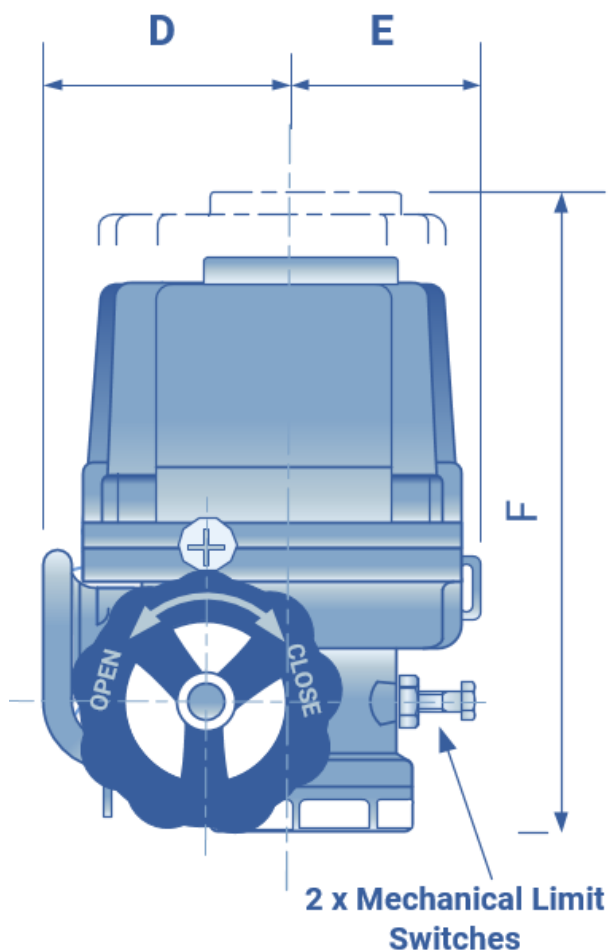
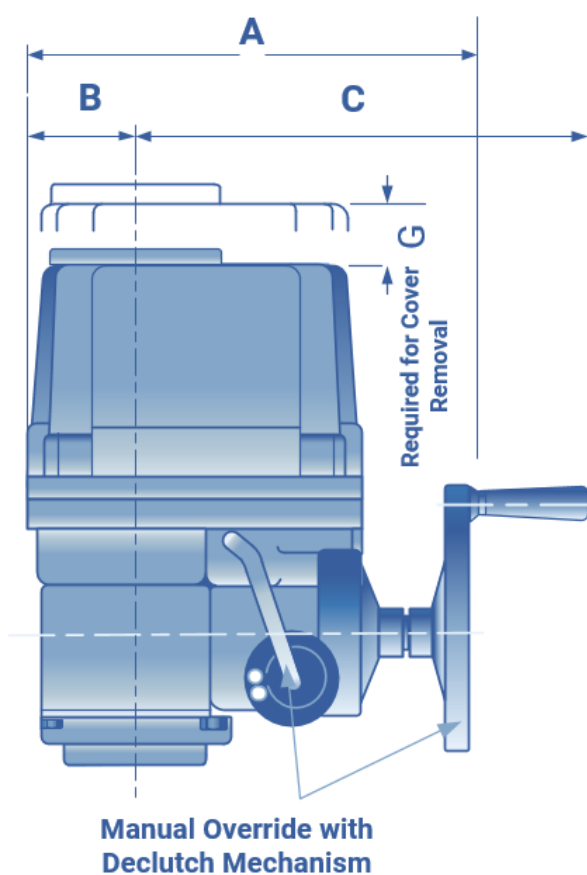
OPTION SPECIFICATION

PIU	:	Potentiometer Unit (1K – 10K)
PCU	:	Proportional Control Unit (In/Out: 0-10VDC, 4-20mA)
CPT	:	Current Position Transmitter (Output 4-20mA)
TS	:	Torque overload indicator module (single & redundancy)

PERFORMANCE

MODEL	HQ005
TORQUE(Nm)	50
SPEED 90° 50/60Hz	13
CURRENT 110/1/50	0.1A
(A) 220/1/50	0.05A
24 VAC/DC	0.8 A
WEIGHT	2.6
MAX.SQ.DRIVE	14
ISO 5211 mtg. base	F03, F04, F05, F07

HQ008/50 Electric Actuator



H x J Deep * Star Drive

DIMENSIONS

Model	Base	A	B	C	D	E	F	G	H*	J
HQ008	F07	258	50	157	100	235	120	120	14	35
HQ015	F07/F10	338	73	200	142	268	160	160	17	45
HQ020	F07/F10	338	73	200	142	268	160	160	17	45
HQ030	F10/F12	368	82	221	160	290	180	180	22	52
HQ050	F10/F12	368	82	221	160	290	180	180	22	52
HQ060	F10/F12	368	82	221	160	290	180	180	27	52
HQ080	F12/F14	410	103	242	186	330	210	210	27	60
HQ120	F12/F14	410	103	242	186	330	210	210	36	60

All information is sourced from our manufacturer's data and is intended for guidance only - Valves Online can accept no liability for changes, omissions or errors.

HQ008/50 Electric Actuator

Various options, including:

EXA - ATEX Eexd Enclosure to ATEX EX II 2 G, Exd IIB T4

PCU - 4-20mA or 0-10v Modulating positioner card

WTA - IP68 waterproof housing (10m / 72 Hr)

SICU - Local control unit with local/remote switch

MRCT - Speed control card

RBP - Failsafe battery backup (HQ008 to HQ030 only)

FPA - High temp fire protection.

Standard Actuator Specification

Enclosure	:	Weatherproof IP67
Power Supply	:	110/220V 1PH, 24VAC/24VDC 380/440V AC 3PH
Operating Time	:	see chart
Limit Switches	:	4 x SPDT, 250V AC 10A
Space Heater	:	10W (110/240V AC)Anti Condensation
Manual Override	:	Handwheel Declutchable
Duty Cycle (on/off)	:	S4, 70% standard, 100% for Max 30 Mins
Travel Angle	:	90°
Conduit Entries	:	2 x M25 (PG13.5 or 1/2"NPT Option)
Ambient Temperature	:	-20 °C to + 70 °C
External Coating	:	Dry Powder, Polyester

OPTION SPECIFICATION

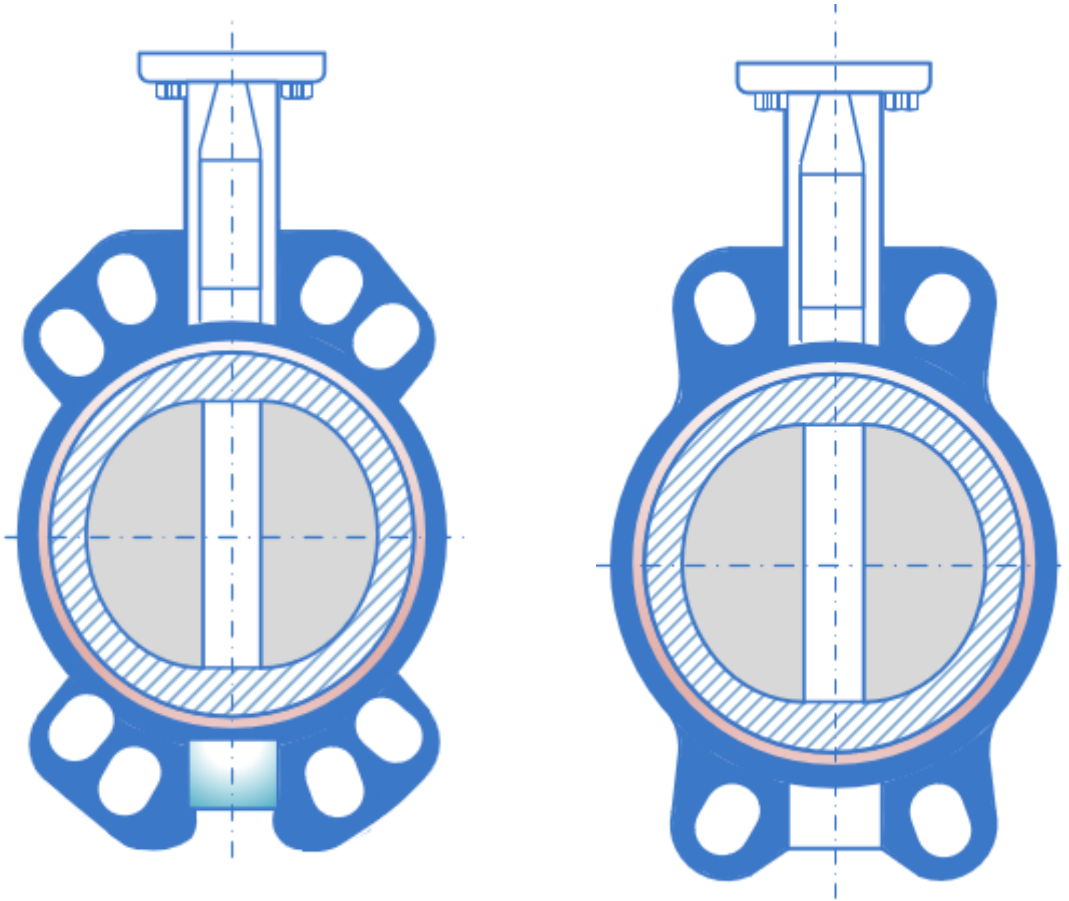
PIU	:	Potentiometer Unit (1K – 10K)
PCU	:	Proportional Control Unit (In/Out: 0-10VDC, 4-20mA)
CPT	:	Current Position Transmitter (Output 4-20mA)
LCU	:	Local Control Unit (Remote/Open/Stop/Close Switch)
EXA	:	Explosion Proof Enclosure. ATEX II 2G Eexd IIB T4
FPA	:	Fire Proof Actuator. 250°C/150 min

PERFORMANCE

MODEL	HQ008	HQ015	HQ020	HQ030	HQ050	HQ060	HQ080	HQ120
TORQUE(Nm)	80	150	200	300	500	600	800	1200
SPEED 90° 50/60Hz	16/13	25/21	25/21	31/26	31/26	31/26	34/28	34/28
CURRENT 110/1/50	1.1	1.65	1.67	1.86	3.62	3.62	4.1	4.2
(A) 220/1/50	0.55	0.88	0.89	0.92	1.58	1.62	2.2	2.35
MAX 380/3/50	N/A	0.31	0.31	0.35	0.59	0.6	0.85	0.87
WEIGHT	7.4	16.6	16.6	22	23	23	29	29
MAX.SQ.DRIVE	17	19	19	30	30	30	40	40

All information is sourced from our manufacturer's data and is intended for guidance only - Valves Online can accept no liability for changes, omissions or errors.

WRAS Butterfly Valve Part Number BF4686



The valves above illustrate locating lugs for alignment of various flanges



Pneumatic
Actuated WRAS
Approved Butterfly
Valves