

Motorised Electric Ball Valve – 3 Wire & Failsafe

- Sizes from 1 1/4" to 2"
- Power Open – Power Closed Version
- Failsafe Close Version
- For use on water and air
- Temperature up to 80°C
- Pressure from 0 up to 10 bar
- WRAS Approved Ball valve

Description

A compact electric powered motorised ball valve assembly for isolation of water and air. Offered in two versions which are 3 wire, power open and power closed, with the option of failsafe which is power open and on power failure the valve closes automatically. The actuator is supplied with a 0.5 meter pre wired cable and is IP67 protected. The ball valve is stainless steel, screwed BSP, in sizes from 1 1/4" to 2" and comes with a WRAS certificate, suitable for use on potable drinking water. Options for various voltages.

Benefits

This full bore high flow ball valve is a realistic choice over a solenoid valve, offering low power electric operation with a operating time of 10 seconds and more forgiving to small particles in the media with the addition of suppressing water hammer .

Supply Voltages

12 – 24 DC + 24 AC 50/60Hz
110 – 240 volt 50/60Hz



Description

Motorised ball valve in stainless steel WRAS Approved, in sizes from 1 1/4"-2". Operated with options of voltage and a choice of 3 wire or failsafe. The valve is screwed BSP and can handle pressures up to 10 bar, with an operating time of 10 seconds. Easy to wire and install.



Beschreibung

Motorisiertes Kugelventil aus Edelstahl, WRAS-zugelassen, in Größen von 1 1/4" bis 2". Wird wahlweise mit Spannung und wahlweise 3-adrig oder ausfallsicher betrieben. Das Ventil ist BSP-geschraubt und kann Drücke bis zu 10 bar bei einer Betriebszeit handhaben von 10 Sekunden Einfach zu verdrahten und zu installieren.



Descripción

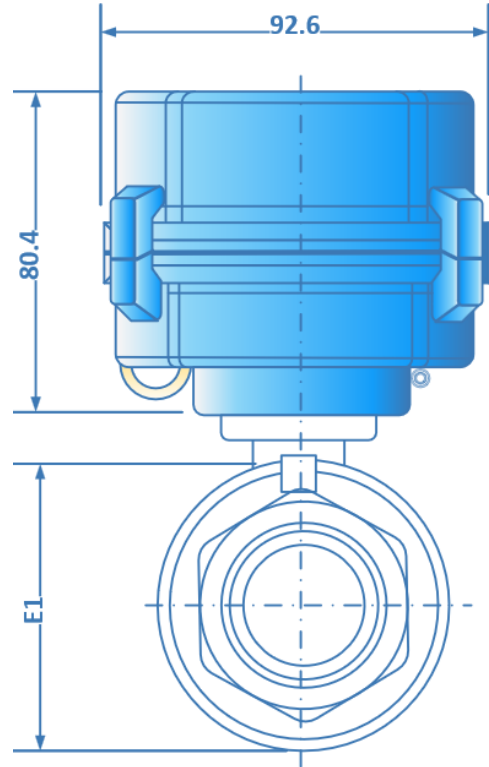
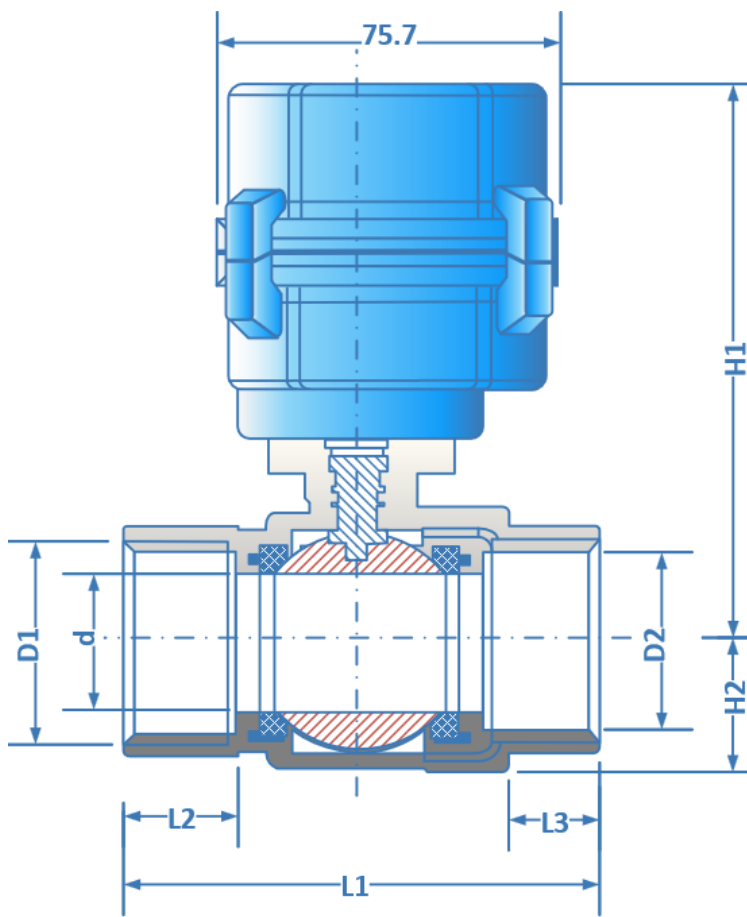
Válvula de bola motorizada en acero inoxidable Aprobada por WRAS, en tamaños de 1 1/4"-2". Operada con opciones de voltaje y una opción de 3 hilos o de seguridad. La válvula es roscada BSP y puede manejar presiones de hasta 10 bar, con un tiempo de operación de 10 segundos Fácil de cablear e instalar.



Description

Vanne à boisseau sphérique motorisée en acier inoxydable Approuvé WRAS, dans des tailles de 1 1/4 "-2". Fonctionne avec des options de tension et un choix de 3 fils ou de sécurité. La vanne est vissée BSP et peut supporter des pressions jusqu'à 10 bar, avec un temps de fonctionnement de 10 secondes Facile à câbler et à installer.

EA4101



Ball Valve Seats PTFE + EPDM Seals

Failsafe Control

Power ON – Valve Opens

Power Off – Valve Closes Automatically

Requires initial 30 second power ON time to recharge the reserve power.

3 Wire Control

Connect Power RED & Negative BLACK.

Power to GREEN – Valve Opens

Power to GREEN – Valve Closes

Dimensions

Size d	Bore D1/D2	L1	L2/L3	E1	H1	H2	Kg
1 1/4"	32	102	23	47	122	31	1.4
1 1/2"	38	115	25	52	130	36	1.7
2"	50	130	25	66	141.4	44.5	2.3

Technical

Voltage Min - Max Continuous Duty	Actuator Torque	Power	Open, Closed Feedback switch	Enclosure	Electrical Connection
12 to 24 volt DC + 24VAC	15 Nm	22 Watt max 1 Amp	36 VDC, 0.4 Amp Max.	IP67	0.5 meter lead wire
110 to 240 volt AC 50/60Hz					

Options

Visual Position Indicator, Manual Override

E2 volt free fully open & Closed Position Feedback Switches

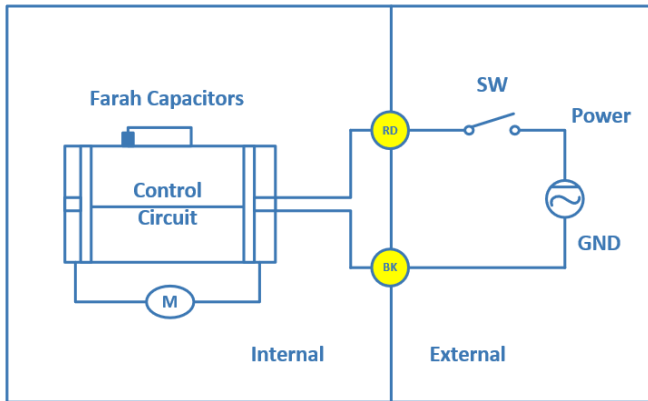
Failsafe Open (MO-NO Power to Close with Failsafe Open) and 3 Wire.

NPT Thread

3 Wire 1 Point Control

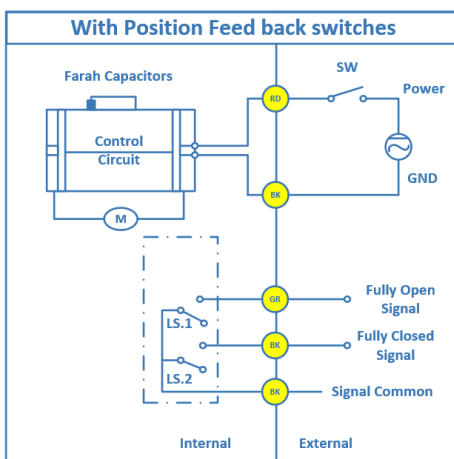


All information is sourced from our manufacturer's data and is intended for guidance only - Valves Online can accept no liability for changes, omissions or errors.

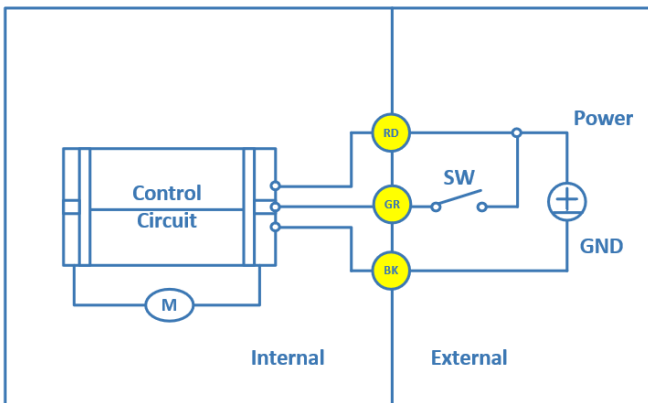


Failsafe Control.

Power ON motor actuates valve into powered position and then automatically powers off.
Valve stays in powered position.
Power OFF motor actuates valve back to start position using reserve power.
Valve stays in start position.

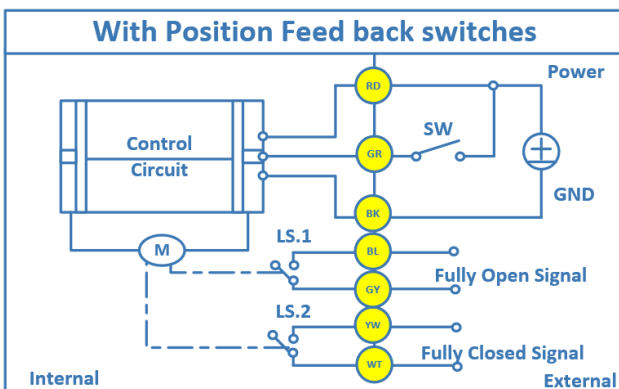


Failsafe Automatic Return Position Feedback: Green Open, Yellow Closed and White Common



3 Wire Control

Power ON to GREEN motor actuates valve into powered position and then automatically powers off.
Valve stays in powered position.
Power OFF to GREEN, motor actuates valve back to start position and then automatically powers off.
Valve stays in start position.



3 Wire Control Position Feedback: Blue & Green Open, Yellow and White Closed



All information is sourced from our manufacturer's data and is intended for guidance only - Valves Online can accept no liability for changes, omissions or errors.