

ECONOMY STAINLESS STEEL

SWING CHECK VALVE

Key features:

- Swing check valve
- Stainless steel body
- PTFE gaskets
- Screwed BSP end connections
- Sizes available: 1/2" to 3"
- Max. working pressure: 200 PSI



DETAILS

Economy Stainless Steel Swing Check Valve

This swing check valve offers excellent sealing capabilities for general purpose, industrial and HVAC applications include water, heating, air-conditioning plants and compressed air systems.

A reliable, low-cost, high-performance valve featuring a stainless steel body and PTFE gaskets.

The valve has BSP screwed end connections and is available in sizes 1/2" to 3"

Maximum working pressure of 200 PSI.

This valve is to be installed in a horizontal position only.

Call 01822 855600 to discuss your project or application further with a member of our technical team or contact us via our online form.

ECONOMY STAINLESS STEEL

SWING CHECK VALVE

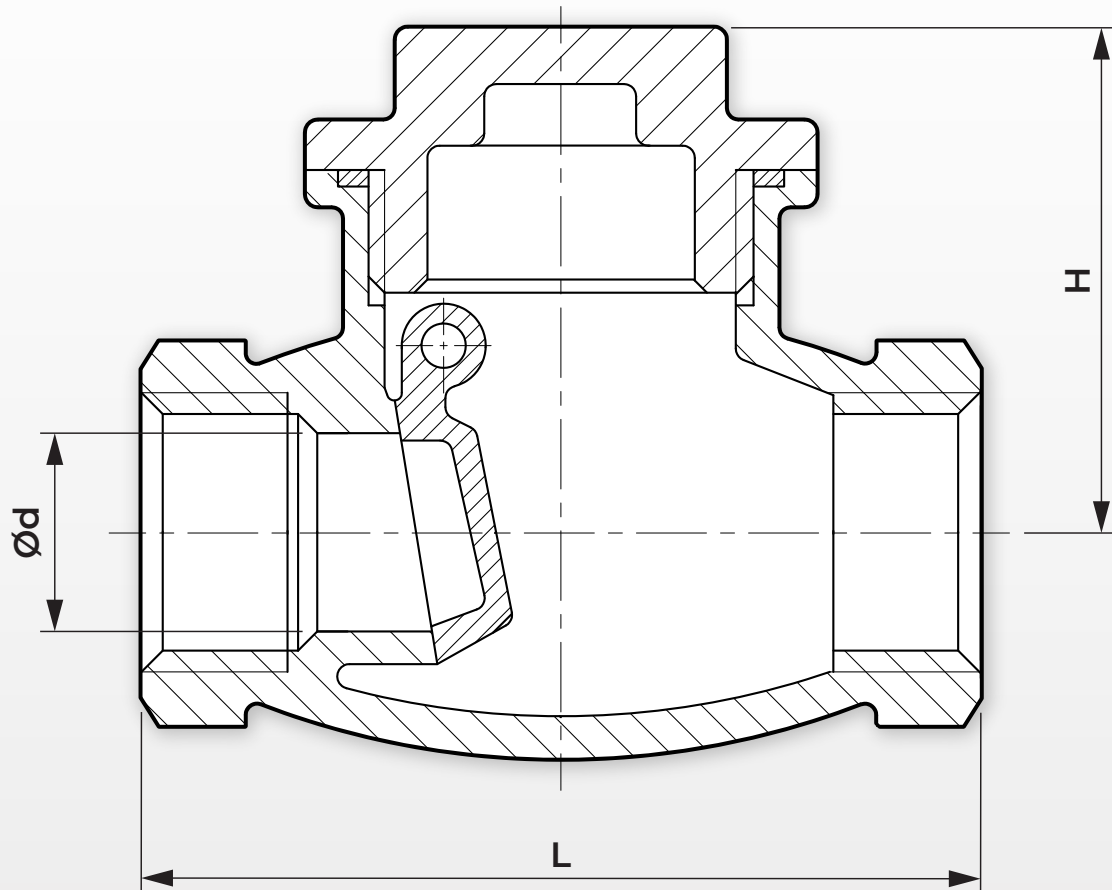
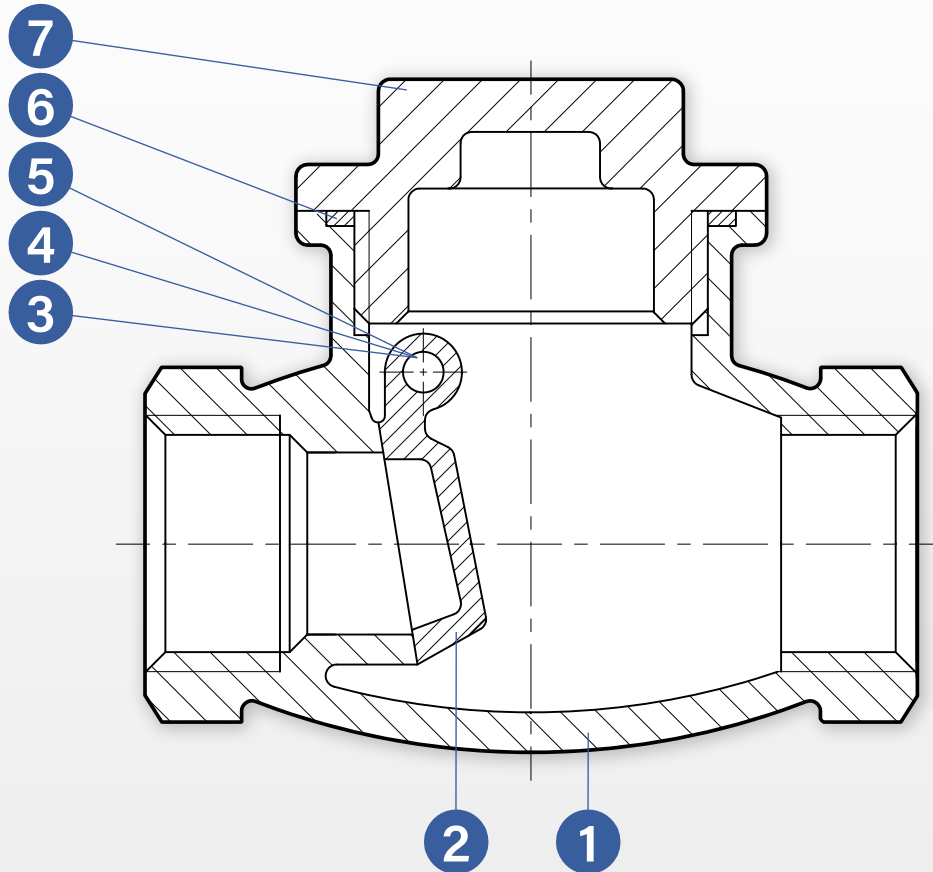


TABLE 1: DIMENSIONS IN MM

Size	DN	d	L	H	Weight	SKU
1/2"	DN15	15	63	42	0.23 kg	CV4684-100101
3/4"	DN20	20	78	46	0.35 kg	CV4684-100102
1"	DN25	25	87	50	0.54 kg	CV4684-100103
1-1/4"	DN32	32	100	54	0.81 kg	CV4684-100104
1-1/2"	DN40	40	115	64	1.01 kg	CV4684-100105
2"	DN50	50	135	71	1.62 kg	CV4684-100106
2-1/2"	DN65	64	164	94	2.94 kg	CV4684-100107
3"	DN80	73	190	103	4.13 kg	CV4684-100108

ECONOMY STAINLESS STEEL
SWING CHECK VALVE

TABLE 2: MATERIALS

Item	Part	Materials
1	Body	ASTM A351-CF8M
2	Disc	ASTM A351-CF8M
3	Pipe plug	SUS 316
4	Plug gasket	PTFE
5	Plug screw	SUS 304
6	Gasket	PTFE
7	Bonnet	ASTM A351-CF8M