

ECONOMY STAINLESS STEEL

WAFER SWING CHECK VALVE



A space saving check valve with the following key features:

- CF8M stainless steel body
- Viton valve seat and body seal
- Sizes: 1½" to 12"
- Pressure rating: 16 bar
- Temp. range: -20°C to +180°C
- To fit: PN10/16 and ANSI 150

DETAILS

An economical, space saving wafer check swing valve offering excellent sealing capabilities.

Manufactured with a CF8M stainless steel body and disc, and valve seat and body seal from Viton.

Available in a range of sizes from 1½" (DN40) to 12" (DN300).

For general purpose, industrial and HVAC applications including water, heating, air-conditioning and compressed air systems.

Suitable for both low and high pressure applications with a maximum working pressure of 16 bar.

Working temperature range of -20°C to +180°C.

For mounting between PN10/16 and ANSI 150 flanges either horizontally or vertically with the media flowing upwards.

ECONOMY STAINLESS STEEL

WAFER SWING CHECK VALVE

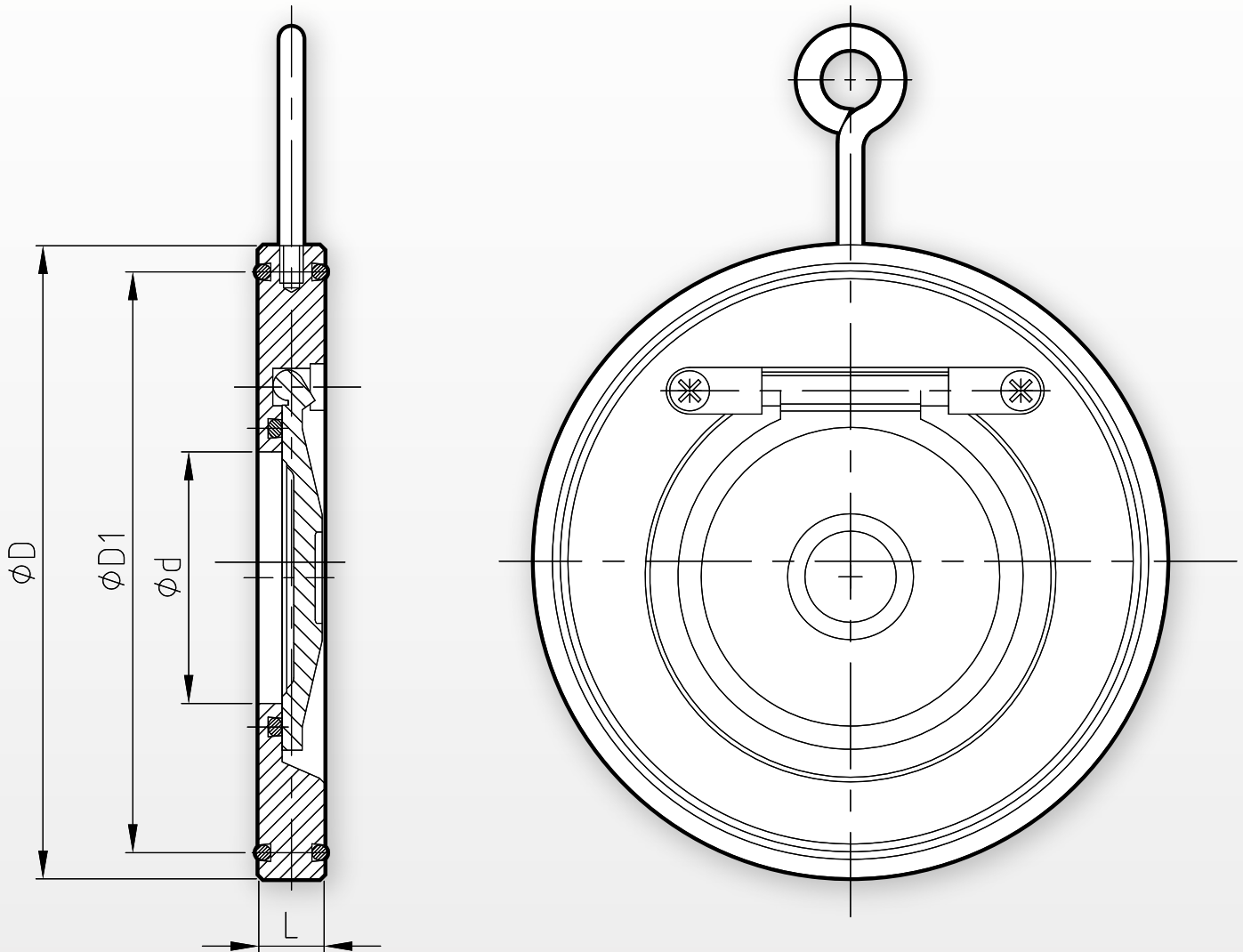


TABLE 1: DIMENSIONS IN MM

NPS (DN)	d	D	D1	L	Weight	SKU
1-1/2" (DN40)	25	85	68	12	0.52 kg	CV4681-100100
2" (DN50)	32	105	84	14	0.79 kg	CV4681-100101
2-1/2" (DN65)	40	124	96	14	1.10 kg	CV4681-100102
3" (DN80)	54	136	117.5	14	1.30 kg	CV4681-100103
4" (DN100)	70	164	148	18	2.26 kg	CV4681-100104
5" (DN125)	92	194	166	18	3.15 kg	CV4681-100105
6" (DN150)	114	220	197	20	4.54 kg	CV4681-100106
8" (DN200)	154	275	249	22	7.65 kg	CV4681-100107
10" (DN250)	200	330	310	26	12.63 kg	CV4681-100108
12" (DN300)	230	380	358	30	19.95 kg	CV4681-100109

ECONOMY STAINLESS STEEL

WAFER SWING CHECK VALVE

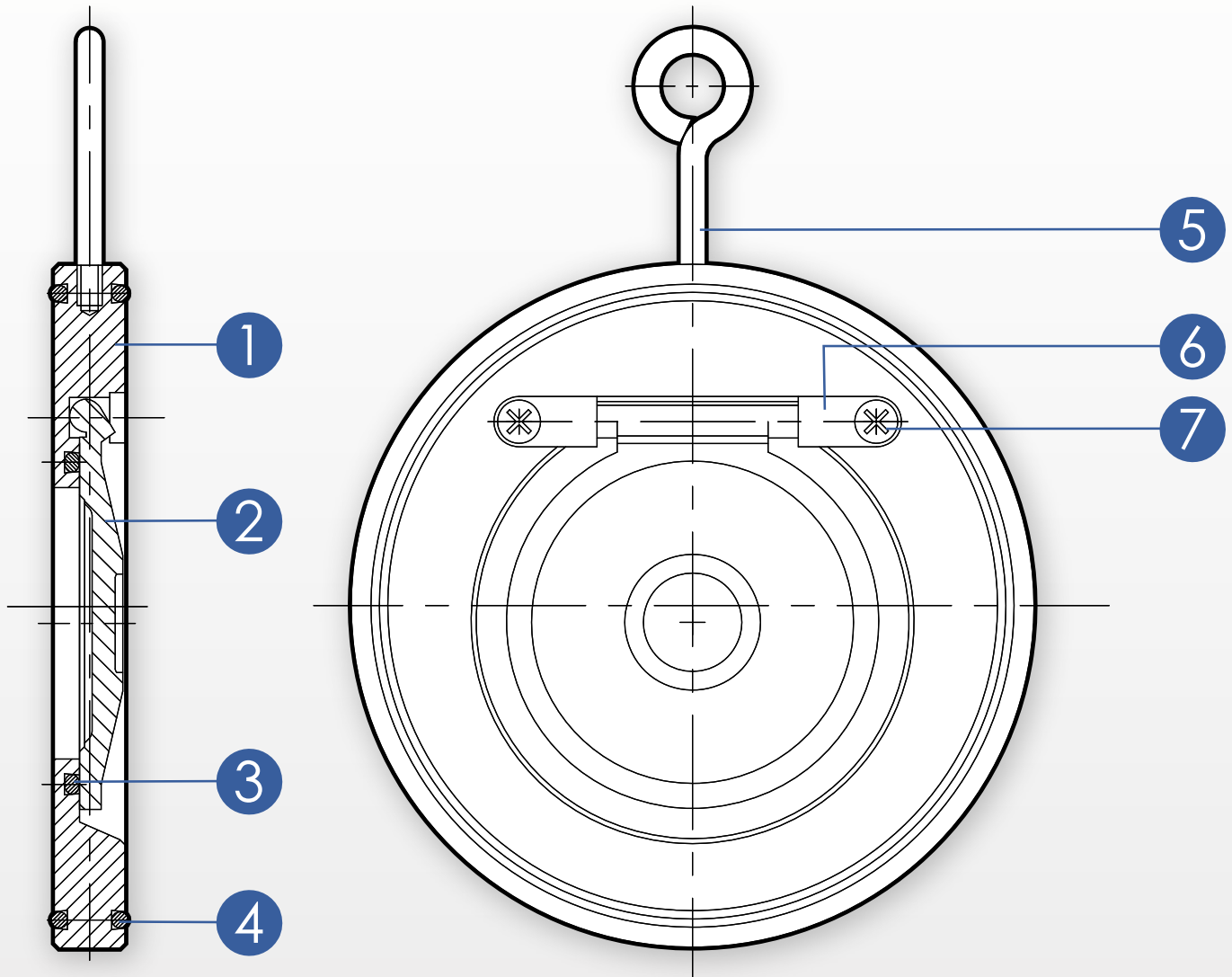


TABLE 2: MATERIALS

Item	Part	Material
1	Body	ASTM A351-CFM8
2	Disc	ASTM A351-CFM8
3	Disc O-ring	Viton
4	External O-ring	Viton
5	Hook	SS 304
6	Stem stopper	SS 316
7	Axis screw	SS 316