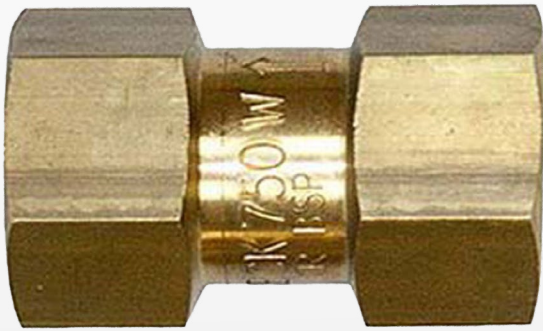


CV4307

BRASS SINGLE CHECK VALVE CR

SCREWED ENDS,

BSPP FEMALE



Economical, maintenance free valve having the following key features:

- **Single check valve CR**
- **Brass body**
- **Screwed ends**
- **Available in sizes 1/2", 3/4", 1", 1-1/4", 1-1/2" and 2"**

DETAILS

Our brass bodied single check valve CR is suitable for general plumbing, heating systems and domestic applications.

Available with BSPP female screwed ends in sizes 1/2" to 2"

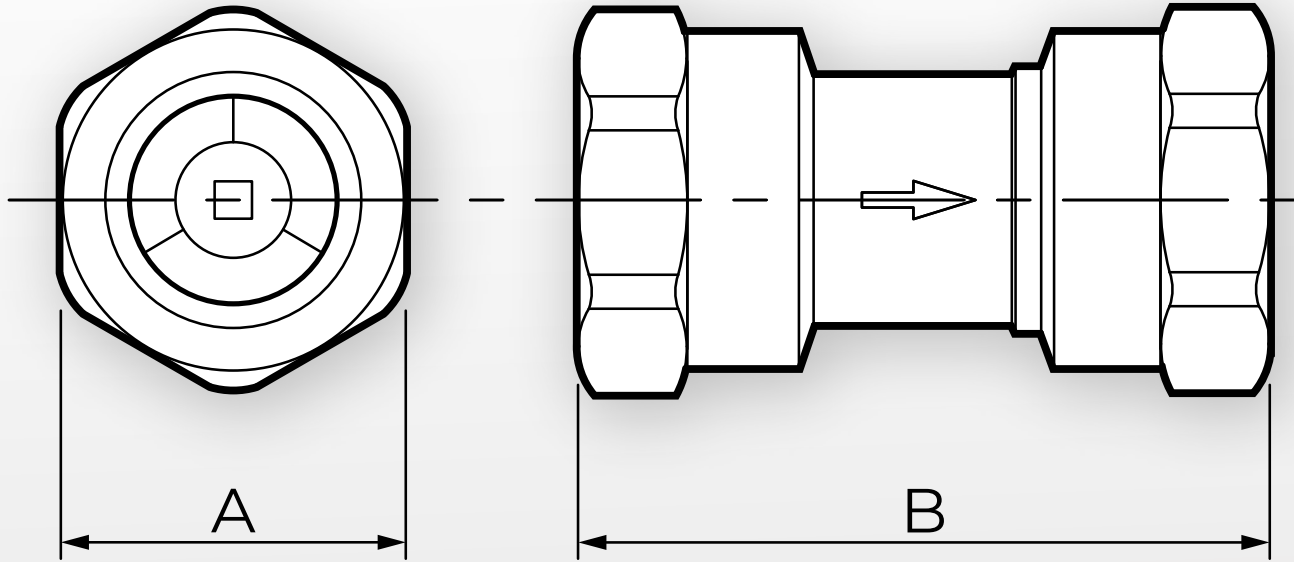
With a maximum working temperature of 85°C.

PN16 pressure rating.

An economical, maintenance free valve.

BRASS SINGLE CHECK VALVE CR

SCREWED ENDS, BSPP FEMALE


TABLE 1: DIMENSIONS IN MM

Size	A	B	Kg	SKU
1/2"	25	51	0.11	CV4307-105303
3/4"	31	60	0.14	CV4307-105304
1"	38	67	0.22	CV4307-105305
1 1/4"	46	76	0.29	CV4307-105306
1 1/2"	52	82	0.40	CV4307-105307
2"	65	103	0.52	CV4307-105308

TABLE 2: MATERIALS

Item	Material
Body	DZR brass
Seals	EPDM
Spring	Stainless steel
Check Cartridge	Acetyl copolymer

TABLE 3: RATINGS

Pressure/Temperature	Specification
Pressure	PN16
Max Temperature	85°C