





SKU: KG5022/5027

-  Biogas & Slurry Knife Gate Valve – Hydraulic Actuated
-  Biogas & Gülle Plattenschieber - hydraulische betätigte
-  Válvula de compuerta de biogás y de lechada Knife - Accionamiento hidráulico
-  Biogaz et lisier Vanne guillotine - commande hydraulique

Valves[™]
O N L I N E

- 4" - 10" Cast Iron Knife Gate Valve – Hydraulic Double Acting
- 4" - 10" Gusseisen -Plattenschieber - Hydraulische DW
- 4" - 10" Reparto de la válvula de puerta del cuchillo de hierro - Hidráulica interino Doble
- 4" - 10" Fonte Vanne guillotine - Hydraulique double effet



This Hydraulic actuated unidirectional knife gate is equipped with drillings for double flanging, for the fitting with a square flange for agricultural use on tankers. It also has drillings for either PN10 or ANSI 150 flanges. The Hydraulic actuator is double acting.

Due to a special design feature, the gate valve can be classed as “anti-clogging” with the added feature of it being able to be installed in any position.

The valve has a robust protective casing, which completely isolates the moving parts of the gate valve.

Set-up for lever attachments on the valve body, the valve is supplied with stainless steel screws and tie rods to prevent corrosion.

Equipped with an open/closed position indicator.

Simple maintenance: all parts, when the worn is out, parts are easily replaceable.

Complies with the Directive 97/23/CE (PED).

To Suit PN10 or ANSI
150 Flanges-AGRI
Standard

Knife Gate Valve with
O-Ring Gaskets.
Hydraulic Actuated



Description

Knife gate is a uni-directional Hydraulic operated valve. To suit PN10, ANSI 150 and AGRI standard square flanges, 4 hole, cast iron body, stainless steel blade. NBR gaskets and fully enclosed for safety. Position indicator fitted. PN10 rated, temp - 20C to + 90C. Used in the Biogas and Agricultural industries, typical use – Slurry.



Beschreibung

Messergatter ein unidirektionales Hydraulikventilbetätigt . Um PN10, ANSI 150 und AGRI Standard quadratischen Flanschen , 4-Loch , Gusskörper , Klinge aus rostfreiem Stahl zu entsprechen. NBR -Dichtungen und voll für die Sicherheit bei. Stellungsanzeige ausgestattet. PN10 gelesen Temp - 20C bis + 90C . Verwendet in der Biogas und Agrarindustrie, typische Verwendung - Slurry .



Descripción





Puerta Knife es un hidráulico unidireccional válvula operada . Para adaptarse a bridas PN10, ANSI 150 y AGRI estándar cuadrados, 4 agujeros , cuerpo de hierro fundido, hoja de acero inoxidable . Juntas NBR y completamente cerrado para la seguridad. Indicador de posición equipado . PN10 clasificación , temp - 20C a + 90C . Utilizado en el biogás y las industrias agrícolas, uso típico - lechada .



Description

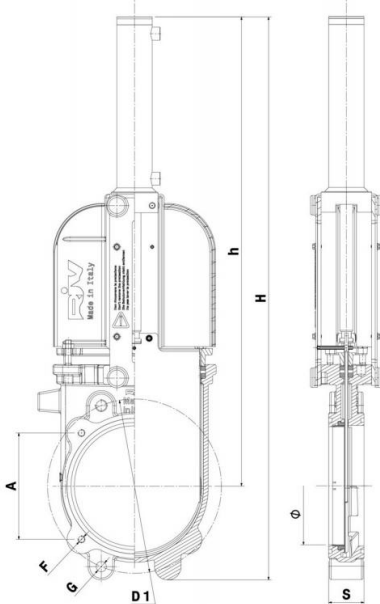
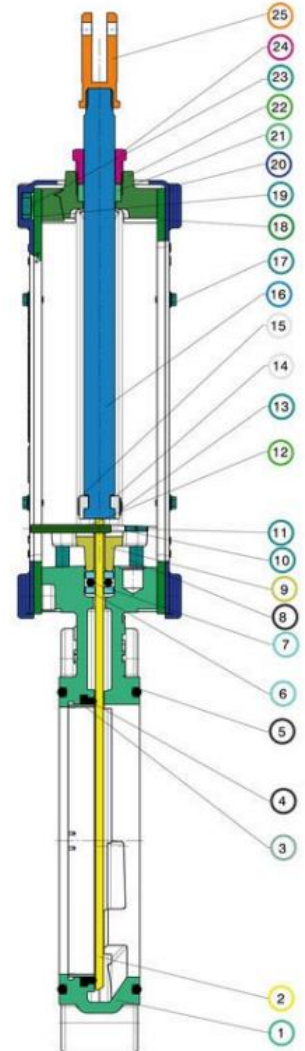
Porte Knife est un hydraulique unidirectionnel vanne actionnée . Pour répondre à PN10, ANSI 150 et agro brides carrés standard, 4 trous , corps de fonte , lame en acier inoxydable . Joints NBR et entièrement clos pour la sécurité . Indicateur de position équipé . PN10 évalué , température - 20 ° C à + 90 ° C . Utilisé dans le biogaz et les industries agricoles , utilisation typique - lisier .

Can be supplied with
Handwheel, Lever and
Hydraulic Actuators

-  Biogas & Slurry Knife Gate Valve – Hydraulic Actuated
-  Biogas & Gülle Plattenschieber - hydraulische betätigte
-  Válvula de compuerta de biogás y de lechada Knife - Accionamiento hidráulico
-  Biogas et lisier Vanne guillotine - commande hydraulique

Hydraulic Cast Iron Knife Gate Valve

| Material List | | |
|---------------|--------------------|-----------------|
| Item | Part | Description |
| 1 | Body | Cast Iron |
| 2 | Blade | Stainless Steel |
| 3 | Ring | Stainless Steel |
| 4 | Gasket | HNBR |
| 5 | O-Ring | NBR |
| 6 | Gland Packing | Fibre |
| 7 | Gasket | NBR |
| 8 | Stud | Stainless Steel |
| 9 | Gland Packing Box | Cast Iron |
| 10 | Washer | Stainless Steel |
| 11 | Nut | Stainless Steel |
| 12 | Position Indicator | Steel |
| 13 | Screw | Stainless Steel |
| 14 | Blade Connection | Brass |
| 15 | Nut | Steel |
| 16 | Stem | Brass |
| 17 | Screw | Stainless Steel |
| 18 | Clamp | Steel |
| 19 | Screw | Stainless Steel |
| 20 | Casing | PP |
| 21 | Tow Packing | Fibre |
| 22 | Cap | Cast Iron |
| 23 | Washer | Stainless Steel |
| 24 | Stuffing Box | Brass |
| 25 | Fork | Brass |



| Pressure / Temperature Rating | | |
|-------------------------------|---------------------------|--------|
| Pressure | 4" - 6" | 10 Bar |
| | 8" | 8 Bar |
| | 10" | 7 Bar |
| Temperature | - 20C (without liquid) | + 90°C |
| | Max Pressure at room temp | 23°C |

**Standard Flange Connection PN10 or ANSI 150 or
AGRI Standard Square Flange**
Valves are manufactured following European
Pressure Equipment Directive PED 97/23/CE

| DIMENSIONS | | | | | | | | | | |
|------------|--------|------|------|----|-----|-----|-----|-----|--------|------|
| DN | INCHES | H | h | S | F | A | D1 | G | PN | KG |
| 100 | 4" | 651 | 545 | 50 | M12 | 150 | 180 | M16 | 10 Bar | 17.5 |
| 125 | 5" | 731 | 611 | 50 | M12 | 150 | 210 | M16 | 10 Bar | 19 |
| 150 | 6" | 801 | 667 | 60 | M12 | 150 | 240 | M20 | 10 Bar | 23 |
| 200 | 8" | 954 | 795 | 60 | M12 | 180 | 295 | M20 | 8 Bar | 28 |
| 250 | 10" | 1244 | 1047 | 70 | | | 350 | M20 | 7 Bar | 54 |