





SKU: KG5022/5027

-  Biogas & Slurry Knife Gate Valve – Hydraulic Actuated
-  Biogas & Gülle Plattenschieber - hydraulische betätigte
-  Válvula de compuerta de biogás y de lechada Knife - Accionamiento hidráulico
-  Biogaz et lisier Vanne guillotine - commande hydraulique

Valves[™]
O N L I N E

- 4" - 10" Cast Iron Knife Gate Valve – Hydraulic Double Acting
- 4" - 10" Gusseisen -Plattenschieber - Hydraulische DW
- 4" - 10" Reparto de la válvula de puerta del cuchillo de hierro - Hidráulica interino Doble
- 4" - 10" Fonte Vanne guillotine - Hydraulique double effet



This Hydraulic actuated unidirectional knife gate is equipped with drillings for double flanging, for the fitting with a square flange for agricultural use on tankers. It also has drillings for either PN10 or ANSI 150 flanges. The Hydraulic actuator is double acting.

Due to a special design feature, the gate valve can be classed as “anti-clogging” with the added feature of it being able to be installed in any position.

The valve has a robust protective casing, which completely isolates the moving parts of the gate valve.

Set-up for lever attachments on the valve body, the valve is supplied with stainless steel screws and tie rods to prevent corrosion.

Equipped with an open/closed position indicator.

Simple maintenance: all parts, when the worn is out, parts are easily replaceable.

Complies with the Directive 97/23/CE (PED).



Description

Knife gate is a uni-directional Hydraulic operated valve. To suit PN10, ANSI 150 and AGRI standard square flanges, 4 hole, cast iron body, stainless steel blade. NBR gaskets and fully enclosed for safety. Position indicator fitted. PN10 rated, temp - 20C to + 90C. Used in the Biogas and Agricultural industries, typical use – Slurry.



Beschreibung

Messergatter ein unidirektionales Hydraulikventilbetätigt . Um PN10, ANSI 150 und AGRI Standard quadratischen Flanschen , 4-Loch , Gusskörper , Klinge aus rostfreiem Stahl zu entsprechen. NBR -Dichtungen und voll für die Sicherheit bei. Stellungsanzeige ausgestattet. PN10 gelesen Temp - 20C bis + 90C . Verwendet in der Biogas und Agrarindustrie, typische Verwendung - Slurry .



Descripción

Puerta Knife es un hidráulico unidireccional válvula operada . Para adaptarse a bridas PN10, ANSI 150 y AGRI estándar cuadrados, 4 agujeros , cuerpo de hierro fundido, hoja de acero inoxidable . Juntas NBR y completamente cerrado para la seguridad. Indicador de posición equipado . PN10 clasificación , temp - 20C a + 90C . Utilizado en el biogás y las industrias agrícolas, uso típico - lechada .



Description

Porte Knife est un hydraulique unidirectionnel vanne actionnée . Pour répondre à PN10, ANSI 150 et agro brides carrés standard, 4 trous , corps de fonte , lame en acier inoxydable . Joints NBR et entièrement clos pour la sécurité . Indicateur de position équipé . PN10 évalué , température - 20 ° C à + 90 ° C . Utilisé dans le biogaz et les industries agricoles , utilisation typique - lisier .

To Suit PN10 or ANSI
150 Flanges-AGRI
Standard

Knife Gate Valve with
O-Ring Gaskets.
Hydraulic Actuated

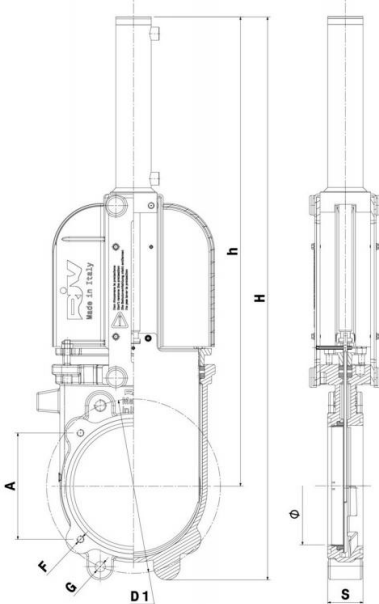
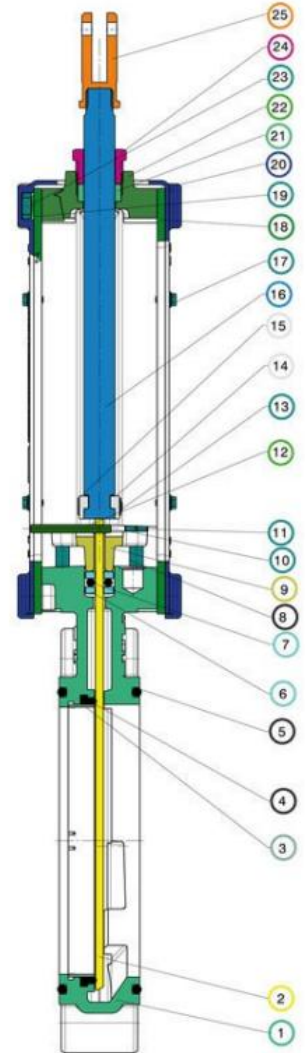
Can be supplied with
Handwheel, Lever and
Hydraulic Actuators



Biogas & Slurry Knife Gate Valve – Hydraulic Actuated
 Biogas & Gülle Plattenschieber - hydraulische betätigte
 Válvula de compuerta de biogás y de lechada Knife - Accionamiento hidráulico
 Biogas et lisier Vanne guillotine - commande hydraulique

Hydraulic Cast Iron Knife Gate Valve

Material List		
Item	Part	Description
1	Body	Cast Iron
2	Blade	Stainless Steel
3	Ring	Stainless Steel
4	Gasket	HNBR
5	O-Ring	NBR
6	Gland Packing	Fibre
7	Gasket	NBR
8	Stud	Stainless Steel
9	Gland Packing Box	Cast Iron
10	Washer	Stainless Steel
11	Nut	Stainless Steel
12	Position Indicator	Steel
13	Screw	Stainless Steel
14	Blade Connection	Brass
15	Nut	Steel
16	Stem	Brass
17	Screw	Stainless Steel
18	Clamp	Steel
19	Screw	Stainless Steel
20	Casing	PP
21	Tow Packing	Fibre
22	Cap	Cast Iron
23	Washer	Stainless Steel
24	Stuffing Box	Brass
25	Fork	Brass



Pressure / Temperature Rating		
Pressure	4" - 6"	10 Bar
	8"	8 Bar
	10"	7 Bar
Temperature	- 20C (without liquid)	+ 90°C
	Max Pressure at room temp	23°C

**Standard Flange Connection PN10 or ANSI 150 or
 AGRI Standard Square Flange**
**Valves are manufactured following European
 Pressure Equipment Directive PED 97/23/CE**

DIMENSIONS										
DN	INCHES	H	h	S	F	A	D1	G	PN	KG
100	4"	651	545	50	M12	150	180	M16	10 Bar	17.5
125	5"	731	611	50	M12	150	210	M16	10 Bar	19
150	6"	801	667	60	M12	150	240	M20	10 Bar	23
200	8"	954	795	60	M12	180	295	M20	8 Bar	28
250	10"	1244	1047	70			350	M20	7 Bar	54