


SKU: GV5199

-  VOLT Cast Iron Globe Valve – Angle pattern
-  VOLT Cast Iron Globe Valve - Angle Muster
-  VOLT Reparto de la válvula globo Hierro - patrón de ángulo
-  VOLT Fonte Globe Valve - motif Angle

Valves[™]
O N L I N E

- 2" - 8" Angle Pattern Cast Iron Globe Valve - Flanged PN16
- 2" - 8" Winkel, Muster, Gusseisen Gangsventil - mit Flansch PN16
- 2" - 8" Patrón Ángulo Fundido Válvula Globo Hierro - con bridas PN16
- 2" - 8" Motif de plongée Fonte Globe Valve - brides PN16

Cast Iron Angled Pattern Globe Valve



- PN16 Rated
- -10° C to 300° C
- Handwheel Operated
- Flanged BS4504
- Fluids: Air, Gas, Oil, Steam & Water

Description:
**A Cast Iron Angle Pattern
Flanged PN16 Globe Valve,
Bolted Bonnet and Stainless
Steel Trim.with
Graphite Packing,
Hand Wheel Operator.
Rated PN16,
Temperature -10°C to 300°C**



Description

Cast iron Angle Pattern bolted cover globe valve. Ideally suited for secondary isolation duty. This valves provides a leak-tight shut off with the capability of being used partially open to regulate flow, Flanged PN16



Beschreibung

Gusseisen Winkel Muster verschraubt Abdeckung Durchgangsventil . Ideal für die SekundärisolierungPflicht geeignet. dieses Ventile bietet ein dicht mit der herunter Fähigkeit teilweise offen verwendet, um zu regulieren fließen , mit Flansch PN16






Descripción

Cast Patrón ángulo de hierro cubierta atornillado válvula de globo . Ideal para el servicio de aislamiento secundaria . este válvulas proporciona un estanco apague con el capacidad de ser utilizado parcialmente abierta para regular flujo, con bridas PN16



Description

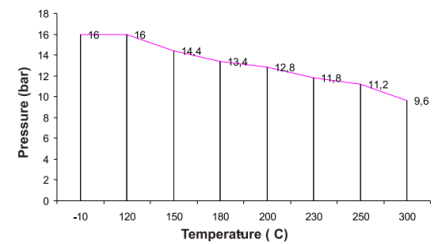
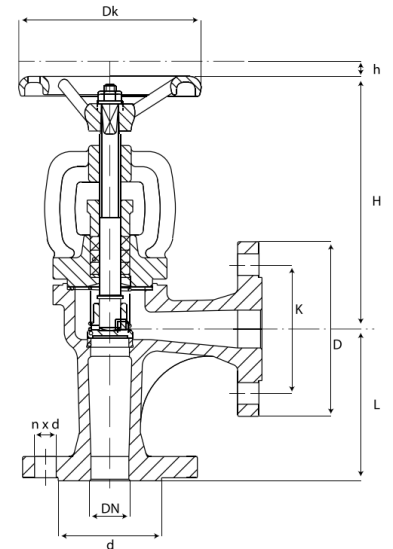
Cast Motif Angle fer soupape de globe de couvercle boulonné . Idéal pour les droits de l'isolement secondaire. cette vannes fournit une étanche coupée avec le capacité d'être utilisé partiellement ouverte pour réguler couler, brides PN16

-  VOLT Cast Iron Globe Valve – Angle pattern
-  VOLT Cast Iron Globe Valve - Angle Muster
-  VOLT Reparto de la válvula globo Hierro - patrón de ángulo
-  VOLT Fonte Globe Valve - motif Angle

Cast Iron Angle Globe Valve – PN16

- **PN16 Rated**
- **-10° C to 300° C**
- **Handwheel Operated**
- **Flanged BS4504**
- **Fluids: Air, Gas, Oil, Steam & Water**

| Materials | |
|---------------|---------------------|
| Body | EN-GJL-250 |
| Seat Ring | X 20Cr13 1.4006 |
| Bonnet | EN-GJL-250 |
| DISC | X 20Cr13 1.4006 |
| Stem | X 20Cr13 1.4006 |
| Handwheel | EN-GJS-400-18-LT |
| Gland | EN-GJL-250 |
| Ring | X 20Cr13 |
| Washer | X6CrNiTi18-10 |
| Screw | X20Cr13 |
| T-Bolt | 5.8 Zinc Galvanised |
| Nut | 8 + Zinc Galvanised |
| Gland Packing | Graphite |
| Gasket | Graphite + NiCr |
| Handwheel | Steel |



| Size | DN | PN16 | | | | | | | | Weight | Kv |
|-----------|-----|------|-----|-----|---------|-----|----|-----|-----|-----------|-------------|
| | | D | d | K | n x d | Dk | h | L | H | | |
| mm | | | | | | | | | | | |
| | | | | | | | | | | Kg | m³/h |
| 2" | 50 | 165 | 99 | 125 | 4 x 19 | 160 | 25 | 125 | 211 | 12 | 51 |
| 2"1/2 | 65 | 185 | 118 | 145 | 4 x 19 | 180 | 35 | 145 | 236 | 17.3 | 98.5 |
| 3" | 80 | 200 | 132 | 160 | 8 x 19 | 200 | 41 | 155 | 250 | 22.7 | 143 |
| 4" | 100 | 220 | 156 | 180 | 8 x 19 | 250 | 31 | 175 | 301 | 35.8 | 226 |
| 5" | 125 | 250 | 184 | 210 | 8 x 19 | 250 | 48 | 200 | 339 | 52.8 | 281 |
| 6" | 150 | 285 | 211 | 420 | 8 x 23 | 320 | 54 | 225 | 383 | 74.2 | 455 |
| 8" | 200 | 340 | 266 | 295 | 12 x 23 | 360 | 77 | 275 | 455 | 126 | 860 |