



Description

The ball valve is suitable for isolating flow in liquid handling systems. The valve is available with a PVC-C body and either EPDM or FPM O-Rings with ball seats in PTFE. The choice of materials will depend upon the type of liquid handled by the system and operating temperature. See the chemical resistance chart and pressure /temperature diagram for more information.

The valve handle has an in-built tool for easy adjustment of the threaded seal carrier and ball torque.

Design Advantages

A ball valve from our Extreme Range, that offers high performance, excellent flow characteristics and a minimal pressure drop.

Blow - out proof stem

Prevents stem blowing out for maximum safety.

Body Options

PVC-U / PVC-C / PP-H / PVDF / ABS

O-Ring Options

The colour of the indicator at the top of the stem indicates the membrane material: black = EPDM, green = FPM.

Easy to Actuate

Our Purpose Built Mounting Kit

PVC-C Manual Ball Valve Extreme Range

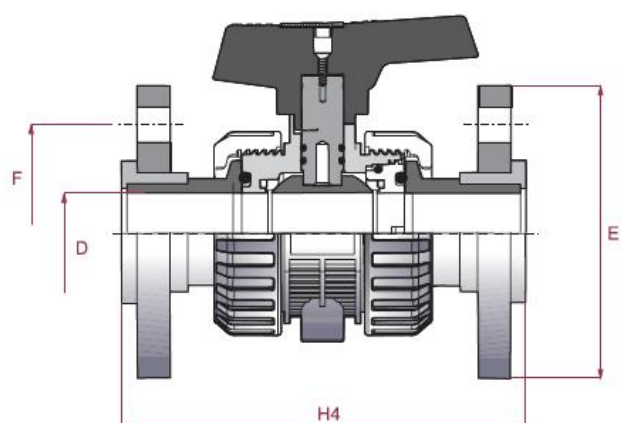
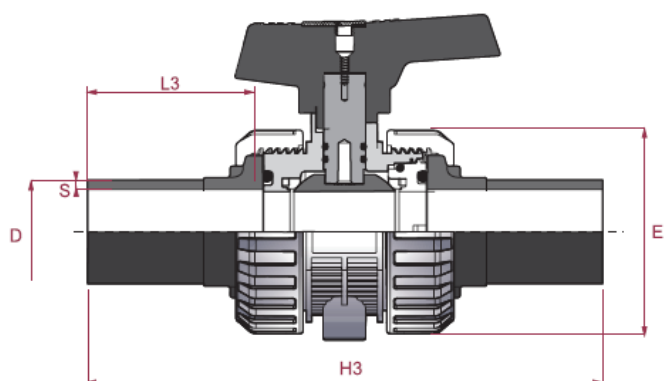
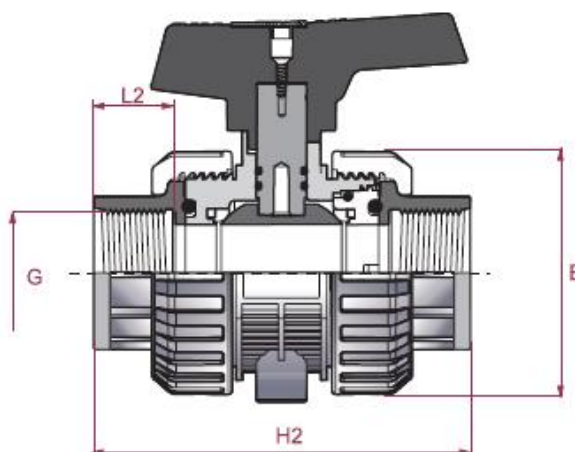
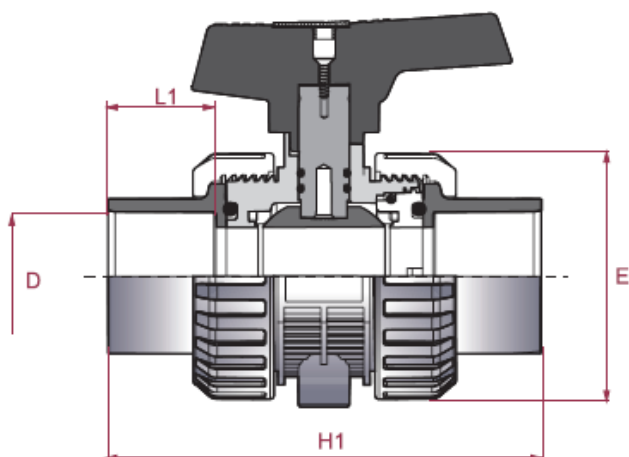
- Isolating Flow in Liquid Systems
- 1/2" to 3", D20-D90
- PTFE Ball Seats
- Threaded BSP, Solvent Socket-Metric
- Lockable Lever
- EN ISO 16135, CE.
- Fully Maintainable

Specification

Pressure range	D16 - D63 (3/8"-2"): PN16 (240 PSI) D75 - D90 (2 1/2" - 3"): PN10 (150 PSI)
Size	Threaded 1/2" to 3" Solvent Cement D20 - D90 (D10 - D80)
Temperature range	For Working Pressure 20°C (73°F)
Movement	90 deg turn
Cycle life	1,000,000 operations
Diameter Class	Full Port - Antiblock System
Ball Seats	PTFE
O-Rings	EPDM / FPM
End Connections	BSP
	NPT
	Solvent Socket Metric
	Solvent Socket ASTM
Standards for connections	ENISO 1452, EN ISO 15493, BS 4346-1, ASTM D 2467, ISO 228-1, ASTM D 2464



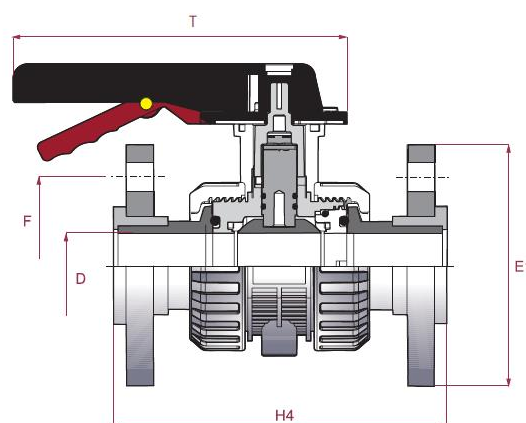
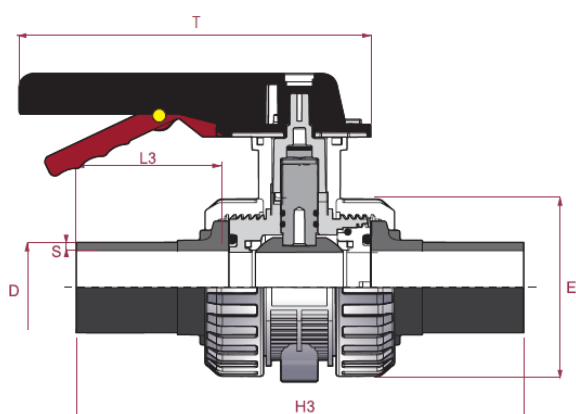
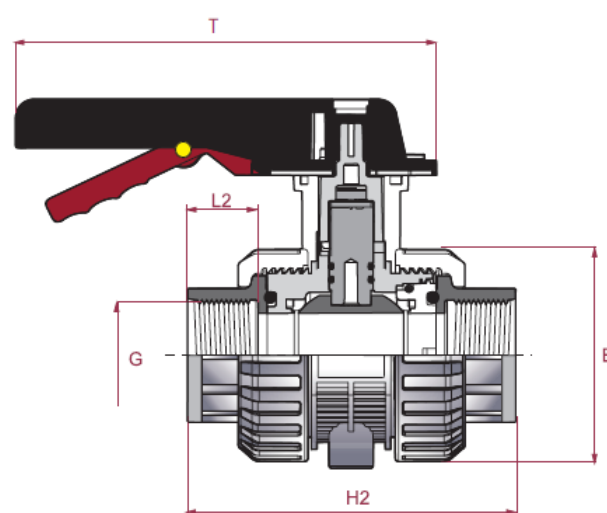
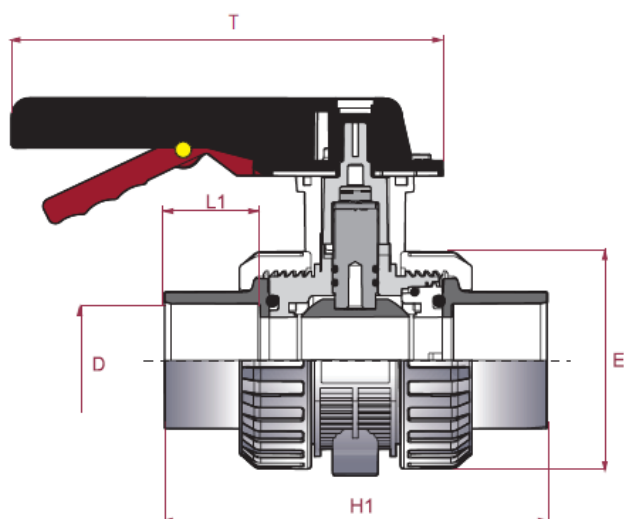
**Body
Materials**
PVC-U
PVC-C
PP-H
PVDF
ABS



Dimensions

DN	D-G	L1 SOLVENT	L1 THREADED	L1 FUSION	L2	L3	H1 PVC-U/CPVC/ABS	H1 PP-H/PVDF	H2	H3	H4	E	E1	F	S
DN10	16 - 3/8"	15.5	8.5	14.5	13		102	101	87			50			
DN15	20 - 1/2"	17	13.5	15.5	16	45	102	101	87	170	130	50	95	65	2.3
DN20	25 - 3/4"	20	15.5	17	19	57	120	118	101	190	150	61	105	75	2.3
DN25	32 - 1"	23	18.5	19	22	50	139	136	122	205	160	70	115	85	3
DN32	40 - 1 1/4"	27.5	20	21.5	26	51	156	151	135	226	180	81	140	100	3.7
DN40	50 - 1 1/2"	32	20	24.5	31	61	170	165	149	250	195	96	150	110	4.6
DN50	63 - 2"	39.5	24	28.5	38	69	197	190	174	296	223	118	165	125	5.8

All information is sourced from our manufacturer's data and is intended for guidance only - Valves Online can accept no liability for changes, omissions or errors.



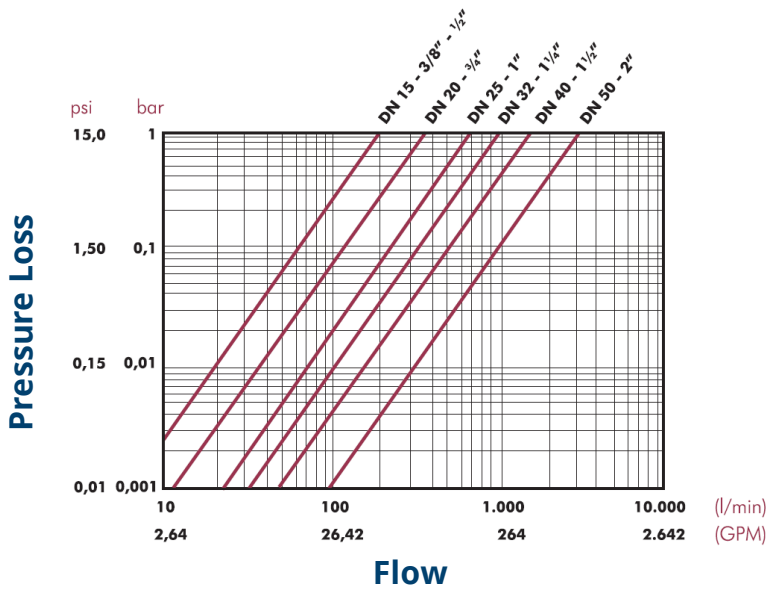
Dimensions

DN	D-G	L1 SOLVENT	L1 THREADED	L2	L3	H1	H2	H3	H4	E	E1	F	S
DN65	75 - 2 1/2"	45	27	44	76	238	216	324	190	146	185	145	6.8
DN80	90 - 3"	53	30	51	85	278	256	366	310	176	200	160	8.2

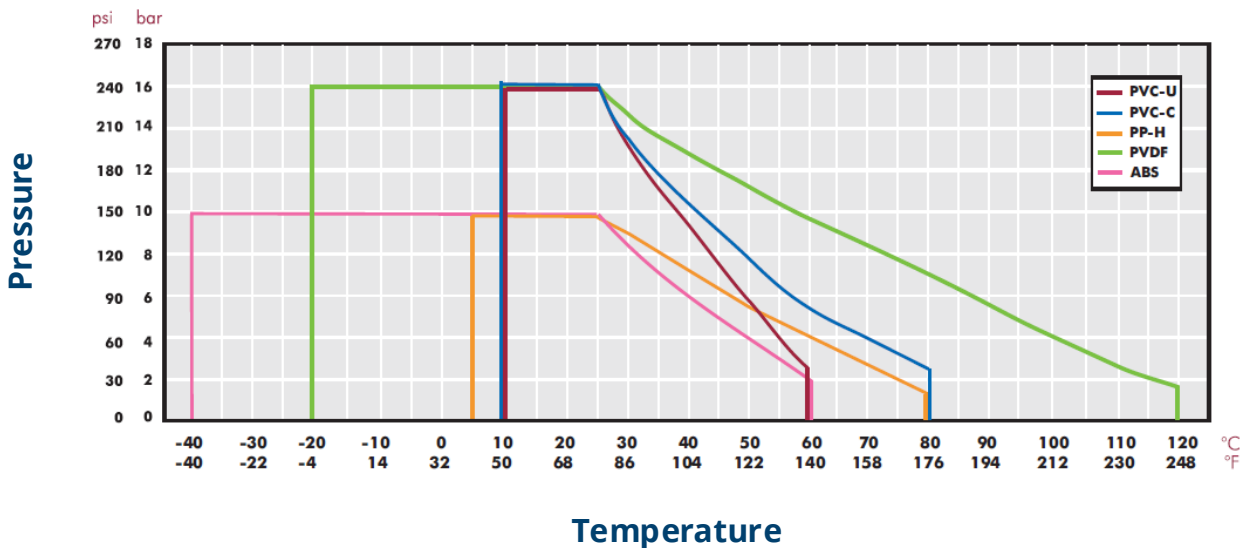
Torque and Flow Chart

Size	D	16-3/8"	20-1/2"	25-3/4"	32-1"	40-11/4"	50-11/2"	63-2"	75-21/2"	90-3"
	DN	10	15	20	25	32	40	50	65	80
Flow	Kv	75	190	380	690	980	1600	3000	5500	6800
	CV	5.3	13.3	26.6	48.3	68.6	112	210.1	385.2	476.2
Torque	Nm	1	1	2	3.5	3.5	5	15	25	45

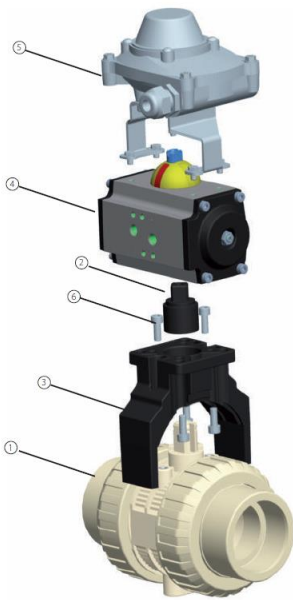
$Cv = Kv100 / 14,28$
 Kv100 (l/min, >p = 1 bar)
 Cv (GPM, >p = 1 psi)



Pressure - Temperature



All information is sourced from our manufacturer's data and is intended for guidance only- Valves Online can accept no liability for changes, omissions or errors.



PNEUMATIC AND ELECTRIC ACTUATION

All the Extreme Series range of ball valves are actuatable using our VOLT actuators.

Pneumatic are available in:

- Spring return (normally closed)
- Spring return (normally open)
- Double Acting

Optional Accessories

- Limit Switch box
- Solenoid pilot
- Position controllers

Electric are available in:

- Power open power closed
- Fail safe battery (close on loss of power)
- Modulation motor
- ATEX Eexd

Actuator Exploded

1	Body	Select Mat.
2	Coupling Bush	Aluminium
3	Mounting Clamp	PVC-U
4	Actuator	Aluminium/Stainless Steel
5	Limit switch box	Optional
6	Screws	St St 304



PA 5548/9



EA 5548/9