

PN16 Flanged Stainless Steel Ball Valve.

- Stainless Steel Ball Valve
- 1/4" to 4" (DN15-DN100)
- Body ASTM A351 CF8M
- Seat Options TFM 1600/4215 Seat
- Flanged PN16
- Direct Mount with Lockable Lever
- Fire Safe Design API607 5th Edition
- Anti-Static Device
- Fully Maintainable

Description

The VOLT 2 Piece 2/2 way full bore ball valve is used to isolate process pipelines. The valve is a well proven ball valve designed to industry Standards. It comprises of an investment cast body in ASTM A351 CF8M stainless steel with options of both TFM 1600 or 4215 sealing. The valve finds wide use in fluid media while offering higher cycle life with reduced torque. The self-adjusting packing gland consists of dual sealing with an alignment collar for superior tightness. The valve is ideally suited for open/closed operation and Isolation, both manually or actuated vis an ISO 5211 mounting plate Maintenance, of this valve allows the removal the of all seals with just four bolts. The Valve offers the Kv and pressure drop similar to that of an open line. An antistatic device is fitted and the valve is fire safe designed to API 607 5th Edition.

Design Advantages

An economical ball valve that offers high performance that's is usually associated with much more expensive valves.

Blow - out proof stem

Prevents stem blowing out for maximum safety.

Easy in line maintenance

ATEX Approved

Repair Kits Readily Available



Description

This valve is the most popular valve in our flanged range, offering reliability and cost effectiveness. PN16 flanged full bore, CF8M stainless steel body with ISO Top works. Lockable lever operated and a choice of TFM seats. Sizes range from 1/2" up to 4".



Beschreibung

Dieses Ventil ist das beliebteste Ventil in unserem Flanschsortiment und bietet Zuverlässigkeit und Wirtschaftlichkeit. PN16 Flansch mit vollem Durchgang, CF8M Edelstahlgehäuse mit ISO Top funktioniert. Abschließbare Hebelbedienung und eine Auswahl an TFM-Sitzen. Die Größen reichen von 1/2" bis 4".



Descripción

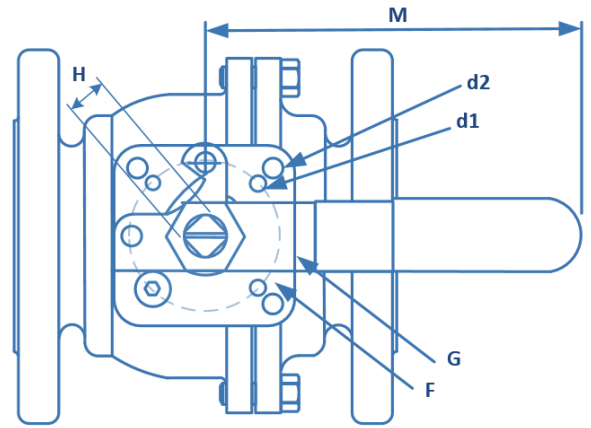
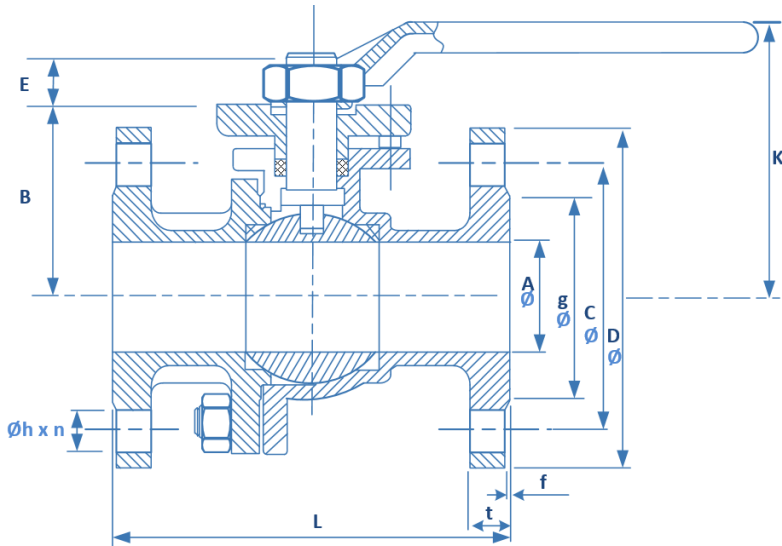
Esta válvula es la más popular de nuestra gama de bridas, y ofrece fiabilidad y rentabilidad. PN16 con bridas de paso total, cuerpo de acero inoxidable CF8M con ISO Top funciona. Palanca bloqueable operada y una selección de asientos TFM. Los tamaños van desde 1/2" hasta 4".



Description

Cette vanne est la vanne la plus populaire de notre gamme à brides, offrant fiabilité et rentabilité. Corps en acier inoxydable à bride PN16 à passage intégral, CF8M avec ISO Top fonctionne. Levier verrouillable actionné et un choix de sièges TFM. Les tailles vont de 1/2" à 4".

BV5505



Dimensions PN16 (mm)

Size	A	B	E	L	H	K	M	F	G	d1	d2
1/2"	15	48	11	115	9	80	130	36	42	6	6
3/4"	20	53	11	120	9	80	130	36	42	6	6
1"	25	59	14	125	11	90	165	42	50	6	7
1 1/4"	32	71	14	130	11	102	165	42	50	6	7
1 1/2"	38	76	18	140	14	110	205	50	70	7	9.2
2"	50	85	18	150	14	120	205	50	70	7	9.2
2 1/2"	65	93.5	23	170	17	140	300	70	102	9.2	11.4
3"	80	103	23	180	17	150	340	70	102	9.2	11.4
4"	100	132	25	190	22	180	420	102	125	11.4	13.5

Flange Dimensions PN16 (mm)

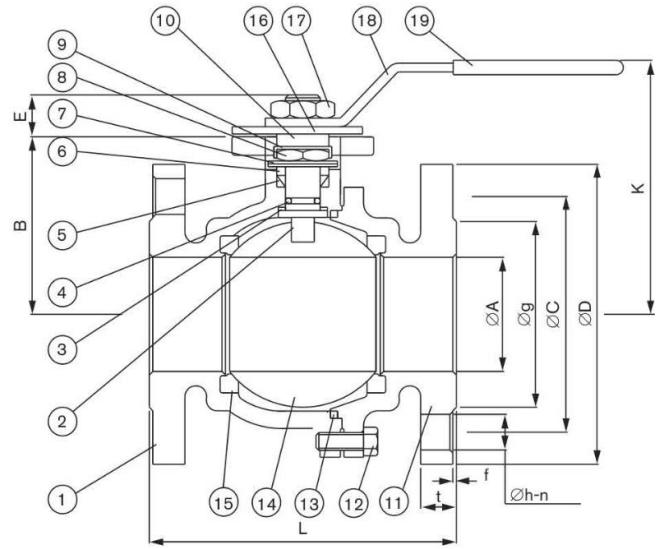
Size	D	C	h	N	t	g	f	Wt (Kg)
1/2"	95	65	14	4	14	45	2	2.13
3/4"	105	75	14	4	16	58	2	2.85
1"	115	85	14	4	16	68	2	3.72
1 1/4"	140	100	18	4	16	78	2	5.32
1 1/2"	150	110	18	4	16	88	3	6.96
2"	165	125	18	4	18	102	3	9.68
2 1/2"	185	145	18	4	18	122	3	13.79
3"	200	160	18	8	20	138	3	17.53
4"	220	180	18	8	20	158	3	25.62



**Carbon Steel Versions
in ASME 150 and PN16**

All information is sourced from our manufacturer's data and is intended for guidance only - Valves Online can accept no liability for changes, omissions or errors.

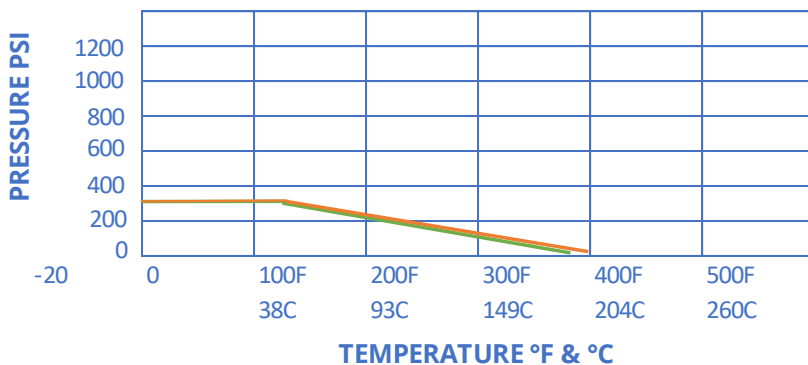
Material List		
NO.	Parts	Materials
1	Body	CF8M
2	Stem	CF8M
3	Thrust washer	RPTFE
4	O Ring	PTFE
5	Stem packing	PTFE
6	Gland	SUS304
7	Disc Washer	SUS301
8	Stem Nut	SUS304
9	Nut Stop	SUS304
10	Washer	SUS304
11	Flanged End	CF8M/WCB
12	Bolt	SUS304
13	Gasket	PTFE
14	Ball	SUS316
15	Ball seat	TFM 1600/4215
16	Stopper Plate	SUS304
17	Handle Nut	SUS304
18	Handle	SUS304
19	Sleeve	PLASTIC
20	Stop Pin	SUS304
21	Set Bolt	SUS304
22	Lever Head	CF8M
23	Pipe Handle	STEEL PIPE



Technical Data	PN16
Valve Size	1/2"-4" (DN15-DN100)
Design	EN 12516-1
Body material	DIN 1.4408
Ball seal material	TFM 1600/4215
Face to Face	DIN 3202 F4
Flange Connection	DIN 2633
Pressure Rating	16 Bar
Mounting	ISO 5211 Direct Mount
Seat	PTFE

Pressure - Temperature Limits

SIZE 1/4" - 2"



TFM 1600

TFM 4215

All information is sourced from our manufacturer's data and is intended for guidance only - Valves Online can accept no liability for changes, omissions or errors.