



3000 PSI High Pressure, Stainless Steel 2 Piece Ball Valve

- CF8M Stainless Steel Body
- ISO 5211 Mounting Pad
- Screwed BSP (NPT on Request)
- 3000 PSI (PN250) Pressure Rating
- - 25°C to 80°C
- Supplied with Lever Handle
- ATEX Approved

Description

This 2 Piece Stainless steel Full Bore Ball Valve offers rugged reliability over a range of high pressure applications. Offered in screwed BSP end connections, the valve is investment cast in ASTM A315 CF8M Stainless Steel. For manual operation the valve is supplied with a lockable and insulated lever, however for automation the valve is easily actuated due to the ISO5211 mounting pad. The valve has a maximum pressure rating of 3000 PSI and working temperatures of - 25°C up to 80°C. Typical uses are on high pressure liquid and gas applications (excluding Oxygen). The valve is firesafe design and full Test and Material certificates are available.



Description

A High Pressure 2 Piece full bore ball valve offered in ASTM A351 CF8M Stainless Steel. Maximum pressure 3000 PSI, lever operated and screwed BSP. Easily actuated via the unique ISO5211 mounting pad (ask for more information). Suitable for industrial, oil, gas and petrochemical industries.



Beschreibung

Ein zweiteiliger Hochdruck-Kugelhahn mit vollem Durchgang, angeboten in Edelstahl ASTM A351 CF8M. Maximaler Druck 3000 PSI, hebelbetätigt und verschraubt BSP. Einfache Betätigung über das einzigartige ISO5211-Montagepad (fragen Sie nach weiteren Informationen). Geeignet für die Industrie-, Öl-, Gas- und petrochemische Industrie.



Descripción

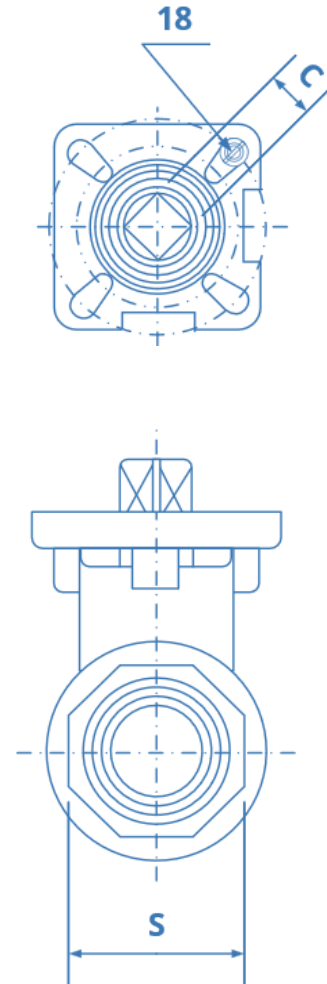
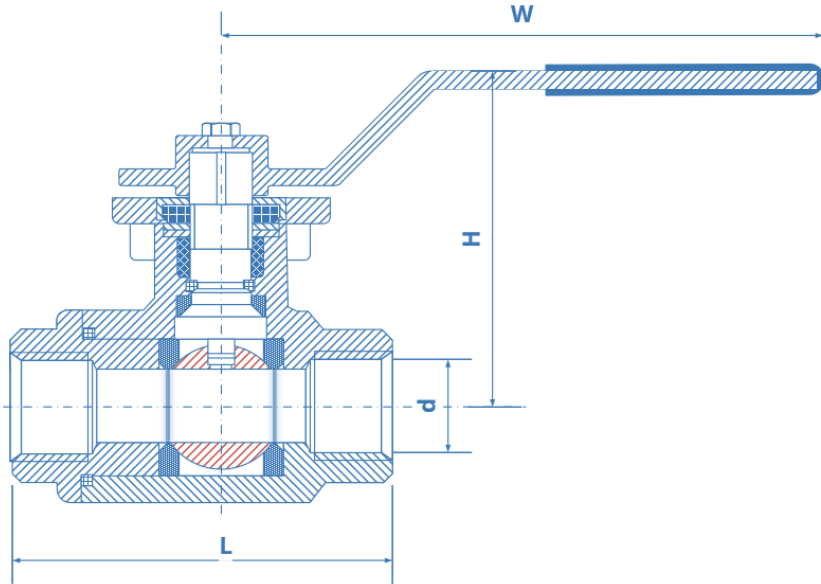
Una válvula de bola de paso total de 2 piezas para alta presión que se ofrece en acero inoxidable ASTM A351 CF8M. Presión máxima 3000 PSI, accionada por palanca y atornillada BSP. Se acciona fácilmente a través de la placa de montaje única ISO5211 (solicite más información). Adecuado para industrias industriales, petroleras, de gas y petroquímicas.



Description

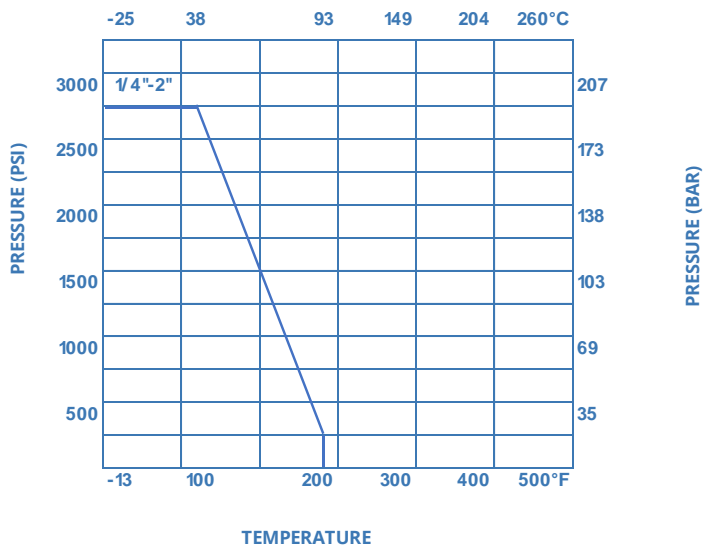
Un robinet à boisseau sphérique à passage intégral haute pression 2 pièces offert en acier inoxydable ASTM A351 CF8M. Pression maximale 3000 PSI, actionné par levier et vissé BSP. Facilement actionnable via le support de montage unique ISO5211 (demandez pour plus d'informations). Convient aux industries industrielles, pétrolières, gazières et pétrochimiques.

BV5184



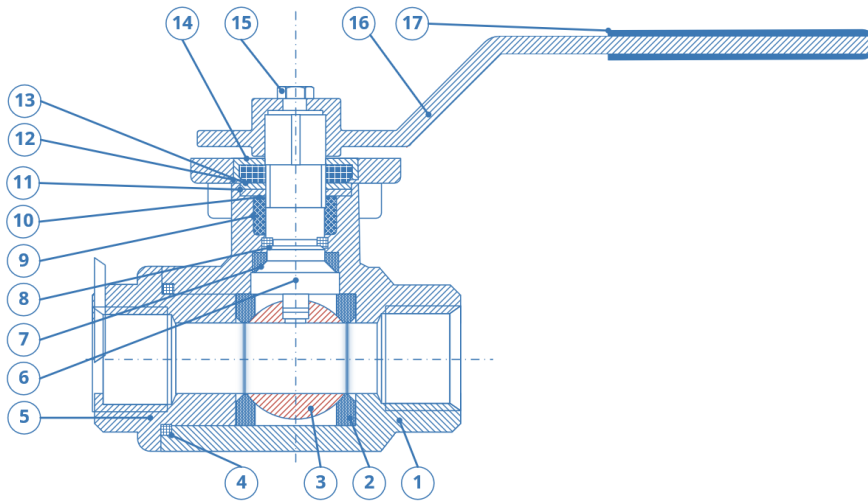
DIMENSIONS

Size	d	L	H	W	C	S	ISO 5211	Kgs
1/4"	9.7	75	70	133	9	26	F03/F04	0.8
3/8"	9.7	75	70	133	9	26	F03/F04	0.78
1/2"	12.7	75	70	133	9	30	F03/F04	0.76
3/4"	17.5	81	72	133	9	38	F03/F04	1
1"	22.1	91	83	165	11	46	F04/F05	1.56
1 1/4"	29	110	90	165	11	59	F04/F05	2.44
1 1/2"	34.7	121	114	210	14	66	F05/F07	3.62
2"	34.7	145	114	210	14	75	F05/F07	4.76



All information is sourced from our manufacturer's data and is intended for guidance only - Valves Online can accept no liability for changes, omissions or errors.

BV5184



Item	Part	Material	Quantity
1	Body	CF8M	1
2	Body seat	Delrin	2
3	Ball	SS316	1
4	Body Gasket	R-PTFE (15%)	1
5	Cap	CF8M	1
6	Stem	SS316	1
7	Thrust Washer	R-PTFE (15%)	1
8	O Ring	Viton	1
9	Stem Packing	R-PTFE (15%)	1
10	Stem Ring	SS316	1
11	Belleville Washer	SS301	2
12	Nut Stopper	SS304	1
13	Nut Stopper	SS304	1
14	Plate Washer	SS304	1
15	Bolt	SS304	1
16	Handle	CF8M	1
17	Plastic Cover	Plastic	1
18	Stop Pin	SS304	1

All information is sourced from our manufacturer's data and is intended for guidance only - Valves Online can accept no liability for changes, omissions or errors.