

## Ductile Iron Flanged Ball Valve, PN6 Direct Mount

- Direct Mount – ISO 5211
- Flanged PN6
- Brass Ball and Stem
- -10° C to 100° C
- Lever Operated (Gearbox Option)
- PN16 Rated
- RPTFE Seats, NBR O-Rings
- DIN 3202 F4 Face to Face
- ½" - 8"

### Description

A Ductile Iron, Split Bodied Flanged PN6, raised face ball valve, with RPTFE Seats, NBR O-Rings. Brass Ball and Stem. Steel Lever Operator. Face to Face DIN 3202 F4. Temperature -10° C to 100° C PN 16 Pressure Rated. Body Epoxy Coated.

- Suitable for Non Hazardous fluids.
- Not suitable for Steam or Compressed air.

- **OPTIONAL EXTRAS**
- **Locking Device**
- **Gearbox**
- **Cap Top**
- **Stem extension**
- **Handle Extension**



### Description

A robust and reliable flanged ball valve for fitting in between PN6 flanges. Body material in Ductile Iron with a Brass Ball & Stem. Seats RPTFE and NBR O Rings. PN16 Rated. Manual lever handle operated. This valve offers bubble tight shut off for a wide range of applications including Gas, Air Water and Oil.



### Beschreibung

Ein robuster und zuverlässiger Flansch-Kugelhahn zum Einbau in PN6-Flansche. Körpermaterial aus duktilem Eisen mit einer Messingkugel und einem Stiel. Sitze RPTFE und NBR O-Ringe. PN16 bewertet. Handhebel betätigt. Dieses Ventil bietet eine blasendichte Absperrung für eine Vielzahl von Anwendungen, einschließlich Gas, Luft, Wasser und Öl.



### Descripción

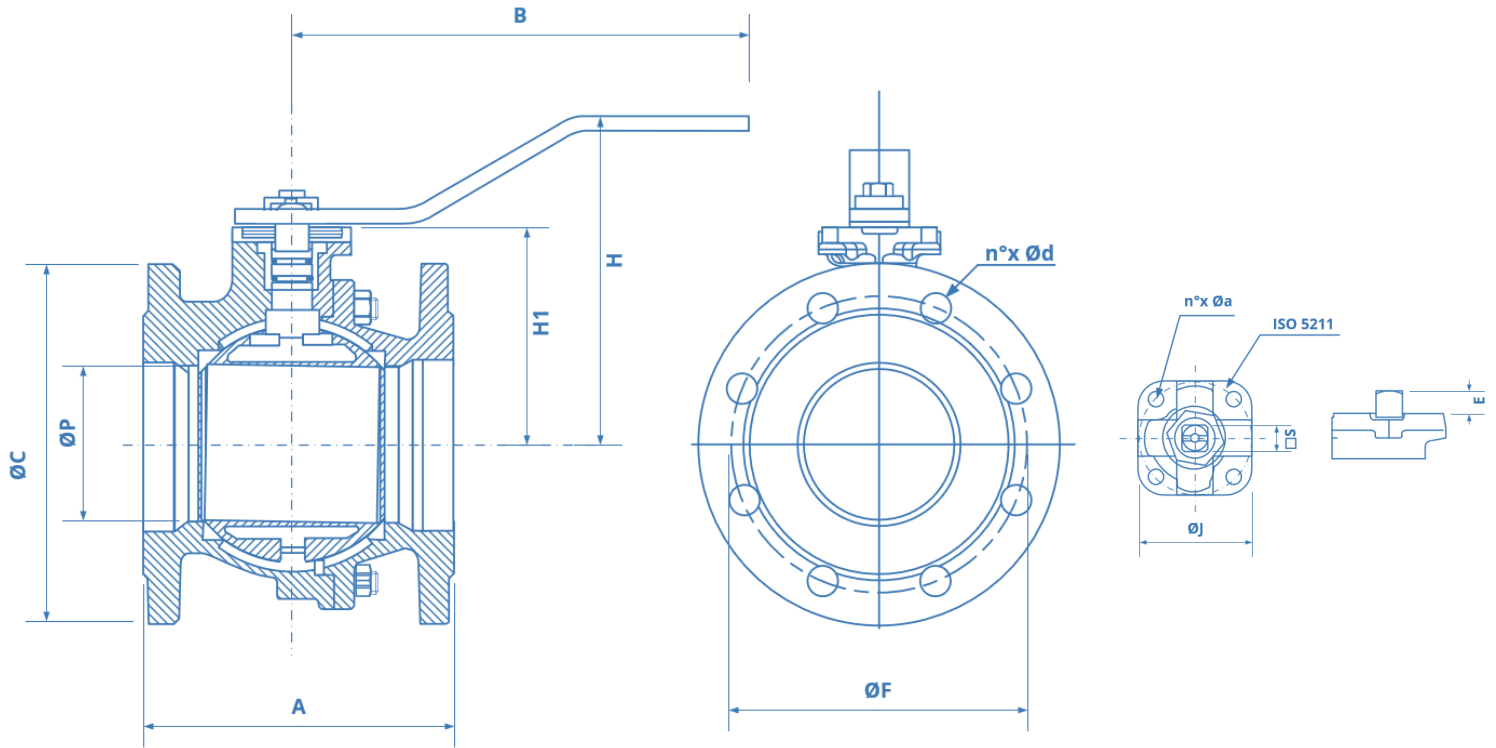
Una válvula de bola bridada robusta y confiable para encajar entre bridas PN6. Material del cuerpo en hierro dúctil con vástago y bola de latón. Asientos RPTFE y NBR O Rings. PN 16 Clasificado. Mango de palanca manual accionado. Esta válvula ofrece un cierre hermético a las burbujas para una amplia gama de aplicaciones que incluyen gas, aire, agua y aceite.



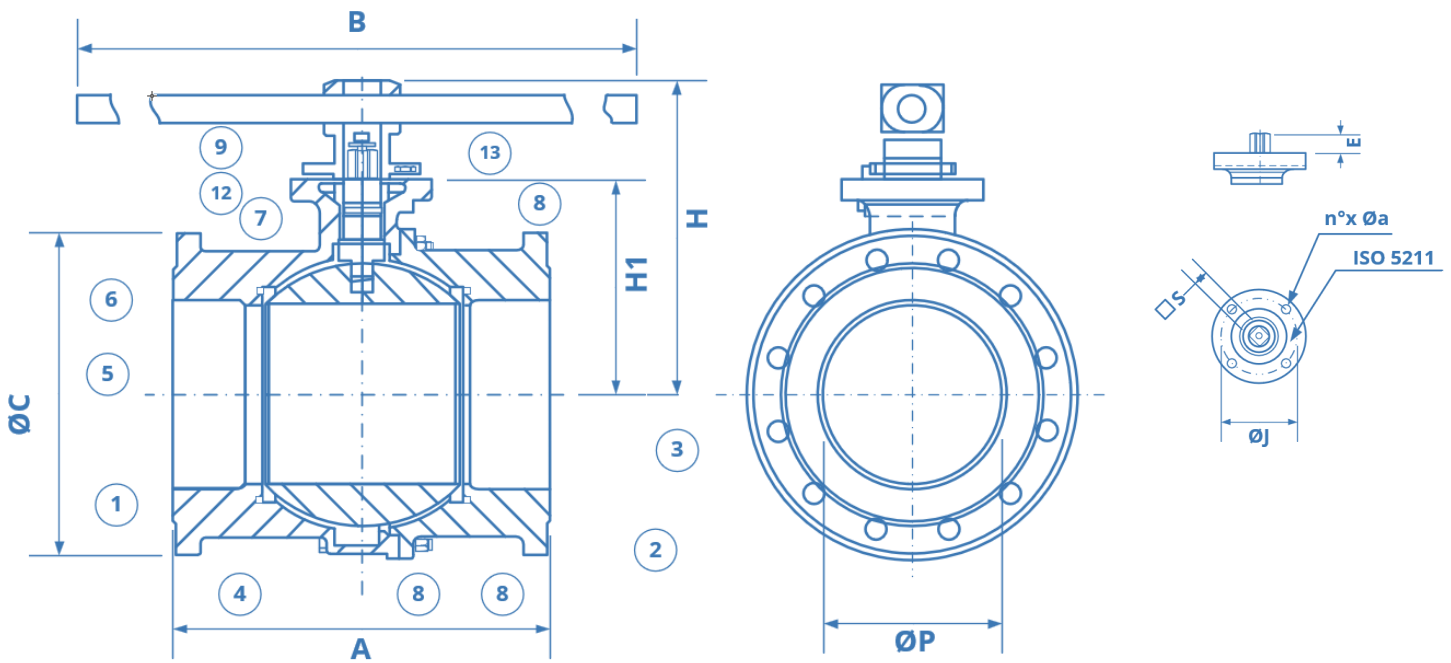
### Description

Robinet à boisseau sphérique à brides robuste et fiable pour montage entre brides PN6. Matériau du corps en fonte ductile avec une boule et une tige en laiton. Sièges joints toriques en RPTFE et NBR. Classé PN16. Levier à levier manuel actionné. Cette vanne offre une fermeture étanche aux bulles pour une large gamme d'applications, notamment le gaz, l'air, l'eau et l'huile.

## 1/2" to 6" Dimensional Drawing



## 8" Dimensional Drawing



# BV5144

Valves are shut-off ball valves split-body type in ductile iron and floating ball, manufactured according to the severe product standards and the quality management relative to ISO 9001.

Suitable for heating and conditioning (HVAC), district heating, distribution and treatment of water, industrial application, agricultural application, for compressed air processing, for oils and hydrocarbon.

## Material List

No	Name of Parts	Materials
1	Body	EN GJS 400-15
2	Flange	EN GJS 400-15
3	Ball	CuZn40Pb2 Chrome Plated Brass
4	Ball seat	Reinforced PTFE
5	Stem	CuZn40Pb2 Brass
6	Sliding Washer	PTFE
7	Ring	CuZn40Pb2 Brass
8	O-Ring	NBR
9	Lever	Carbon Steel Epoxy Coated
10	Stop Plate	Galvanised Carbon Steel
11	Spring Washer	Galvanised Carbon Steel

## Pressure / Temperature Ratings

Pressure	16 Bar
Temperature	-10°C to +100°C

## Drilling PN6 EN1092/2

Dimensions shown are for guidance only

\*In order to choose the correct actuator, we recommend multiplying the Nm figure by a safety factor of 1.5

## Dimensions

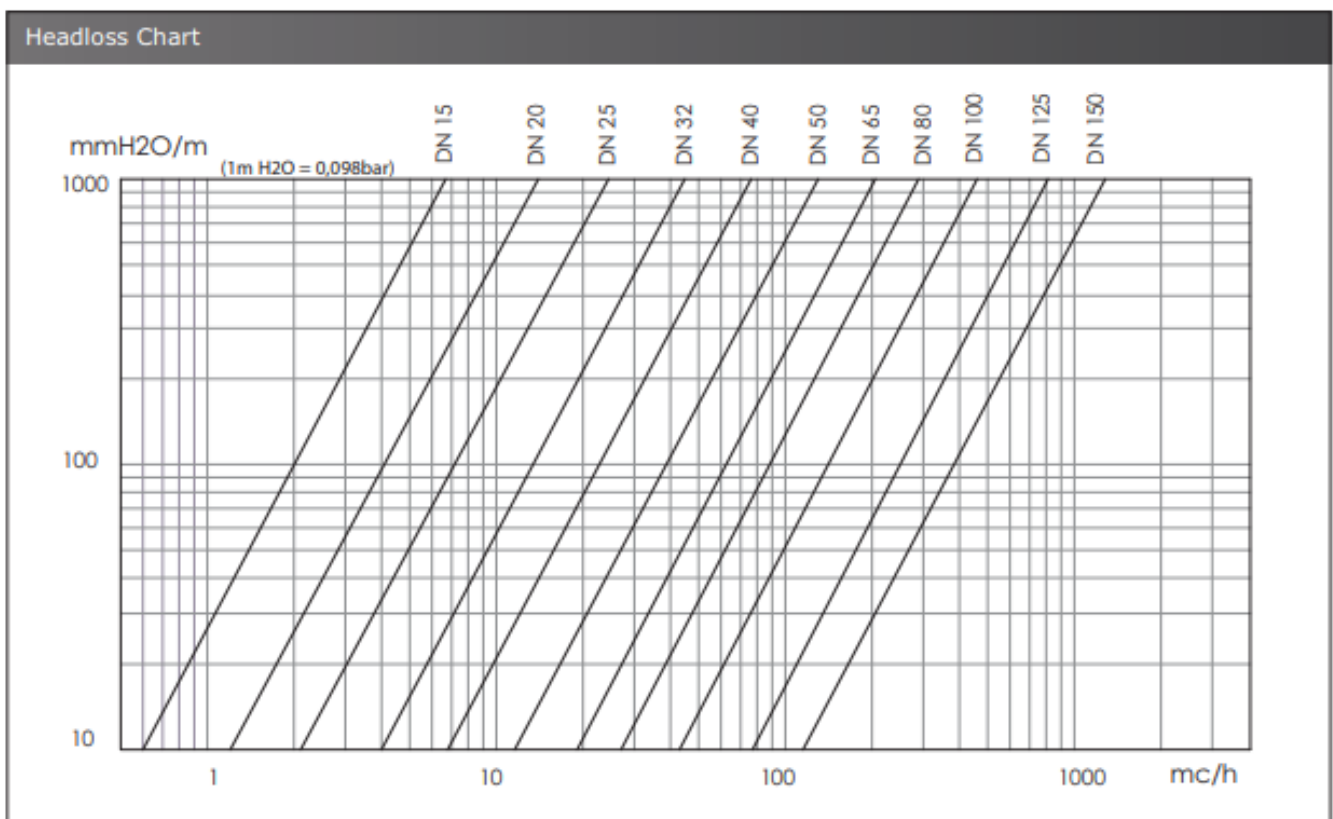
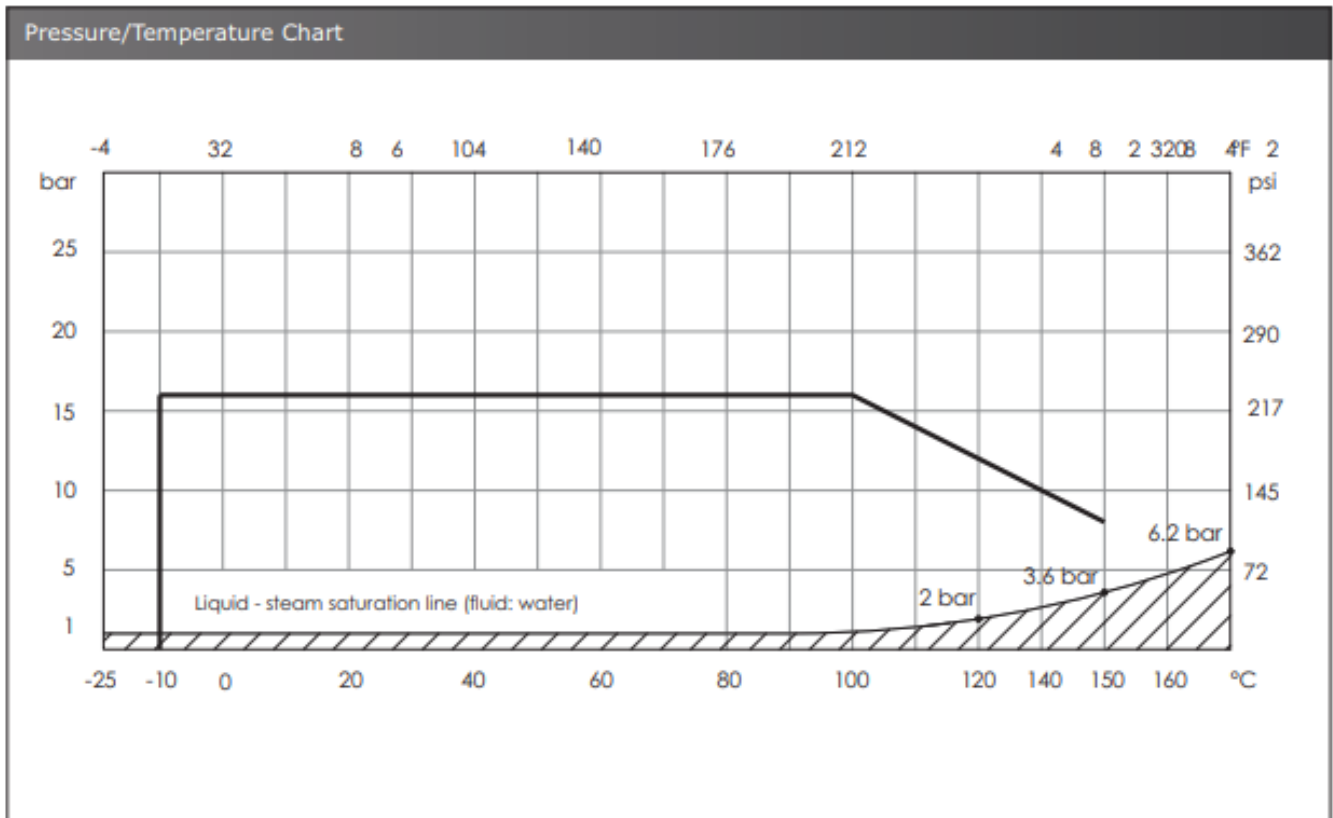
Size	P	A	H	H1	B	C	ISO	J	n X q	E	S	Kg	Nm
1/2"	15	115	84	50.5	160	95	F04	42	4 x 6	11.5	9	2.6	15
3/4"	20	120	84	52	160	105	F04	42	4 x 6	11.5	9	3.3	15
1"	25	125	96	59	170	115	F04	42	4 x 6	14.5	11	4.2	18
1 1/4"	32	130	101	64	170	140	F04	42	4 x 6	14.5	11	5.8	18
1 1/2"	40	140	125	78.5	230	150	F05	50	4 x 7	17.5	14	7.5	18
2"	50	150	135	87	230	165	F05	50	4 x 7	17.5	14	9	20
2 1/2"	63	170	143	95	230	185	F05	50	4 x 7	17.5	14	10.5	40
3"	76	180	165	118	280	200	F07	70	4 x 9	20	17	15.5	70
4"	95	190	180	132.5	360	220	F07	70	4 x 9	20	17	18.5	100
5"	120	200	225	165	450	250	F10	102	4 x 11	24.5	22	28	190
6"	145	210	243	182.5	560	285	F10	102	4 x 11	24.5	22	38.5	250

**YES:** for installation in line and end of line, for services with frequent acting, the integrated ISO 5211 support allows the installation of a wide range of actuators.

This range of ball valves are full and straight bore reducing turbulences and minimizing head loss.

**NO:** for steam, for choking and flow regulation.

1. Inside and outside epoxy coating, high temperature resistant. Environmentally friendly, water-based paint.
2. Integrated flange, in accordance with ISO 5211.
3. Removing and repositioning of the plate at 90° allows locking of the valve in ON-OFF position.
4. The dynamic seal of the stem is guaranteed by a double O-ring, even in severe working conditions.
5. Blow-out proof stem.
6. Seat of ball in reinforced PTFE, as temperature changes, the torque remains constant.
7. Ball with full and straight bore, in chromed brass or stainless steel.



All information is sourced from our manufacturer's data and is intended for guidance only - Valves Online can accept no liability for changes, omissions or errors.