



Series 99 Wafer Pattern PN16/40 Stainless Steel Ball Valve

- Available in sizes 1" - 4"
- Temperature range: -20 °C to 180°C
- Insulated grip, lockable lever handle
- ATEX 94/9/EC approved
- Full Port

Description

Our Mars Ball Valve Series 99 Wafer Pattern, Offered in sizes ranging from ½" to 4". Flanged PN16/40 and suitable for both industrial and chemical applications in safe and hazardous environments. A one piece full bore, high performance ATEX approved ball valve with Stainless Steel body, 50% SS +PTFE ball seat, 25% glass + PTFE filled gland packing and neck seals and ISO mounting top.

Benefiting from a one piece design the Mars Series 99 is ATEX 94/9/EC approved, fitted with an antistatic spring loaded 'stem-to-ball' and 'stem-to-body' fitted as standard. Supplied complete with lever operator. Options include V Sector ball, TFM 1600 and Metal seats.

**Compliance with DIN 3337, DIN 3202
BS5351, BS6755**

CE marked with PED/9723/EC

FDA

TA-Luft

ATEX 94/9

EX II 2 GD

Meets NACE MR-0175 Specification



Description

Series 99 compact pattern wafer type ball valve. Full bore in stainless steel, constructed of a one piece body having RPTFE seats. The valve has raised mount ISO pad and square stem top for direct actuation.



Beschreibung

Serie 99 Kompakt-Kugel-Kugelhahn. Voller Durchgang aus Edelstahl, hergestellt aus einem einteiligen Körper mit RPTFE-Sitzen. Das Ventil hat eine ISO-Platte und einen Vierkantschaft für eine direkte Betätigung.



Descripción

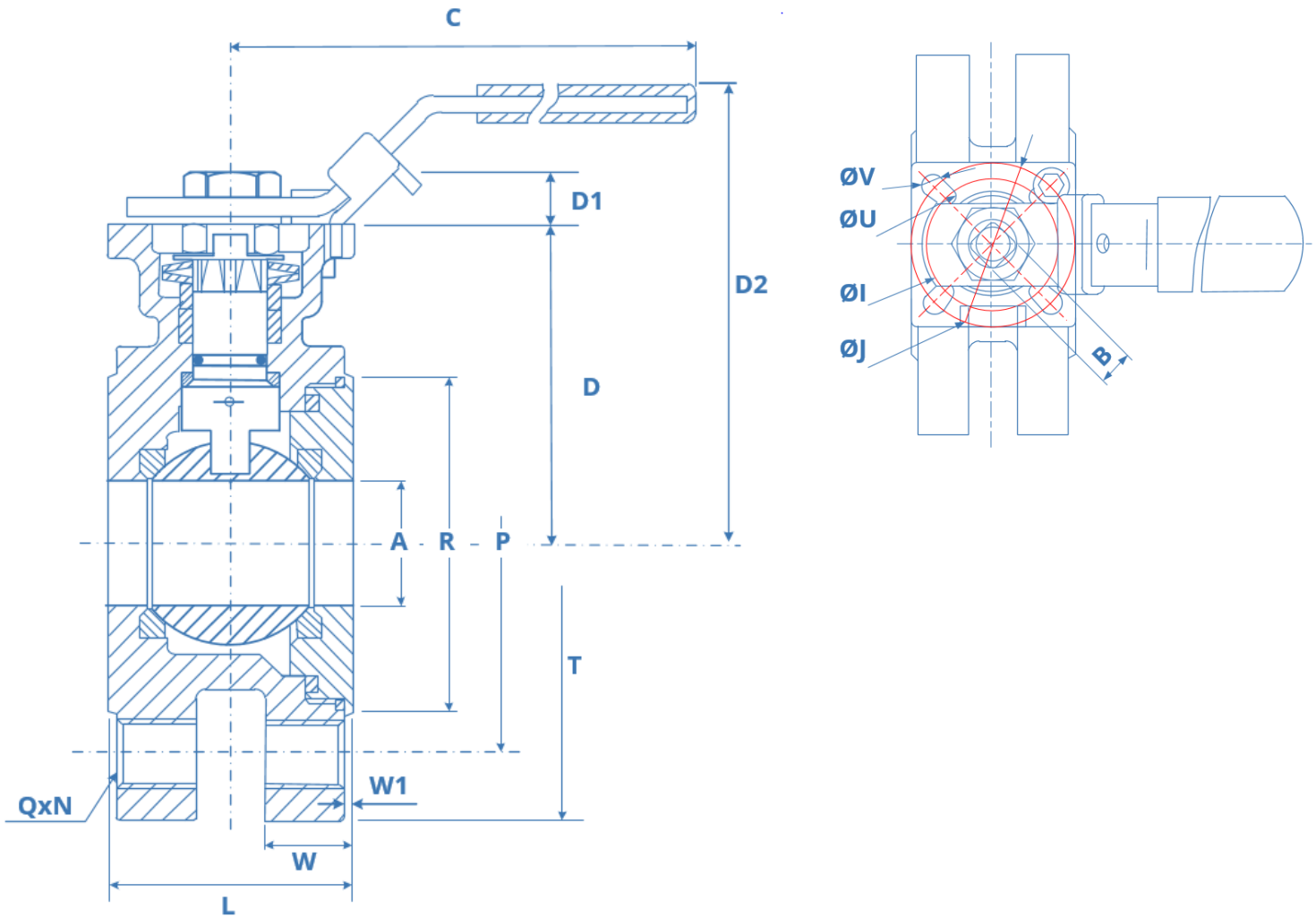
Válvula de bola tipo oblea de patrón compacto Serie 99. Taladro completo en acero inoxidable, construido con un cuerpo de una sola pieza con asientos RPTFE. La válvula tiene una almohadilla ISO de montaje elevado y la parte superior del vástago cuadrado para un accionamiento directo.



Description

Vanne à boisseau sphérique de type compact série 99. Alésage intégral en acier inoxydable, constitué d'un corps monobloc avec sièges RPTFE. La soupape a un support ISO surélevé et un dessus de tige carré pour un actionnement direct.

BV5123



Dimensions 99-20 (PN16/40)

Size	A	B	C	D	D1	D2	I	J	L	N	P	Q	R	T	W	W1	U	V	WT	ISO5211
1/2"	15	9	139	48.7	7	85	36	42	40.8	4	65	M12	45	82	16	2	6	6	1.3	F03/F04
3/4"	20	9	139	53.7	8	90	36	42	44	4	75	M12	58	98.6	18	2	6	6	1.96	F03/F04
1"	25	11	165	65	12	104	40	50	50	4	85	M12	68	115	18	2	6	7	2.8	F04/F05
1 1/4"	32	11	165	77	11.3	116	40	50	60	4	100	M16	78	140	18	2	6	7	4.15	F04/F05
1 1/2"	38	14	215	85.5	15.5	135	50	70	65	4	110	M16	88	150	18	3	7.5	9	5.25	F05/F07
2"	50	14	215	93	16	142	50	70	80	4	125	M16	102	165	20	3	7.5	9	6.66	F05/F07
2 1/2"	65	17	263	110	15.8	168	70	102	110	8	145	M16	122	185	22	3	10	12	11.88	F07/F10
3"	80	17	313	120	16	178	70	102	120	8	160	M16	138	200	24	3	10	12	14.9	F07/F10

Pressure / Temperature Ratings

Temperature Range	-10°C to 180°C
Max Pressure	PN16/40

Note!

1/2" - 2" are 2 Piece
2 1/2" - 3" are 3 Piece

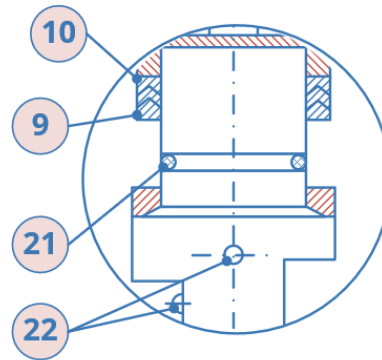
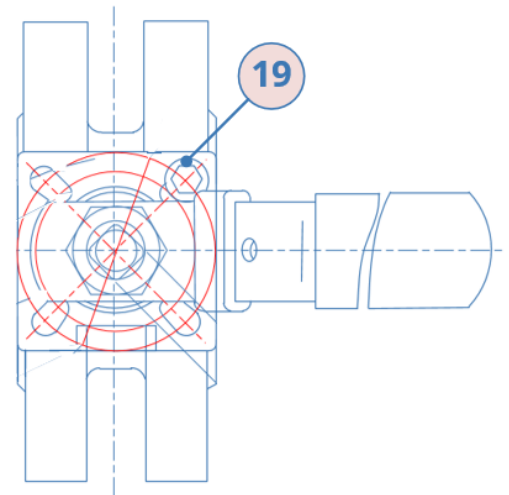
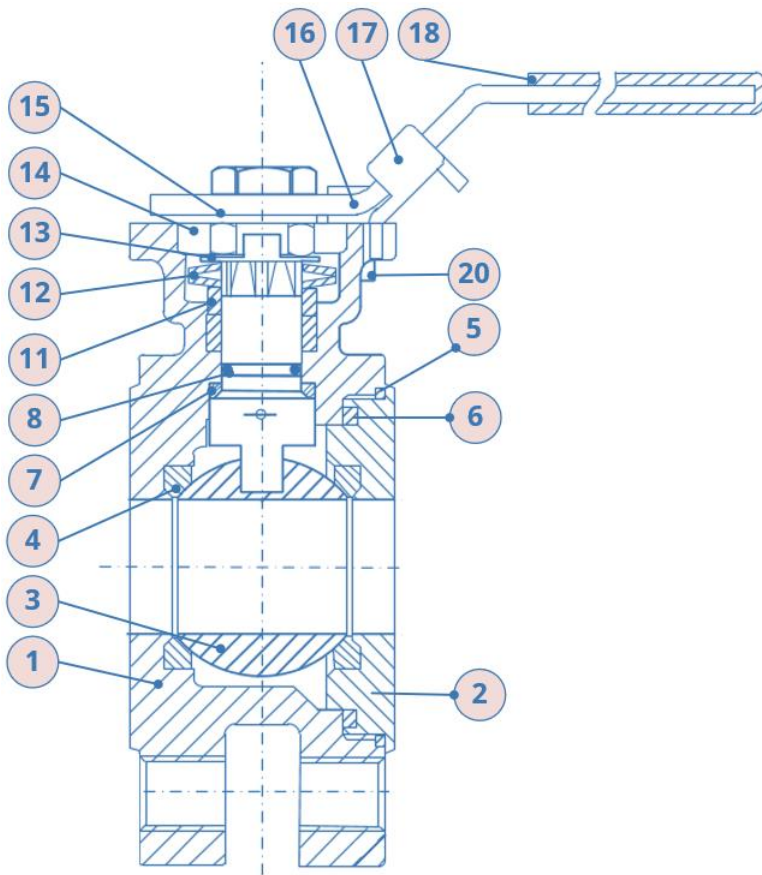


V-Control

Supplied in 30°V, 60°V and 90°V these segmented balls offer an excellent alternative for modulation service to globe valves. Please ask for more information.

All information is sourced from our manufacturer's data and is intended for guidance only - Valves Online can accept no liability for changes, omissions or errors.

BV5123



No	Part Name	Material
1	Body	1.4408
2	End Cap	1.4408
3	Ball	316 ST ST
4	Ball Seat	50% SS + PTFE
5	Joint Gasket	PTFE
6	Joint Gasket	PTFE
7	Stem Seal	RPTFE
8	Stem	SUS 316
9	Gland Packing	25% Glass Fibre Filled + PTFE
10	Gland Packing	25% Glass Fiber Filled + PTFE
11	Gland Bush	SUS 304
12	Beleville Washer	SUS301
13	Stop Washer	SUS304
14	Stem Nut	SUS304
15	Stem Washer	SUS 304
16	Handle	SUS304
17	Lock device	SUS 304
18	Handle Sleeve	Vinyl
19	Stop Pin	SUS 304
20	Pin Nut	SUS 304
21	O-Ring	Viton
22	Anti-Static Device	SUS 304

Torque		
Inch	DN	Nm
1/2"	15	5
3/4"	20	7
1"	25	16
1 1/4"	32	18
1 1/2"	40	29
2"	50	36
2 1/2"	65	60
3"	80	74
4"	100	90



Pneumatic and Electric Actuation

All information is sourced from our manufacturer's data and is intended for guidance only - Valves Online can accept no liability for changes, omissions or errors.