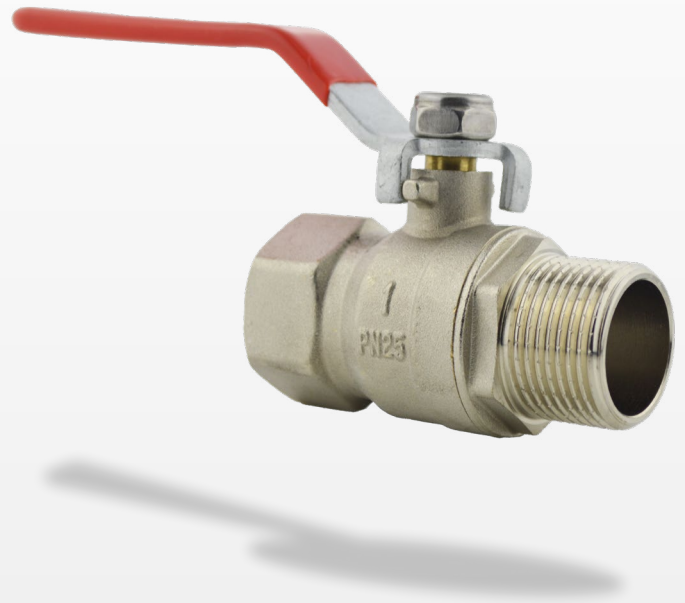


ECONOMY BSP MALE x FEMALE

NP BRASS BALL VALVE RED HANDLE

Key features:

- 2-piece brass body
- Lever-operated
- Seal material: PTFE
- Male x female BSP end connections
- Sizes available: 1/4" to 1"
- Working temperature range: -10°C to +120°C
- Maximum working pressure: 25bar



DETAILS

This M x F economy ball valve is suitable for a range of general-purpose applications.

Available in sizes: 1/4" to 1", this lever-operated brass ball valve features a robust 2-piece body and PTFE seals.

Male x female screwed BSP end connections with threads to ISO 228 (equivalent to DIN 259 and BS 2779).

The valve has a working temperature range of -10°C to +120°C and is pressure rated to 25 bar.

Call 01822 855600 to discuss your project or application further with a member of our technical team or contact us via our online form.

ECONOMY BSP MALE x FEMALE

NP BRASS BALL VALVE RED HANDLE

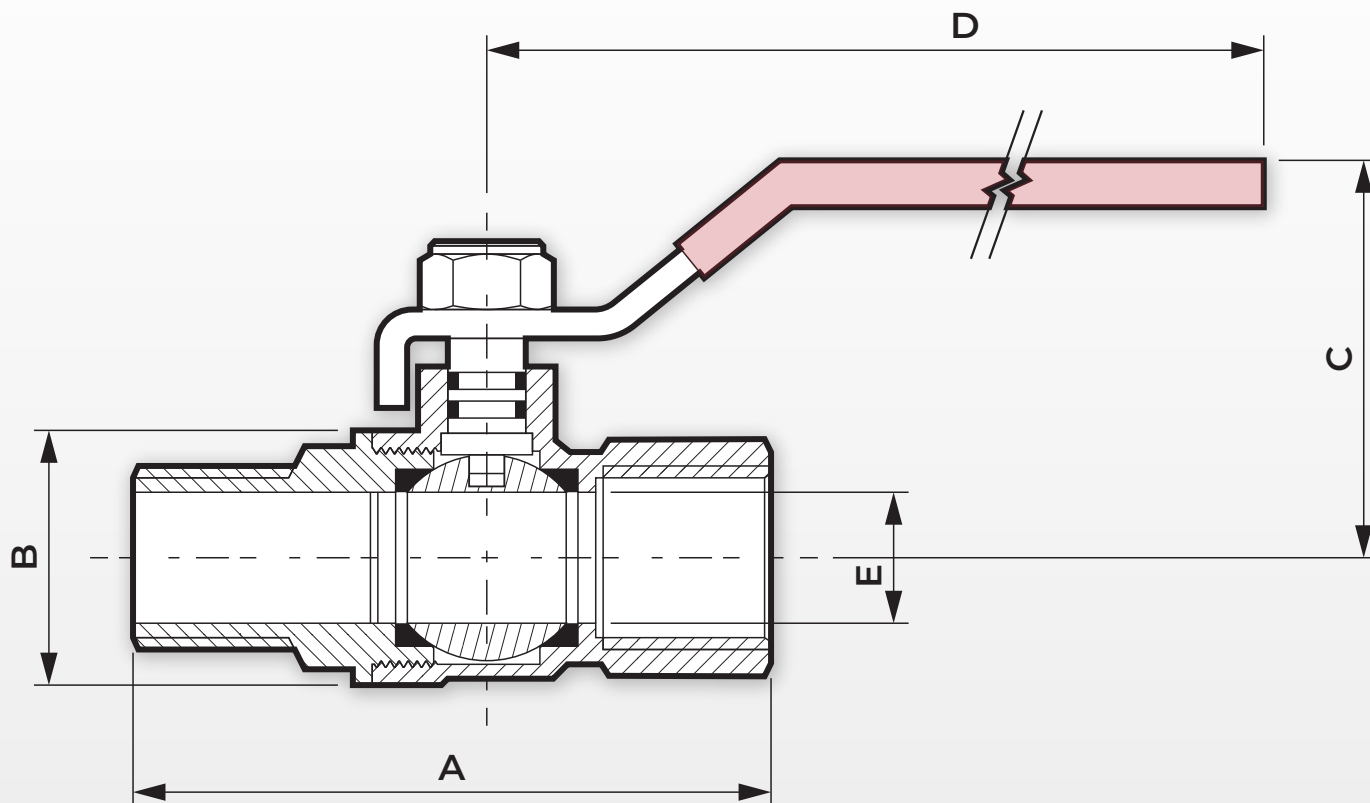


TABLE 1: DIMENSIONS IN MM

Size	DN	A	B	C	D	E	Part Number (SKU)
1/4"	DN8	54.8	23.0	39.2	87	9.0	BV4218-100102
3/8"	DN10	55.3	23.0	39.8	87	10.0	BV4218-100103
1/2"	DN15	68.0	29.5	54.2	95	14.8	BV4218-100104
3/4"	DN20	74.0	35.0	57.6	95	19.0	BV4218-100105
1"	DN25	86.5	42.7	60.6	126	24.0	BV4218-100106

TABLE 2: MATERIALS

Part	Material
Body	Brass
Ball	Brass
Seal	PTFE
Stem	Brass
O-ring	Fluorubber (FKM)
Handle	Iron or steel
Nut	Stainless steel