



Typ 5404 kombinierbar mit

**Type 2508**

Cable plug

**Type 1078**

Timer unit

**Type 2511**

ASI cable plug

## Servo-assisted 2/2 way piston valve

- Servo-assisted piston valve with diameter of up to DN 25
- Vibration-proof, screwed coil system
- Moulded housing with high surface quality
- Explosion proof versions
- Suitable for gas and steam applications

The 5404 valve is a servo-assisted piston valve available in both NC and NO versions. A minimum differential pressure is required for the valve switching function. The standard brass housing satisfies all European drinking water requirements. The solenoid coils are moulded with high-quality polyamide. For reduced energy requirement, all coils can be delivered with electronic power reduction. In combination with a plug in accordance with DIN EN 17301-803 Form A, the valves satisfy protection class P65.

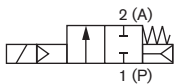
Technical data	
<b>Orifice</b>	DN 12 - 25 mm
<b>Body material</b>	Brass
<b>Coil material</b>	Polyamide
<b>Coil insulation class</b>	B (H on request)
<b>Valve internals</b>	Stainless steel, brass
<b>Seal material</b>	PTFE seat seal + NBR PTFE seat seal + FKM
<b>Media</b>	Neutral media, compressed air, water, hydraulic oil
<b>Media temperature</b>	0 to +100 °C
<b>Ambient temperature</b>	Max. +55 °C
<b>Voltage tolerance</b>	±10 %
<b>Duty cycle</b>	100% continuous rating
<b>Electrical connection</b>	Steckerfahnen nach DIN EN 175301-803 (ehemals DIN 43650 ) Form A für Gerätesteckdosen Typ 2508 (siehe Zubehör)
<b>Protection class</b>	IP 65 with cable plug
<b>Installation</b>	As required, preferably with actuator upright

Response times	
Opening [ms]	20-400
Closing [ms]	100-1500 (depending on orifice and differential pressure)

Power consumption			
Standard Inrush AC [VA]	Hold AC (hot coil) [VA]	Hold DC (hot/cold coil) [W]	
<b>Circuit function A</b>			
24	14	8	8/9.5
<b>Circuit function B</b>			
24	16	7	8/9.5
<b>Ex Coil <sup>1)</sup> (Circuit function A)</b>			
9	9		9

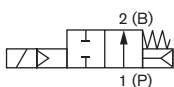
<sup>1)</sup> with internal rectifier

### Circuit function A



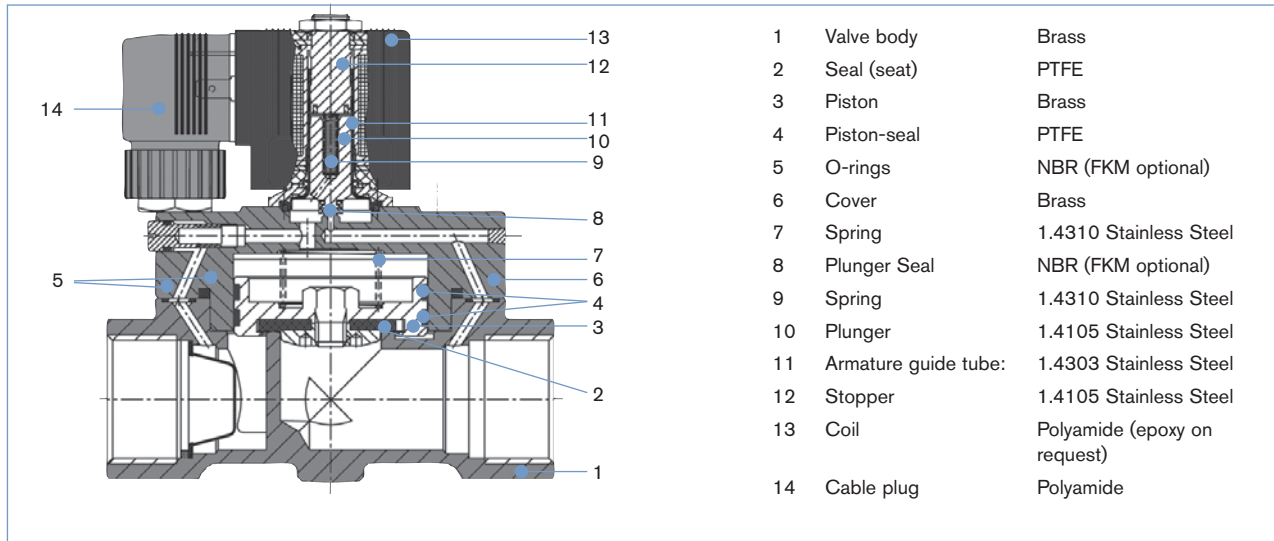
2/2 way valve NC,  
normally closed

### Circuit function B

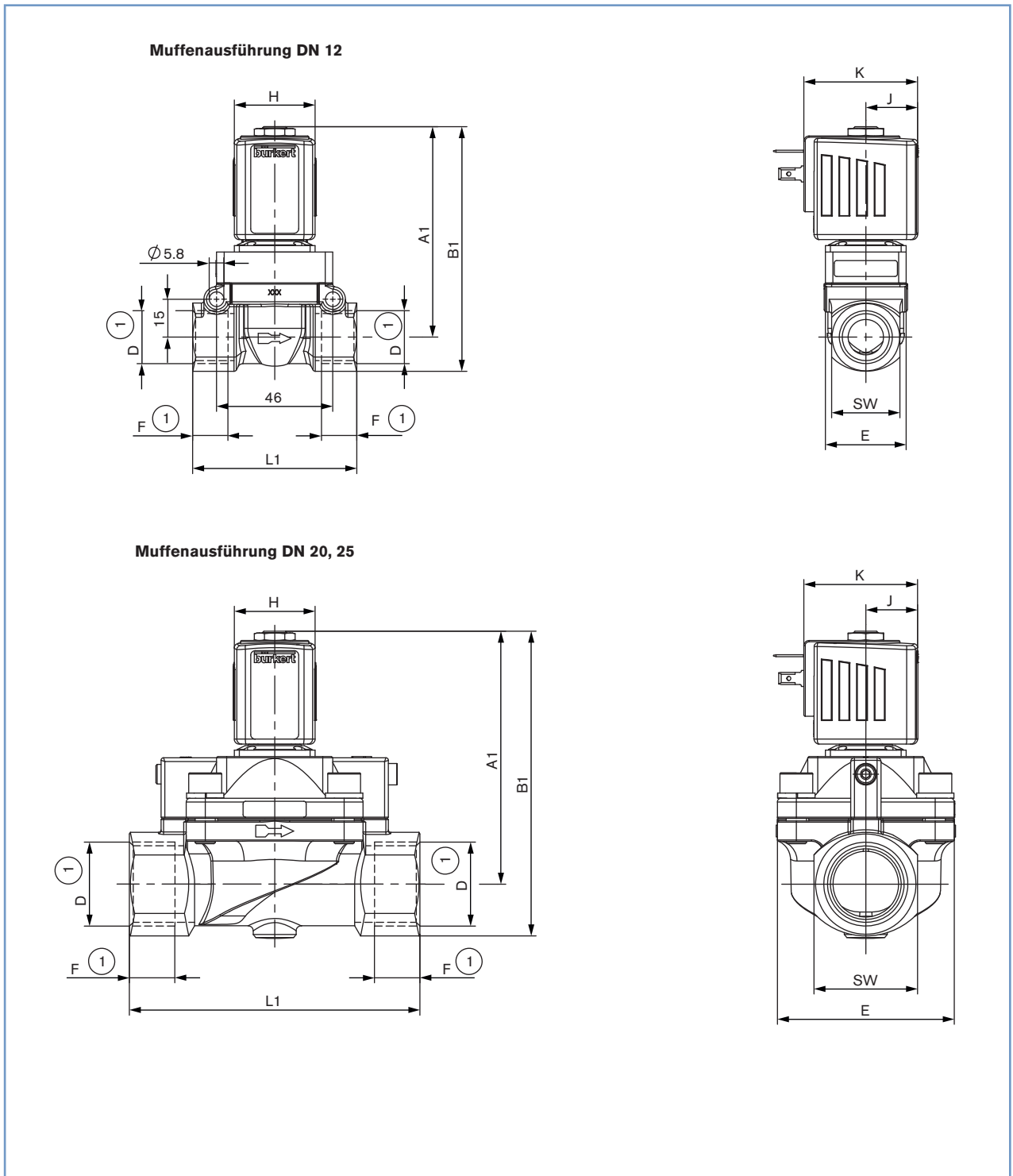


2/2 way valve NO,  
normally open

## Materials



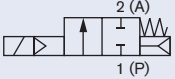
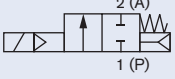
Dimensions [mm] - standard version



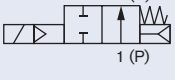
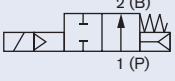
Threaded version																	
DN [mm]	WWA		WWB		D1	F1	D2	F2	D3	F3	E	L1	SW	H	J	K	Coil size
	A1	B1	A1	B1													
12.0	83	96.5	90.5	104	G 1/2	14	NPT 1/2	13.7	Rc 1/2	13.2	32	65	27	32	20.5	45	5
20.0	93	109			G 3/4	16	NPT 3/4	14	Rc 3/4	14.5	60	100	32				
25.0	99.5	119			G1	18	NPT1	16.8	Rc1	16.8	70	115	41				
12.0	83	96.5	90.5	104	G 1/2	14	NPT 1/2	13.7	Rc 1/2	13.2	32	65	27	40	23.5	51	6
20.0	93	109			G 3/4	16	NPT 3/4	14	Rc 3/4	14.5	60	100	32				
25.0	99.5	119			G1	18	NPT1	16.8	Rc1	16.8	70	115	41				

## Ordering chart for valves - Standard version (other versions on request)

Circuit function A (NC, normally closed), brass body; delivered without cable plug

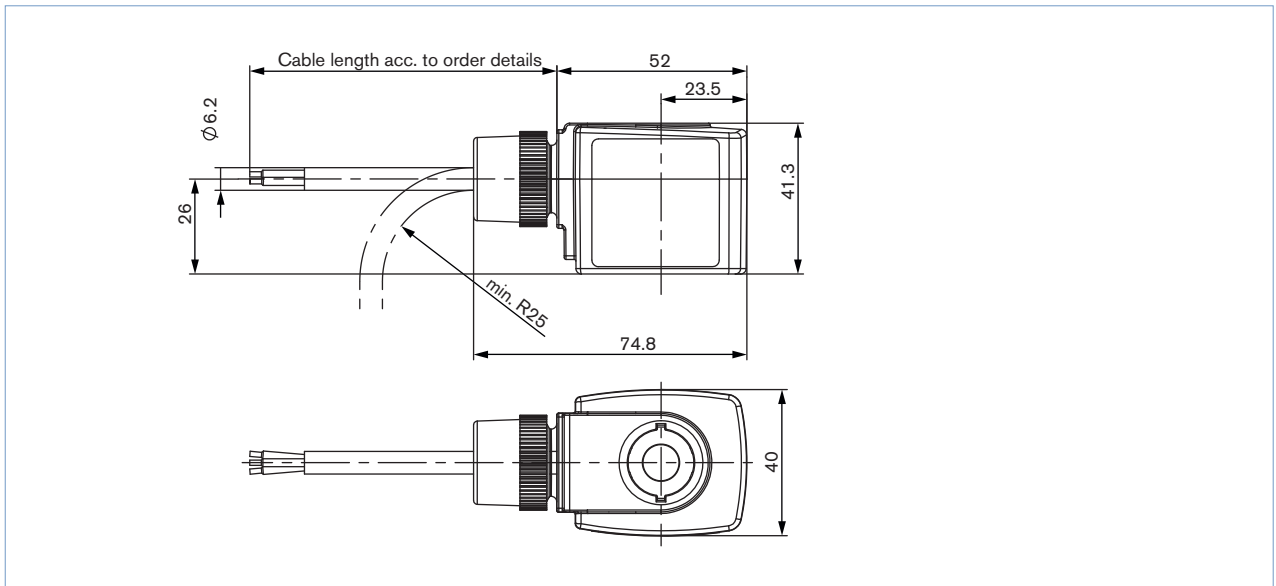
Circuit function	Port connection	Orifice [mm]	Kv value water [m³/h]	Pressure range for liquids [bar]	pressure range for gases [bar]	Item no. per voltage/frequency [V/Hz]		
						024/DC	024/50	230/50
<b>PTFE + NBR</b>								
<b>A</b> 2/2 way valve, NC 	G 1/2	12	2.0	1 - 50	1 - 50	134 590	134 591	134 593
	G 3/4	20	5.0	1 - 25	1 - 32	134 594	-	-
				1 - 25	1 - 40	-	134 595	134 597
	G 1	25	10.0	1 - 25	1 - 32	134 598	-	-
1 - 25				1 - 40	-	134 599	134 601	
<b>PTFE + FKM</b>								
<b>A</b> 2/2 way valve, NC 	G 1/2	12	2.0	1 - 50	1 - 50	140 564	140 565	140 566
	G 3/4	20	5.0	1 - 25	1 - 32	X	-	-
				1 - 25	1 - 40	-	X	X
	G 1	25	10.0	1 - 25	1 - 32	189 860	-	-
1 - 25				1 - 40	-	X	X	

Circuit function B (NO, normally open), internal feedback, brass body; delivered without cable plug

Circuit function	Port connection	Orifice [mm]	Kv value water [m³/h]	Pressure range for liquids [bar]	pressure range for gases [bar]	Item no. per voltage/frequency [V/Hz]		
						024/DC	024/50	230/50
<b>PTFE + NBR</b>								
<b>B</b> 2/2 way valve, NO 	G 1/2	12	2.0	1 - 40	1 - 40	X	X	X
	G 3/4	20	5.0	1 - 25	1 - 25	X	X	X
	G 1	25	10.0	1 - 25	1 - 25	X	X	X
<b>PTFE + FKM</b>								
<b>B</b> 2/2 way valve, NO 	G 1/2	12	2.0	1 - 40	1 - 40	X	X	X
	G 3/4	20	5.0	1 - 25	1 - 25	X	254 636	X
	G 1	25	10.0	1 - 25	1 - 25	X	X	X

X on request

## Dimensions [mm] - ATEX/IECEX version



## ordering chart for valves - ATEX/IECEX versions (other versions on request)

## Circuit function A (NC, normally closed), brass body; delivered without cable plug

The maximum fluid temperature must not in any case exceed the permissible temperature class (T4 135 °C, 100 °C T5, T6 85 °C), of minus 5 K.

Circuit function	Port connection	Orifice [mm]	Kv value water [m³/h]	Pressure range for liquids [bar]	pressure range for gases [bar]	Item no. per voltage/frequency [V/Hz]	
						024/UC	230/UC
<b>PTFE + NBR</b>							
<b>A</b> 2/2 way valve, NC 	G 1/2	12	2.0	1-50	1-50	X	278 115
	G 3/4	20	5.0	1-25	1-32	X	X
	G 1	25	10.0	1-25	1-32	X	X
<b>PTFE + FKM</b>							
<b>A</b> 2/2 way valve, NC 	G 1/2	12	2.0	1-50	1-50	278 117	278 118
	G 3/4	20	5.0	1-25	1-32	285 858	278 121
	G 1	25	10.0	1-25	1-32	X	X

X on request

## Explosion-proof approvals

ATEX: PTB 14 ATEX 2023 X

II 2G Ex mb IIC T4 Gb

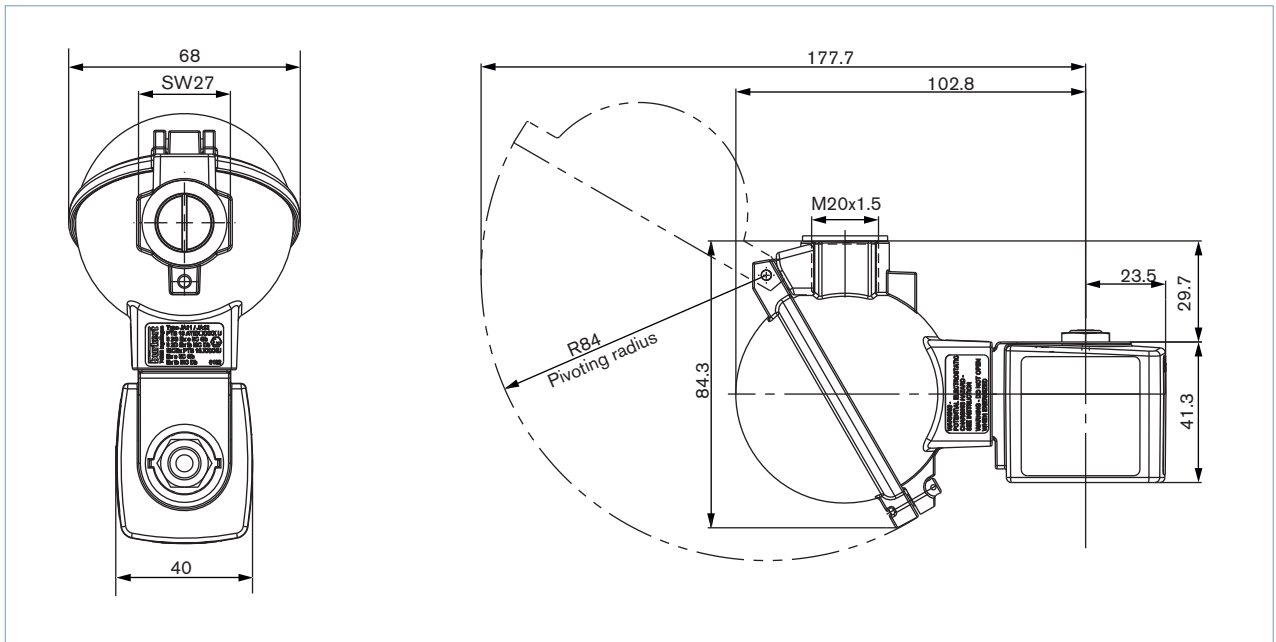
II 2D Ex mb IIIC T130 °C Db

IECEX: IECEX PTB 14.0049 X

Ex mb IIC T4 Gb

Ex mb IIIC T130 °C Db

## Dimensions [mm] - ATEX/IECEX Terminal box version



## Ordering chart for valves - ATEX/IECEX Terminal box version (Further versions on request)

### Circuit function A (NC, normally closed), brass body; delivery without cable plug

The maximum fluid temperature must not in any case exceed the permissible temperature class (T4 135 °C, 100 °C T5, T6 85 °C), of minus 5 K.

Circuit function	Port connection	Orifice [mm]	Kv value water [m <sup>3</sup> /h]	Pressure range for liquids [bar]	pressure range for gases [bar]	Item no. per voltage/frequency [V/Hz]	
						024/UC	230/UC
<b>PTFE + NBR</b>							
<b>A</b> 2/2 way valve, NC 	G 1/2	12	2,0	1-50	1-50	x	x
	G 3/4	20	5,0	1-25	1-32	x	x
	G 1	25	10,0	1-25	1-32	x	x
<b>PTFE + FKM</b>							
<b>A</b> 2/2 way valve, NC 	G 1/2	12	2,0	1-50	1-50	289 362	289 371
	G 3/4	20	5,0	1-25	1-32	x	x
	G 1	25	10,0	1-25	1-32	x	x

X on request

### Explosion-proof approvals

ATEX: PTB 15 ATEX 1011U

IECEX: PTB 15.0037U

**Note:** the pressure values for liquid media are shown on the rating plate!

**Please note** that the cable plug has to be ordered separately, see Ordering chart for accessory below and separate datasheet, Type 2508

### i Further versions on request



#### Approvals

UL, UR, CSA, Hazardous Locations Expl. proof, EEx m/ed




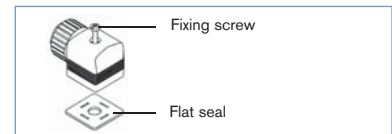
#### Voltage

110/50, non-standard voltages

## Ordering chart for accessories


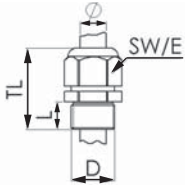

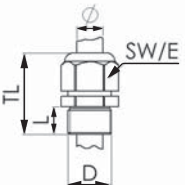
### Cable plug Type 2508 according to DIN EN 175301-803 Form A

	Circuitry	Voltage / frequency	Item no.
	None (standard)	0 - 250 V AC/DC	008 376
	with LED	12 - 24 V AC/DC	008 360
	with LED and varistor	12 - 24 V AC/DC	008 367
	with rectifier, LED and varistor	12 - 24 V AC/DC	008 363
	with LED	200 - 240 V	008 362
	with LED and varistor	200 - 240 V	008 369
further versions see datasheet Type 2508			



The delivery of a cable plug includes the flat seal and the fixing screw. For other cable plug versions acc. to DIN EN 175301-803 Form A (previously DIN 43650), see separate datasheet Type 2508.

### Ex-Cable gland

Photo	Description	Ex Approvals		Item no	Drawing										
		Certification	Identifica-tion												
	Brass, nickel-plated, 6-13 mm	PTB 04 ATEX 1112 X, IECEx PTB 13.0027X	II 2 G Ex e IIC Gb, II 2 D Ex tb IIIC Db IP68,	773 278	 <table border="1"> <tr><td>TL</td><td>29-37 mm</td></tr> <tr><td>L</td><td>6 mm</td></tr> <tr><td>D</td><td>20</td></tr> <tr><td>SW</td><td>24 mm</td></tr> <tr><td>E</td><td>27 mm</td></tr> </table>	TL	29-37 mm	L	6 mm	D	20	SW	24 mm	E	27 mm
TL	29-37 mm														
L	6 mm														
D	20														
SW	24 mm														
E	27 mm														
	Polyamide, 7-13 mm	PTB 13 ATEX 1015 X, IECEx PTB 13.0034X	II 2 G Ex e IIC Gb, II 2 D Ex tb IIIC Db IP68	773 277	 <table border="1"> <tr><td>TL</td><td>36-45 mm</td></tr> <tr><td>L</td><td>10 mm</td></tr> <tr><td>D</td><td>20</td></tr> <tr><td>SW</td><td>24 mm</td></tr> <tr><td>E</td><td>28 mm</td></tr> </table>	TL	36-45 mm	L	10 mm	D	20	SW	24 mm	E	28 mm
TL	36-45 mm														
L	10 mm														
D	20														
SW	24 mm														
E	28 mm														

In case of special application conditions, please consult for advice.

We reserve the right to make technical changes without notice.

1602/4\_EU-en\_00891714