



## Normally Closed High Pressure Solenoid Valve 1-250 bar

- Screwed BSP, ¼" - ½"
- Normally Closed 3/2 Way
- Stainless Steel Body
- PCTFE / FKM Seals
- Servo Assisted. 1 – 250 Bar
- Various Voltage Options
- Suitable for Air, Gases and Liquids

### > Description

The BS6240HP, High pressure servo-assisted piston solenoid valve. It is a safe and reliable valve. Offered in a stainless steel body with PCTFE/FKM seals and a normally closed function.

Sizes with orifices of DN6 and DN12 depending on flow requirements with choices of ¼", 3/8" and ½" connections. The stopper and plunger guiding tube are welded together to enhance pressure resistance and leak-tightness. The housing design and surface quality enable maximum flow rates. The coils are moulded with chemically resistant epoxy.

Maximum temperature for this valve is –10°C up to +80°C.

Type MX32 up to 250 Bar and MX31 up to 160 Bar. The valve is supplied with type 2518 cable plug and when fitted becomes IP65 protected.



### Description

A servo – assisted high pressure solenoid valve, 2/2 way, supplied in stainless steel with PCTFE/FKM seals. Offered in the normally closed position with sizes from ¼", 3/8" and ½". Pressure range from 1 bar, up to 250 Bar. Suitable for high pressure neutral gases and liquids. Voltages 24 VDC, 24 V AC and 230 V AC.



### Beschreibung

Ein servounterstütztes Hochdruck-Magnetventil, 2/2-Wege, geliefert in Edelstahl mit PCTFE/FKM-Dichtungen. Wird in normal geschlossener Position mit Größen von ¼", 3/8" und ½" angeboten. Druckbereich von 1 bar bis 250 bar. Geeignet für neutrale Hochdruckgase und Flüssigkeiten. Spannungen 24 VDC, 24 V AC und 230 V AC.



### Descripción

Una electroválvula de alta presión servoasistida, 2/2 vías, suministrada en acero inoxidable con juntas de PCTFE/FKM. Se ofrece en la posición normalmente cerrada con tamaños de ¼", 3/8" y ½". Rango de presión desde 1 bar hasta 250 Bar. Adecuado para gases y líquidos neutros a alta presión. Voltajes 24 VDC, 24 V AC y 230 V C.A.

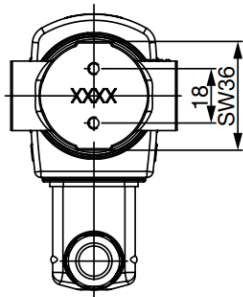


### Description

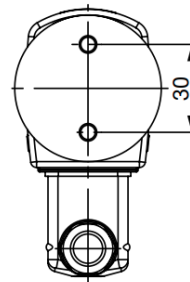
Une électrovanne haute pression servo-assistée, 2/2 voies, livrée en acier inoxydable avec joints PCTFE/FKM. Offert en position normalement fermée avec des tailles de ¼", 3/8" et ½". Plage de pression de 1 bar, jusqu'à 250 Bar. Convient aux gaz et liquides neutres à haute pression. Tensions 24 VDC, 24 V AC et 230 V CA.

## Product Properties

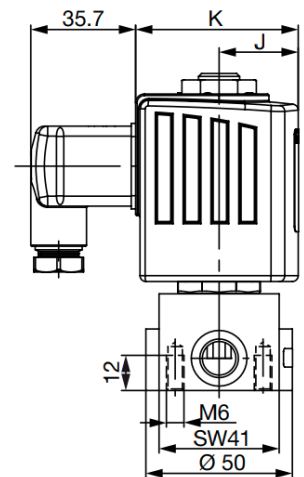
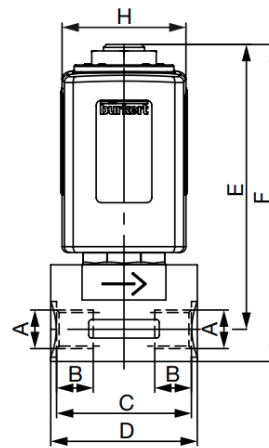
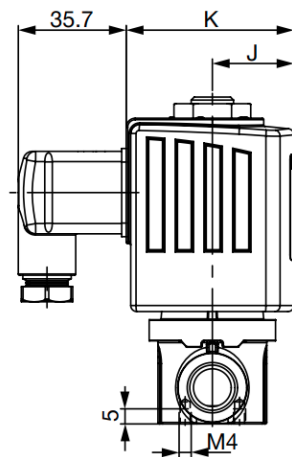
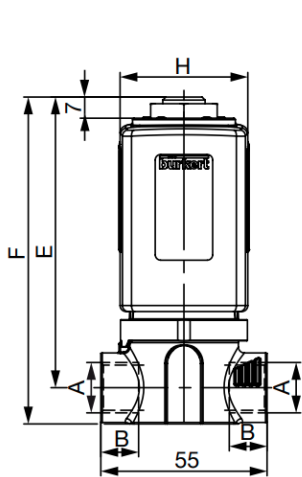
<b>Material</b>	
Body	Stainless Steel
Coil	Epoxy
Orifice	DN6, DN12
Duty Cycle	100% continuous rating
Coil Insulation Class	Class H
<b>Response Times</b>	
	Opening 100 - 200 ms
	Closing 300 - 600 ms
Medium	Oil, Gas, Liquid
Medium Temperature	PCTFE/FKM -10°C to +80°C
Ambient Temperature	Max 55°C
Protection Class (with plug)	IP65
Port Connections	G 1/4", G3/8" & G 1/2"
Installation	Upright
Voltage Options	24 VDC, 24AC, 110AC & 230AC
Voltage Tolerance	±10%



➤ **Version  
MX31**



➤ **Version  
MX32**

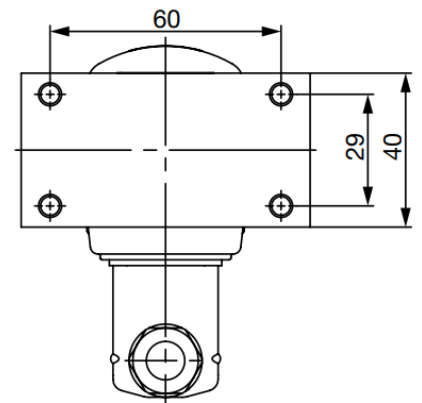
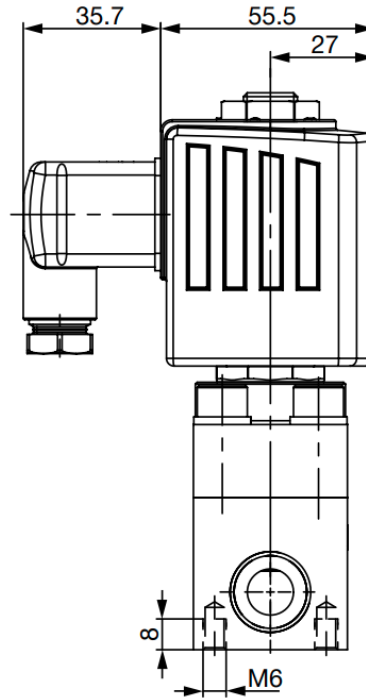
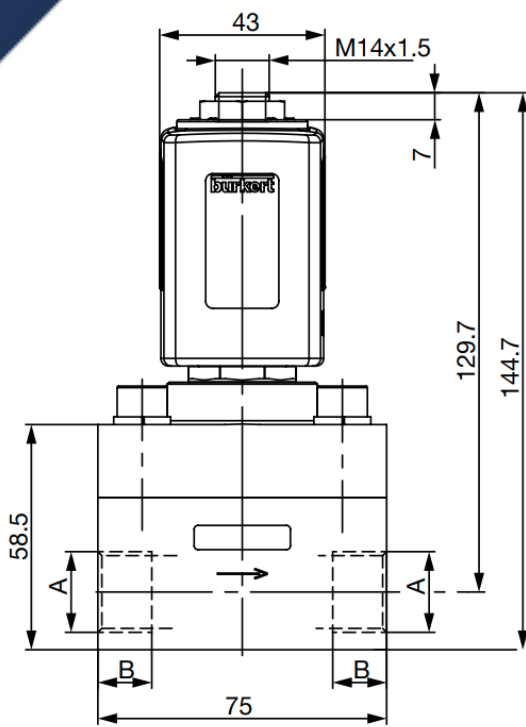


➤ **High Pressure version up to 250 bar (MX32) or 160 bar (MX31) - DN6**

A	B	E	F
G 1/4	13	95.2	105.2
NPT 1/4	10	95.2	105.2
G 3/8	12	96.2	108.2
NPT 3/8	10.3	96.2	108.2

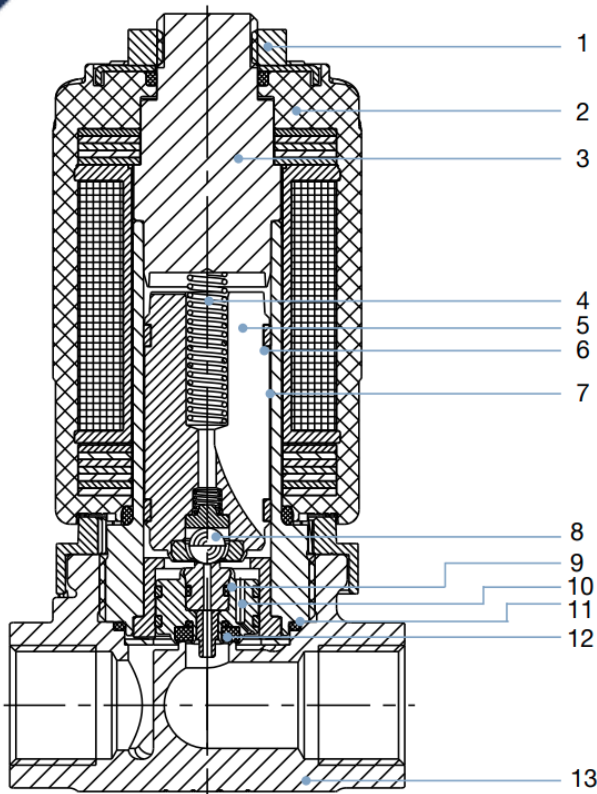
Coil Size	H	J	K
K	42	27	55.5
L	65	37.5	72

A	B	C	D	E	F
G 1/4	13	46	Ø50	97.2	108.2
NPT 1/4	10	46	Ø50	97.2	108.2
G 3/8	12.5	44	44.4	98.7	111.2
NPT 3/8	10.3	44	44.4	98.7	111.2



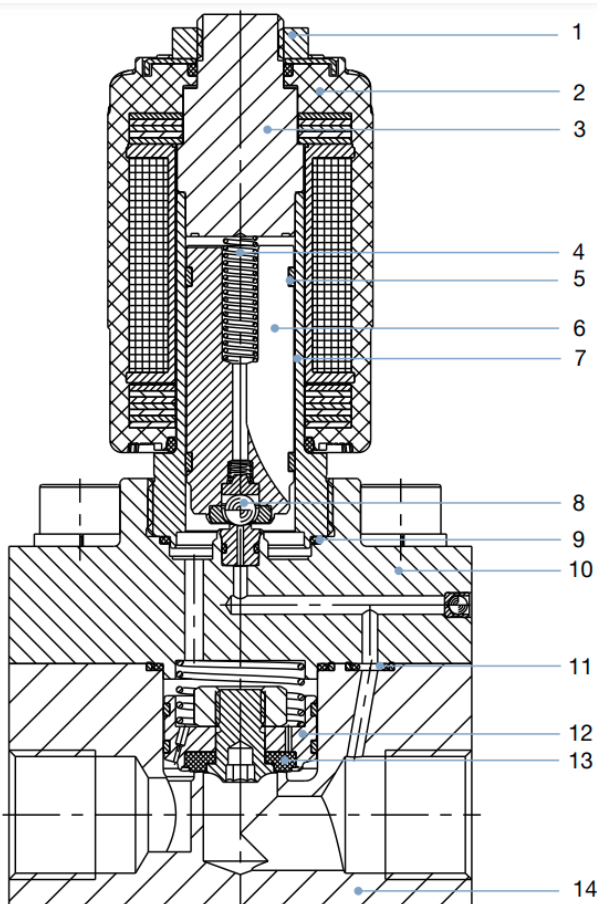
## ➤ High Pressure version up to 250 bar (MX32) - DN12

A	B
G 1/2	14
NPT 1/2	13.7



**Material specifications high pressure version up to 250 bar (MX32) or 160 bar (MAX31) – DN6**

No.	Element	Material
1	Nut	1.4305
2	Coil	Epoxy
3	Stopper	1.4523
4	Spring	1.4310
5	Core coupling	1.4113, 1.4305
6	Glide ring	PTFE coal-filled
7	Guide tube	1.4571
8	Core seal	Ceramic ball
9	Piston coupling	1.4305, PEEK, PTFE coal-filled
10	Piston guide	1.4305
11	Seal	FKM, EPDM
12	Seat seal	PCTFE
13	Body	Stainless Steel 1.4404



**Material specifications high pressure version up to 250 bar (MX32) – DN12**

No.	Element	Material
1	Nut	1.4305 PTFE coated
2	Coil	Epoxy
3	Stopper	1.4523
4	Spring	1.4310
5	Glid ring	PTFE coal-filled
6	Core coupling	1.4113, 1.4305
7	Guide tube	1.4571
8	Core seal	Ceramic ball
9	Outer seal	FKM, EPDM
10	Flange coupling	Stainless Steel 1.4404, PEEK, FKM/EPDM
11	Outer seal	FKM, EPDM
12	Piston coupling	1.4305, PTFE coal-filled
13	Seat seal	PCTFE
14	Body	Stainless Steel 1.4404

All information is sourced from our manufacturer's data and is intended for guidance only - Valves Online can accept no liability for changes, omissions or errors.

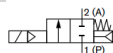
## Material specifications high pressure version up to 250 bar (MX32) – DN6 – ¼" & 3/8" or 160 bar (MX31) – DN6 – ¼" & 3/8"

### > Ordering chart high pressure version DN6 – pressure ranges up to 160 bar (MX31)

#### Note:

- KD-coil (Kick and Drop) features integrated electronics for short-term power increase and reduction in double-coil technology.
- Other versions with alternative voltages, seal materials, NPT or RC internal thread are available on request.
- For the following table applies: Orifice 6.0 and  $K_V$ -value water [m<sup>3</sup>/h] 0.75.
- Due to the wear-resistant PCTFE seat seals, a seat tightness of <2cm<sup>3</sup>/min (air 20°C) is guaranteed from a differential pressure of 20 bar or higher.

Circuit function	Port connection	Max. pressure difference [bar]						Coil size [mm]	Article no. acc. to voltage/frequency		
		Water		Oil		Air			024/DC [V/Hz]	024/50 [V/Hz]	230/50 [V/Hz]
Body material stainless steel, G internal thread, seal material PCTFE/FKM, cable plug with integrated rectifier for AC included in delivery											
A, solenoid valve 2/2 way	G 1/4	1...100	1...100	1...80	1...80	1...100	1...100	42	3000602	-	300603
	G 1/4	-	1...90	-	1...60	-	1...90	42	-	318327	-
Servo-controlled Normally closed	G 3/8	1...120	1...120	1...80	1...80	1...120	1...120	42	323476	-	323477
	G 3/8	-	1...90	-	1...60	-	1...90	42	-	323478	-

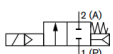


### > Ordering chart high pressure version DN6 – pressure ranges up to 250 bar (MX32)

#### Note:

- KD-coil (Kick and Drop) features integrated electronics for short-term power increase and reduction in double-coil technology.
- Other versions with alternative voltages, seal materials, NPT or RC internal thread are available on request.
- For the following table applies: Orifice 6.0 and  $K_V$ -value water [m<sup>3</sup>/h] 0.75.
- Due to the wear-resistant PCTFE seat seals, a seat tightness of <2cm<sup>3</sup>/min (air 20°C) is guaranteed from a differential pressure of 20 bar or higher.

Circuit function	Port connection	Max. pressure difference [bar]						Coil size [mm]	Article no. acc. to voltage/frequency		
		Water		Oil		Air			024/DC [V/Hz]	024/50 [V/Hz]	230/50 [V/Hz]
Body material stainless steel, G internal thread, seal material PCTFE/FKM, cable plug with integrated rectifier for AC included in delivery											
A, solenoid valve 2/2 way	G 1/4	1...230	-	1...200	-	1...250	-	65	319700	-	-
	G 1/4	-	1...230	-	1...200	-	1...250	42 (KD coil)	-	323479	323480
Servo-controlled Normally closed	G 3/8	1...230	1...120	1...200	-	1...250	-	65	323481	-	-
	G 3/8	-	1...230	-	1...200	-	1...250	42 (KD coil)	-	323482	323483



### > Material specifications high pressure version up to 250 bar (MX32) – DN12 – ½"

### > Ordering chart high pressure version DN12 – pressure range up to 250 bar (MX320)

#### Note:

- Other versions with alternative voltages, seal materials, NPT or RC internal thread are available on request.
- For the following table applies: Orifice 12.0 and  $K_V$ -value water [m<sup>3</sup>/h] 2.2.
- Due to the wear-resistant PCTFE seat seals, a seat tightness of <2cm<sup>3</sup>/min (air 20°C) is guaranteed from a differential pressure of 20 bar or higher.

Circuit function	Port connection	Max. pressure difference [bar]						Coil size [mm]	Article no. acc. to voltage/frequency		
		Water		Oil		Air			024/DC [V/Hz]	024/50 [V/Hz]	230/50 [V/Hz]
Body material stainless steel, G internal thread, seal material PCTFE/FKM, cable plug with integrated rectifier for AC included in delivery											
A, solenoid valve 2/2 way, Servo-controlled, Normally closed	G 1/2	1...250	1...250	1...250	1...250	1...250	1...250	42	312895	-	314877
	G 1/2	1...250	1...250	1...200	1...200	1...250	1...250	42	-	323484	-

All information is sourced from our manufacturer's data and is intended for guidance only - Valves Online can accept no liability for changes, omissions or errors.

