



PVC Manual Lever Operated Butterfly Valve.

- Isolating and Regulating Flow
- PVC Disc, Body Glass reinforced Polypropylene
- Liner Material Options, EPDM and FKM.
- 10 Bar Rated on Water at 20°C
- Sizes from 1½" - 8"
- Suitable for Temperatures up to 60°C
- Full Flange Body

> Description

Manufactured by Durapipe Type FK Butterfly Valve

The BF5600 butterfly valve offers high performance and excellent flow characteristics, with minimal pressure drop over a wide range of fluid applications. The body is manufactured from Glass Reinforced Polypropylene and the disc in PVC and offered in sizes from 1½" to 8" DN50-DN200. Options for either EPDM or FKM liners.

The oval holes in the valve body (DN50 to DN200) allow connection to the following flange drilling standards:

BS-EN 1092 PN10 (Formally BS4504 PN10)

ASA B16.5 class 150

BS10, Table D/E

Lever operated versions are fitted with a handle locking device (with 10 ratchet positions at 10° intervals for regulating flow)

Options to install either a gearbox or actuator to the valve upper flange with standard ISO drillings.

The valve is fully maintainable and replacement parts are available.

> On request

Pneumatic and Electric Actuation Available
ABS Versions



Description

A well proven, reliable and robust manual lever operated butterfly valve, supplied by Aliaxis (Durapipe). Body Glass reinforced Polypropylene and PVC disc with options for both EPDM or FKM liners.

Notched lever handle operator and suitable for both isolation and control of fluids.



Beschreibung

Eine bewährte, zuverlässige und robuste Absperrklappe mit manueller Hebelbetätigung, geliefert von Aliaxis (Durapipe). Gehäuse aus glasfaserverstärktem Polypropylen und PVC-Scheibe mit Optionen für EPDM- oder FKM-Auskleidungen.

Bediener mit eingekerbtem Hebelgriff, geeignet sowohl für die Isolierung als auch für die Kontrolle von Flüssigkeiten.



Descripción

Una válvula de mariposa manual de palanca probada, confiable y robusta, suministrada por Aliaxis (Durapipe). Cuerpo Disco de PVC y polipropileno reforzado con fibra de vidrio con opciones para revestimientos de EPDM o FKM.

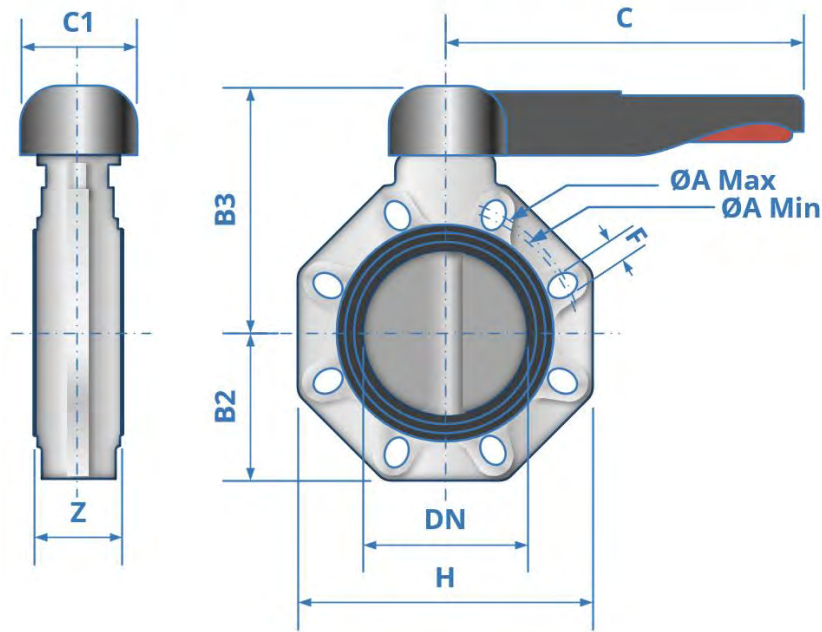
Operador con manija de palanca con muescas y adecuado tanto para el aislamiento como para el control de fluidos.



Description

Une vanne papillon à levier manuel éprouvée, fiable et robuste, fournie par Aliaxis (Durapipe). Corps Disco en polypropylène et PVC renforcé de fibre de verre avec des options pour les revêtements EPDM ou FKM.

Opérateur à levier cranté et adapté à la fois à l'isolation et au contrôle des fluides.

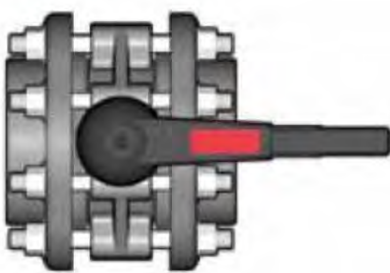


Dimensions

d	DN	PN	B2	B3	H	Z	A min	A max	F	U	C	C1
1 1/2" - 50	40	16	60	137	132	33	99	109	19	4	175	100
2" - 63	50	16	70	143	174	43	115	126	19	4	175	100
2 1/2" - 75	65	10	80	164	165	46	128	144	19	8	175	110
3" - 90	80	10	93	178	185	49	145	160	19	8	272	110
4" - 110	100	10	107	192	211	56	165	190	19	8	272	110
5" - 140	125	10	120	212	240	64	204	215	23	8	330	110
6" - 160	150	10	124	225	268	70	230	242	23	8	330	110
8" - 225	200	10	161	272	323	114	280	298	23	8	420	122

> PVC-U Disc with choice of EPDM or FPM Liners.

Flange Bolting



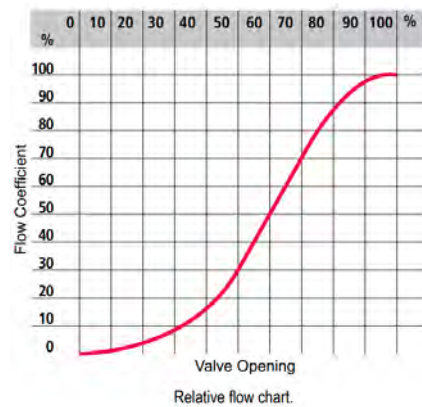
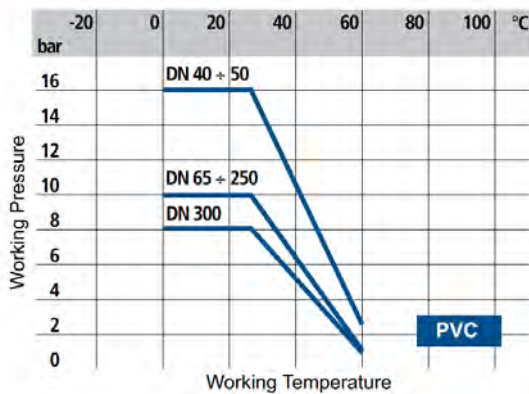
d	DN	J	*Nm
1 1/2" - 50	40	M16	9
2" - 63	50	M16	12
2 1/2" - 75	65	M16	15
3" - 90	80	M16	18
4" - 110	100	M16	20
5" - 140	125	M16	35
6" - 160	150	M20	40
8" - 225	200	M20	55
10" -	250	M24	70
12" -	300	M24	70

*Nominal torque required for the tightening of bolts for the flanged joints.
Torque required for watertight joints (1.5xPN at 20°C)

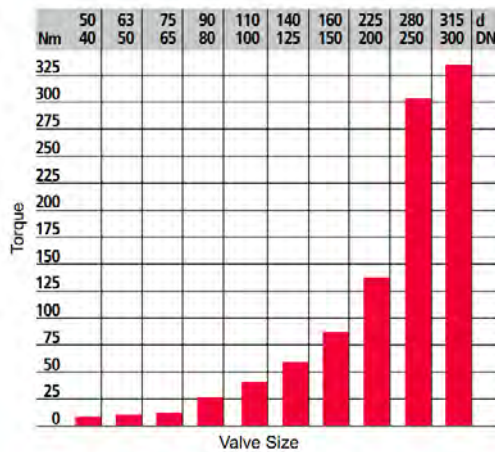
The overall dimensions of the FK Butterfly valve comply with the following standards:
 ISO5752 (DN40 to DN200) Medium 25 series
 ISO5752 (DN250 to DN300) Long 16 series
 DIN 3202 (DN65 to DN 200) K2
 DIN 3202 (DN250 to DN3000) K3

The oval holes in the valve body (DN50 to DN200) allow connection to the following flange drilling standards:
 BS-EN 1092 PN10 (Formally BS4504 PN10)
 ASA B16.5 class 150
 BS10, Table D/E

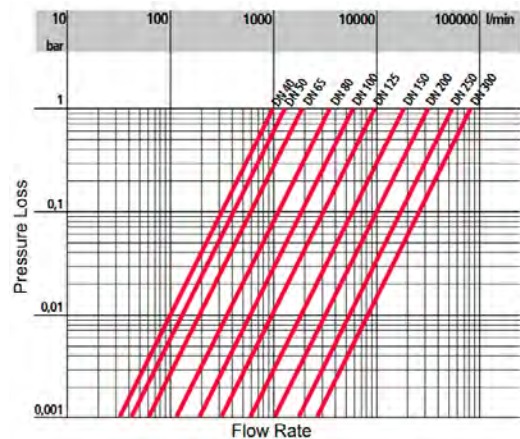
Technical Data



Technical Data



Maximum torque at maximum working pressure.



Pressure loss chart.

DN	40	50	65	80	100	125	150	200	250	300
bar	1000	1285	1700	3350	5900	9850	18700	30500	53200	81600

Flow coefficient k_{v100}

k_{v100} is the number of litres per minute of water at a temperature of 20°C that will flow through a valve with a one bar pressure differential at a specified rate. The k_{v100} values shown in the table are calculated with the valve fully open.

All information is sourced from our manufacturer's data and is intended for guidance only - Valves Online can accept no liability for changes, omissions or errors.

