

ECONOMY WRAS APPROVED

WAFER BUTTERFLY VALVE

Key features:

- Cast iron body
- 316 stainless steel disc
- EPDM liner
- Sizes: 1 1/2" to 12"
- Lockable lever and throttling notch plate or gearbox
- BS10 Table D/E, PN6/10/16 and ANSI150 flanges
- WRAS approved



DETAILS

An economy wafer pattern butterfly valve with cast iron body, 316 stainless steel disc and EPDM liner.

Available in sizes: 1-1/2" to 10" with lockable lever and throttling notch plate, and up to 12" with gearbox.

WRAS approved.

Mount between BS10 Table D and E, PN6/10/16 and ANSI 150 flanges.

Working temperature range from -20°C to +120°C and maximum working pressure of 16 bar.



ECONOMY WRAS APPROVED

WAFER BUTTERFLY VALVE

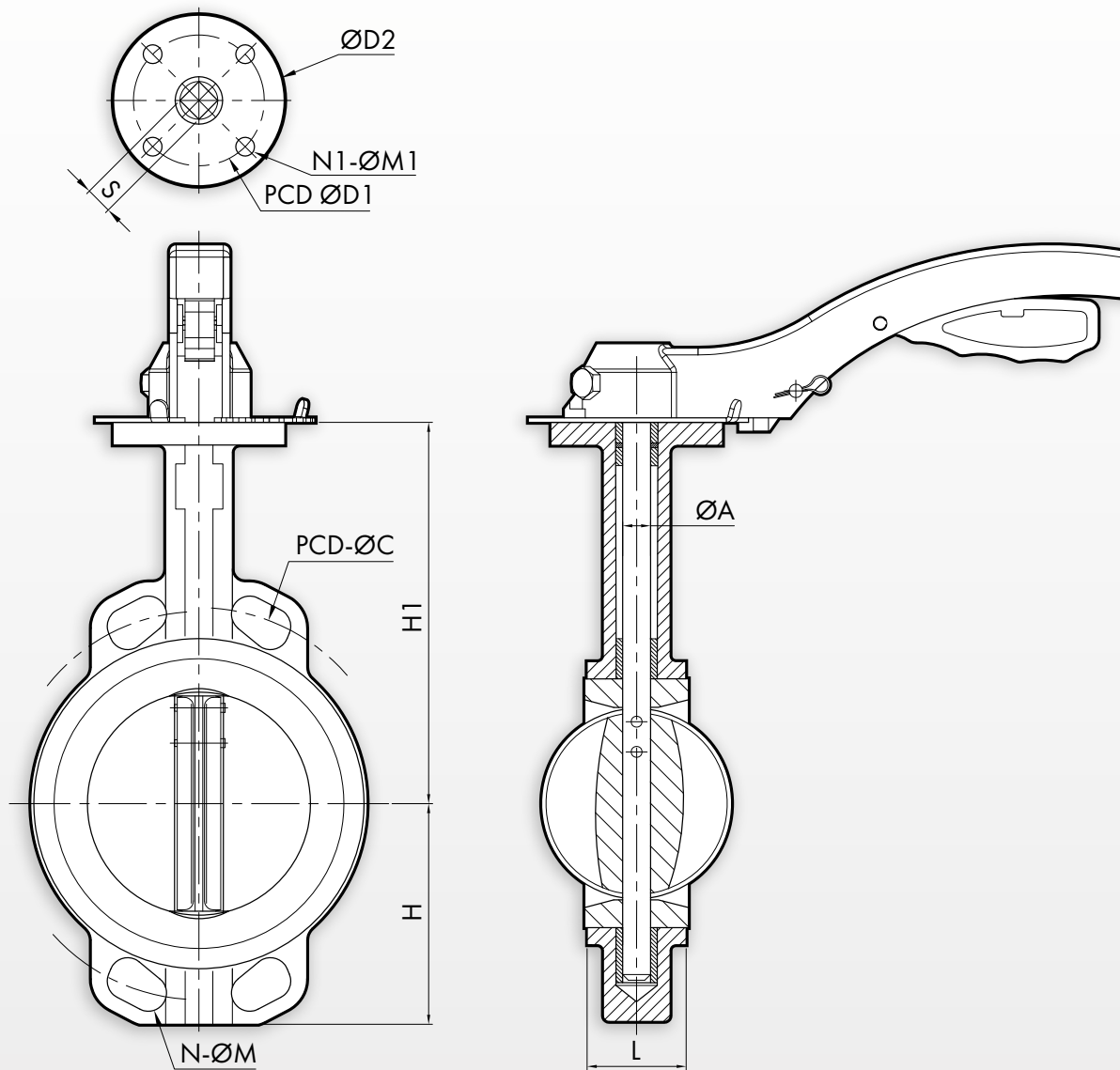
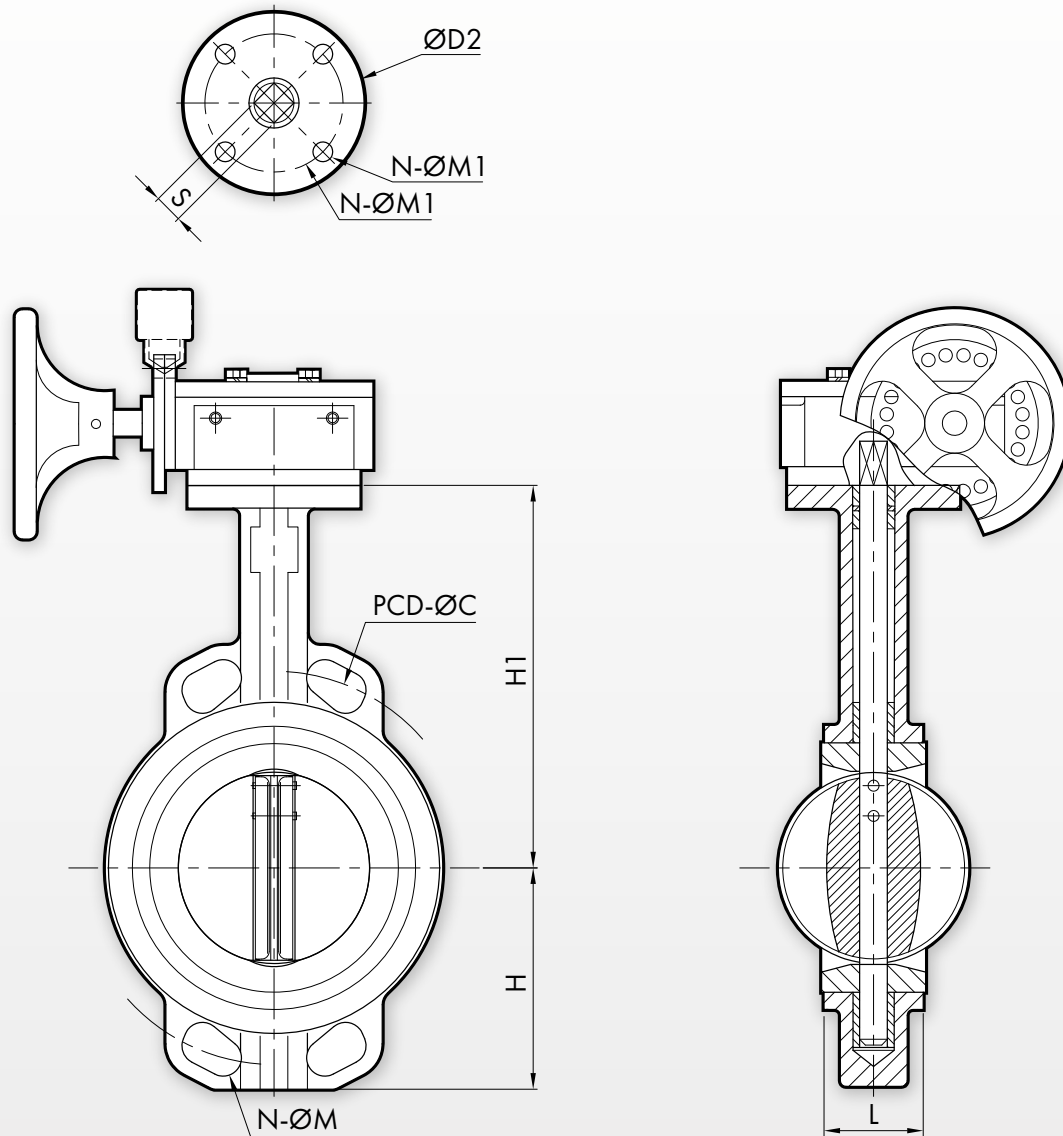


TABLE 1: DIMENSIONS IN MM
LOCKABLE LEVER AND THROTTLING NOTCH PLATE

NPS (DN)	C	L	H	H1	A	S	D1		D2		N	M	N1	M1		ISO5211		SKU
							1	2	1	2				1	2	1	2	
1-1/2" (DN40)	110	33	65	120	12.60	11	50	70	65	90	4	19	4	7	10	F05	F07	BF4690-100100
2" (DN50)	125	43	80	140	12.60	11	50	70	65	90	4	19	4	7	10	F05	F07	BF4690-100101
2-1/2" (DN65)	145	46	89	150	12.60	11	50	70	65	90	4	19	4	7	10	F05	F07	BF4690-100102
3" (DN80)	160	46	95	158	12.60	11	50	70	65	90	8	19	4	7	10	F05	F07	BF4690-100103
4" (DN100)	180	52	114	176	15.77	14	70	-	90	-	8	19	4	10	-	F07	-	BF4690-100104
5" (DN125)	210	56	127	190	18.92	14	70	-	90	-	8	19	4	10	-	F07	-	BF4690-100105
6" (DN150)	240	56	139	212	18.92	14	70	-	90	-	8	23	4	10	-	F07	-	BF4690-100106
8" (DN200)	295	60	174	236	22.10	22	102	-	125	-	12	23	4	12	-	F10	-	BF4690-100107
10" (DN250)	355	68	203	265	28.45	22	102	-	125	-	12	28	4	12	-	F10	-	BF4690-100108

ECONOMY WRAS APPROVED

WAFER BUTTERFLY VALVE



**TABLE 2: DIMENSIONS IN MM
GEARBOX**

NPS (DN)	C	L	H	H1	A	S	D1		D2		N	M	N1	M1		ISO5211		SKU
							1	2	1	2				1	2	1	2	
1-1/2" (DN40)	110	33	65	120	12.60	11	50	70	65	90	4	19	4	7	10	F05	F07	BF4690-100110
2" (DN50)	125	43	80	140	12.60	11	50	70	65	90	4	19	4	7	10	F05	F07	BF4690-100111
2-1/2" (DN65)	145	46	89	150	12.60	11	50	70	65	90	4	19	4	7	10	F05	F07	BF4690-100112
3" (DN80)	160	46	95	158	12.60	11	50	70	65	90	8	19	4	7	10	F05	F07	BF4690-100113
4" (DN100)	180	52	114	176	15.77	14	70	-	90	-	8	19	4	10	-	F07	-	BF4690-100114
5" (DN125)	210	56	127	190	18.92	14	70	-	90	-	8	19	4	10	-	F07	-	BF4690-100115
6" (DN150)	240	56	139	212	18.92	14	70	-	90	-	8	23	4	10	-	F07	-	BF4690-100116
8" (DN200)	295	60	174	236	22.10	22	102	-	125	-	12	23	4	12	-	F10	-	BF4690-100117
10" (DN250)	355	68	203	265	28.45	22	102	-	125	-	12	28	4	12	-	F10	-	BF4690-100118
12" (DN300)	410	78	242	305	31.60	22	102	-	125	-	12	28	4	12	-	F10	-	BF4690-100109

ECONOMY WRAS APPROVED

WAFER BUTTERFLY VALVE

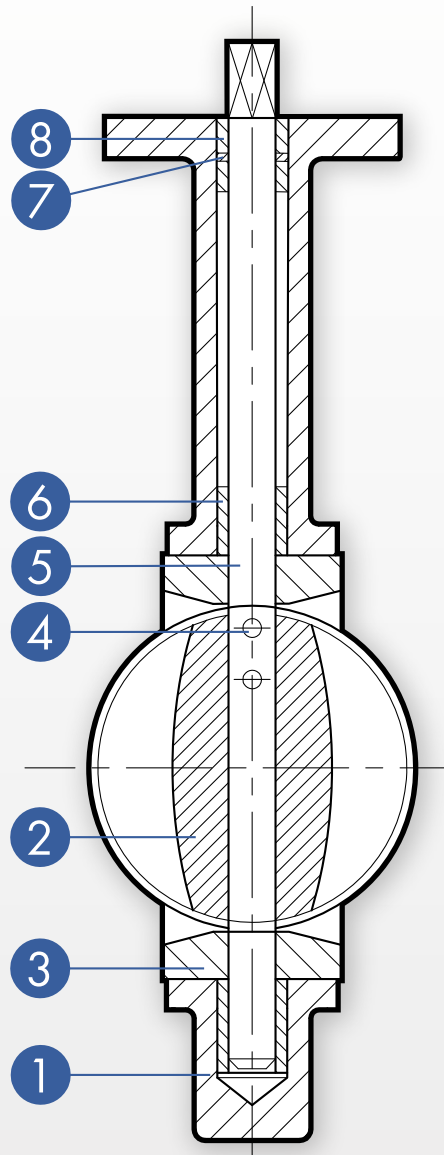


TABLE 3: MATERIALS

ITEM	PARTS	MATERIAL
1	Body	DI
2	Disc	ASTM A351-CF8M
3	Seat	WRAS EPDM
4	Pin	SS 316
5	Stem	SS 416
6	Long bushing	FRP
7	O-ring	NBR
8	Short bushing	FRP

ECONOMY WRAS APPROVED
WAFER BUTTERFLY VALVE
TABLE 4: TORQUE REQUIRED TO ACTUATE VALVE

SIZE NPS (DN)	TORQUE IN WATER		TORQUE IN AIR	
	10 BAR (Nm)	16 BAR (Nm)	10 BAR (Nm)	16 BAR (Nm)
2 (DN50)	13	14	15	16
2-1/2" (DN65)	16	18	19	22
3" (DN80)	23	24	27	29
4" (DN100)	39	42	46	53
5" (DN125)	61	66	82	90
6" (DN150)	100	109	175	205
8" (DN200)	183	204	227	252
10" (DN250)	304	343	402	444
12" (DN300)	455	521	611	708