



3/2 Way Normally Closed Brass Solenoid Valve Sizes 1/4" - 1 1/2"

- Screwed BSP, 1/4" - 1 1/2"
- Normally Closed 3/2 Way
- Brass Body, NBR Seals
- Servo Assisted. 1 - 16 Bar
- Manual Override Included
- Suitable for Air, Gases and Liquids

> Description

The valve 6430 is a servo-assisted 3/2-way piston solenoid valve that requires a minimum differential pressure to operate correctly and is suitable for neutral liquids and gases in the pressure range 1-16 bar in the normally closed function.

The Type 6430 is available from 1/4" up to 1 1/2" and is supplied in Brass body with NBR seals (other seals available). The valve is equipped with a manual override for start-up or manual operation. A maintenance-free, media-separated 3/2-way pivoted armature valve Type 0331 is used as a pilot valve. In combination with a plug to DIN EN 175301 - 803 Form A, the valves satisfy degree of protection IP65.

There are many options for this valve which include Normally Open versions, low power, vacuum versions and ATEX coils. For more information contact our sales department.

Valve supplied with 2518 cable plug.

Description

This 3/2 way solenoid valve is offered in the normally closed, power to open function. Brass body with NBR seals. Most frequently used for diverting fluids and gasses, offering a fast acting, reliable valve, that's easy to operate and install and in large sizes.

Beschreibung

Dieses 3/2-Wege-Magnetventil wird in stromlos geschlossener, stromlos öffnender Funktion angeboten. Messinggehäuse mit NBR-Dichtungen. Wird am häufigsten zum Umleiten von Flüssigkeiten und Gasen verwendet und bietet ein schnell wirkendes, zuverlässiges Ventil, das einfach zu bedienen und zu installieren ist und in großen Größen erhältlich ist.

Descripción

Esta electroválvula de 3/2 vías se ofrece en la función normalmente cerrada de potencia para abrir. Cuerpo de latón con juntas de NBR. Se utiliza con mayor frecuencia para desviar fluidos y gases, ofreciendo una válvula confiable y de acción rápida, fácil de operar e instalar y de gran tamaño.

Description

Cette électrovanne 3/2 voies est proposée dans la fonction d'ouverture normalement fermée. Corps en laiton avec joints NBR. Le plus souvent utilisé pour détourner les fluides et les gaz, offrant une vanne fiable et à action rapide, facile à utiliser et à installer et dans de grandes tailles.

General Technical Data

Product Properties

Material	
Body	Brass (DN8...DN20), gunmetal (DN25...DN40)
Coil	Epoxy
Seal	NBR, PUR, FKM, EPDM (on request)
Orifice	DN8, DN12, DN20, DN25, DN40
(Thermal) Insulation class for coil	H

Electrical data

Voltage tolerance	±10%
Duty cycle	Continuous rating 100% ED (unless otherwise specified on the type plate)
Protection class	IP65 with cable plug, cable connection or junction box
Power consumption	
Standard version, vacuum version and external air controlled version	Inrush AC: 30 VA
	Hold AC: 15 V/8W
	DC cold/warm: 11W/8W
Vacuum version low-power	DC cold/warm: 3.4W/2W
Impulse version	Hold AC: 20VA/11W
	DC cold/warm: 11W/8W
Explosion-proof version	Inrush/Hold: 40W/3W

Performance data

Response times	
DN8	Opening: 25ms Closing: 30ms
DN12	Opening: 30ms Closing: 60ms
DN20	Opening: 35ms Closing: 270ms
DN25	Opening: 50ms Closing: 300ms
DN40	Opening: 80ms Closing: 740ms

Medium data

Medium	
Standard version	Neutral media such as compressed air, water, low-viscosity oils Oil- and grease-free media with EPDM
Vacuum version and external air controlled version	Neutral gases, compressed air, vacuum (low-vacuum)
Medium temperature	
NBR	0°C...+80°C
PUR	0°C...+80°C
FKM	0°C...+90°C
EPDM	0°C...+90°C
Viscosity	Max. 21 mm ² /s

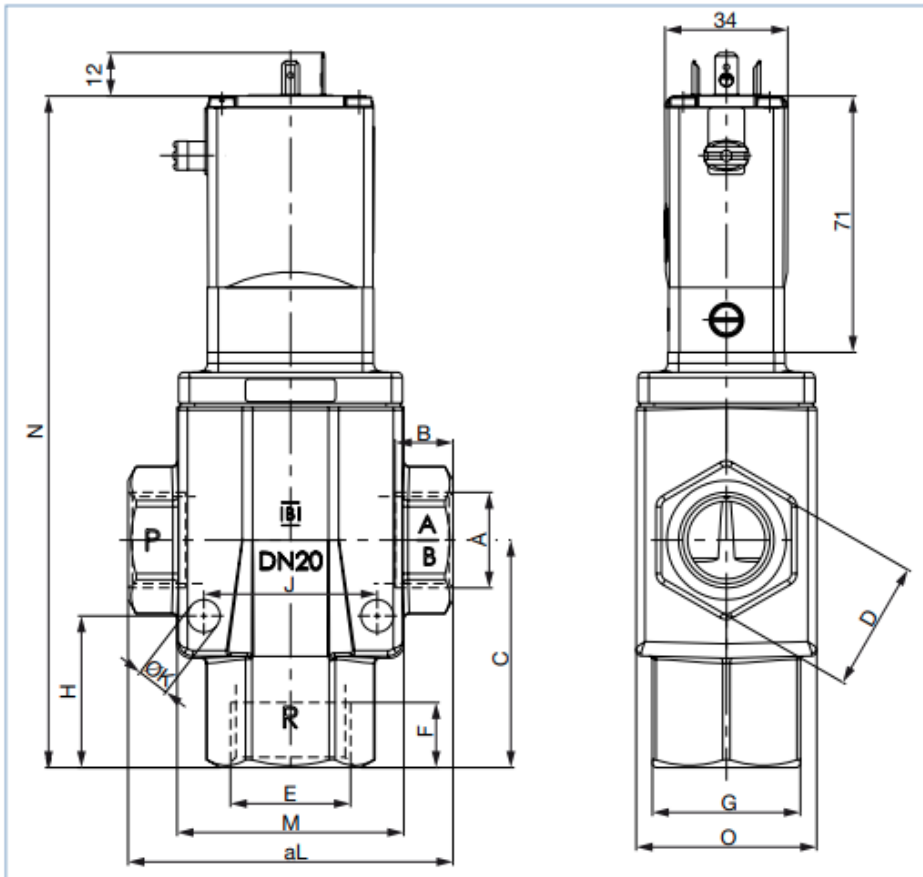
Approvals and certificates

Ignition protection type (ATEX and IECEx)	
with cable	II 2G Ex mb IIC T4 Gb II 2D Ex mb IIC T130°C Db
with terminal box	II 2G Ex eb mb IIC T4 Gb II 2D Ex mb tb IIC T130°C Db

Product connections

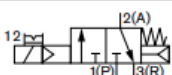
Port connection	G 1/4, G 1/2, G 3/4, G1 G 1 1/2 (NPT on request)
Electrical connection	
Standard version, vacuum version and external air controlled version	Tag connector acc. To DIN EN 175 301 - 803 Form A for cable plug Type 2518
Vacuum version low-power	Tag connector acc. To DIN EN 175 301 - 803 Form C for cable plug Type 2516
Explosion-proof version	With cable outlet 3 x 0.5 mm ² or terminal box

- Dimensions in mm
- The dimensions A1, B1, E1 and F1 apply to G threads
- The dimensions A2, B2, E2 and F2 apply to NPT threads
- The figure shows the valve in circuit function C with ports P, R and A/B (manual override via port P)
- In circuit function D, the manual override is located above port A/B



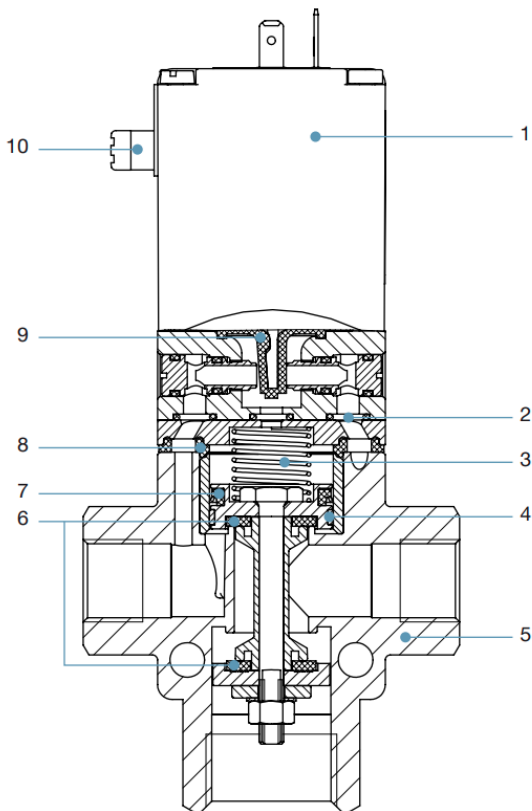
DN	A1	B1	A2	B2	C	D	E1	F1	E2	F2	G	H	J	K	L	M	N	O
8	G 1/4	12	NPT 1/4	10	34.5	SW22	G 3/8	12	NPT 3/8	10.3	SW22	23	30	7	65	46	124.8	33
12	G 1/2	14	NPT 1/2	13.7	47	SW27	G 3/4	16	NPT 3/4	14	SW32	31	34	7	76	46	150.5	33
20	G 3/4	16	NPT 3/4	14	63	SW36	G 1	18	NPT 1	16.8	SW41	42	48	9	90	63	186	50
25	G 1	18	NPT 1	16.8	74.5	SW41	G 1 1/4	20	NPT 1/4	17.3	54	44	66	9	110	82	210.5	60
40	G 1 1/2	22.5	NPT 1 1/2	17.3	104	SW55	G 2	26.5	NPT 2	17.6	78	65	93	13	153	117	246	88

Circuit function	Port connection P and A/B	Orifice mm	K _v value	Pressure	Weight [kg]
			water [m ³ /h] ^{1.)}	range [bar] ^{2.)}	
G-inner thread, seal material NBR (DN12 seat seal PUR / external sealing NBR)					
C, solenoid valve	G 1/4	8	0.95	1...16	0.9
3/2 way	G 1/2	12	2.6	1...16	1.1
Servo-controlled	G 3/4	20	6.2	1...16	2.2
with manual mode	G 1	25	10	1...10	2.8
Normally closed	G 1 1/2	40	22.8	1...10	6.1



All information is sourced from our manufacturer's data and is intended for guidance only - Valves Online can accept no liability for changes, omissions or errors.

> Standard and vacuum version



No.	Element	Material
1	Coil	Epoxy
2	O-rings	NBR, FKM, EPDM
3	Spring ^{1.)}	1.4310 stainless steel
4	Piston ring	PTFE
5	Housing	Brass, Gunmetal
6	Seat seal	NBR, PUR, FKM, EFPDM
7	Piston seal	NBR, FKM, EPDM
8	Seal	NBR, FKM, EPDM
9	Diaphragm	NBR, FKM, EPDM
10	Manual override	PA

1.) Only for the vacuum version.

All information is sourced from our manufacturer's data and is intended for guidance only - Valves Online can accept no liability for changes, omissions or errors.

